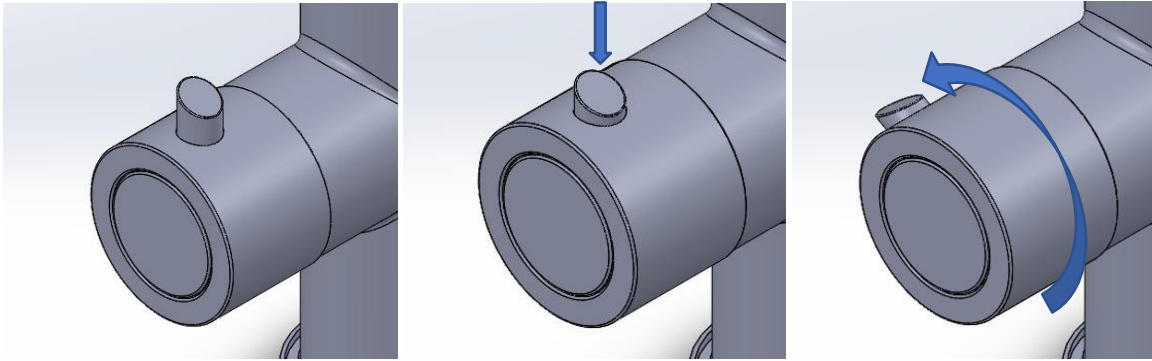


wödär[®]

Tap Operation

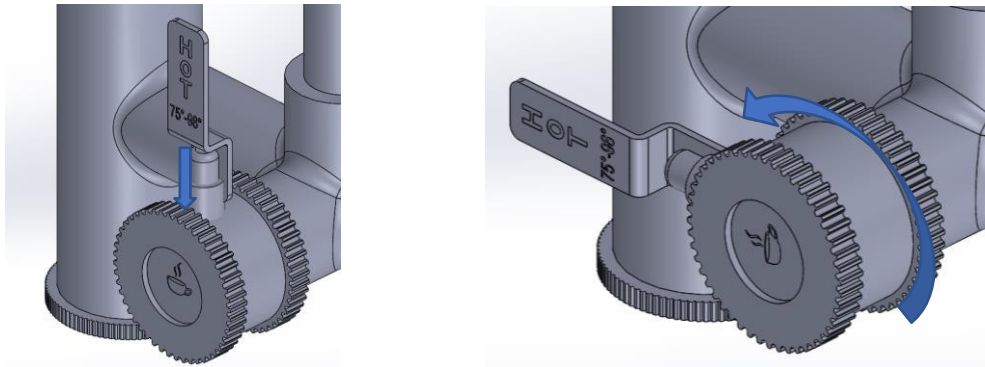
Instant Hot

Design 3-in-1/4-in-1



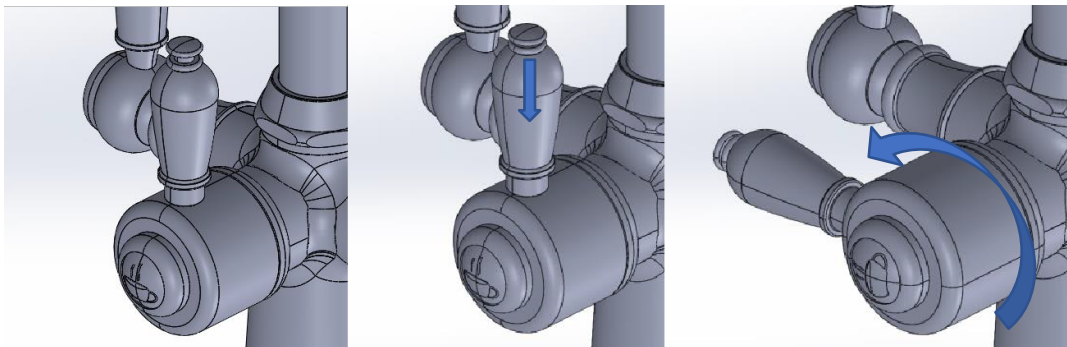
To operate this handle, it requires a firm force being pushed down on the spring-based button followed by a first twist away from the front, pushing all the way to activate the Boiler feed water.

Architect



For this Handle first press the HOT tab downward, then rotate the handle left to activate the Boiler feed water.

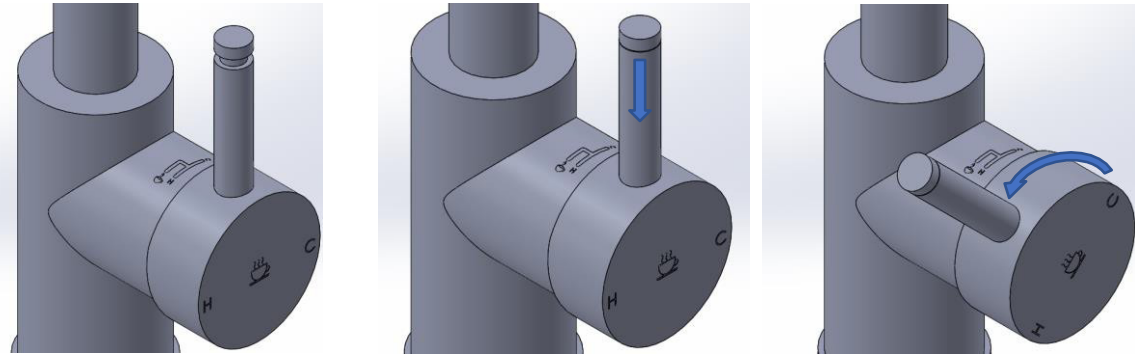
Heritage



To operate this taps boiler, press down the button on the handle and rotate to the left.

wödår[®]

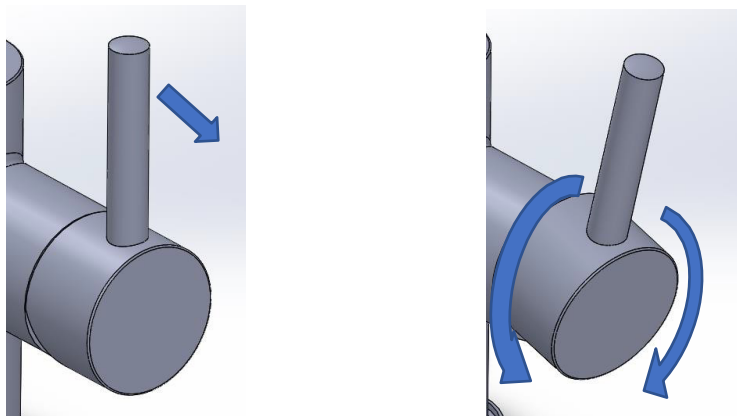
Sleek / ProFlex Single Lever with Button



To operate this single lever, first you press the button and then pull as indicated on the body of the tap.

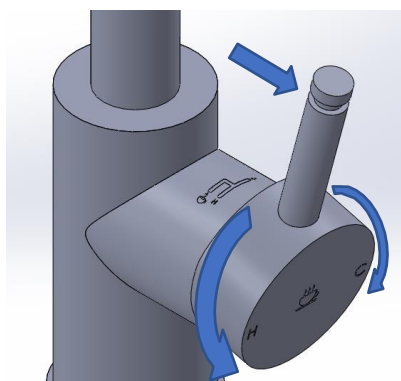
H/C Mixer Handle

Design 3-in-1/4-in-1



Pull the lever away from the body of the tap for mixed H/C water. Rotate Towards the indicated H for Hot water or C for Cold water to adjust the mixing of the tap.

Sleek / ProFlex Single Lever with button

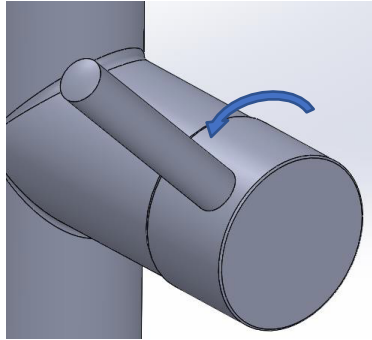


To operate this single lever, first push out the handle and pull either forward or backwards as shown by the indicator on the body.

wödår®

Filter Use

Design+ 4-in-1



To operate the Filtered water on the 4-in-1 Tap, pull the H/C handle forward.