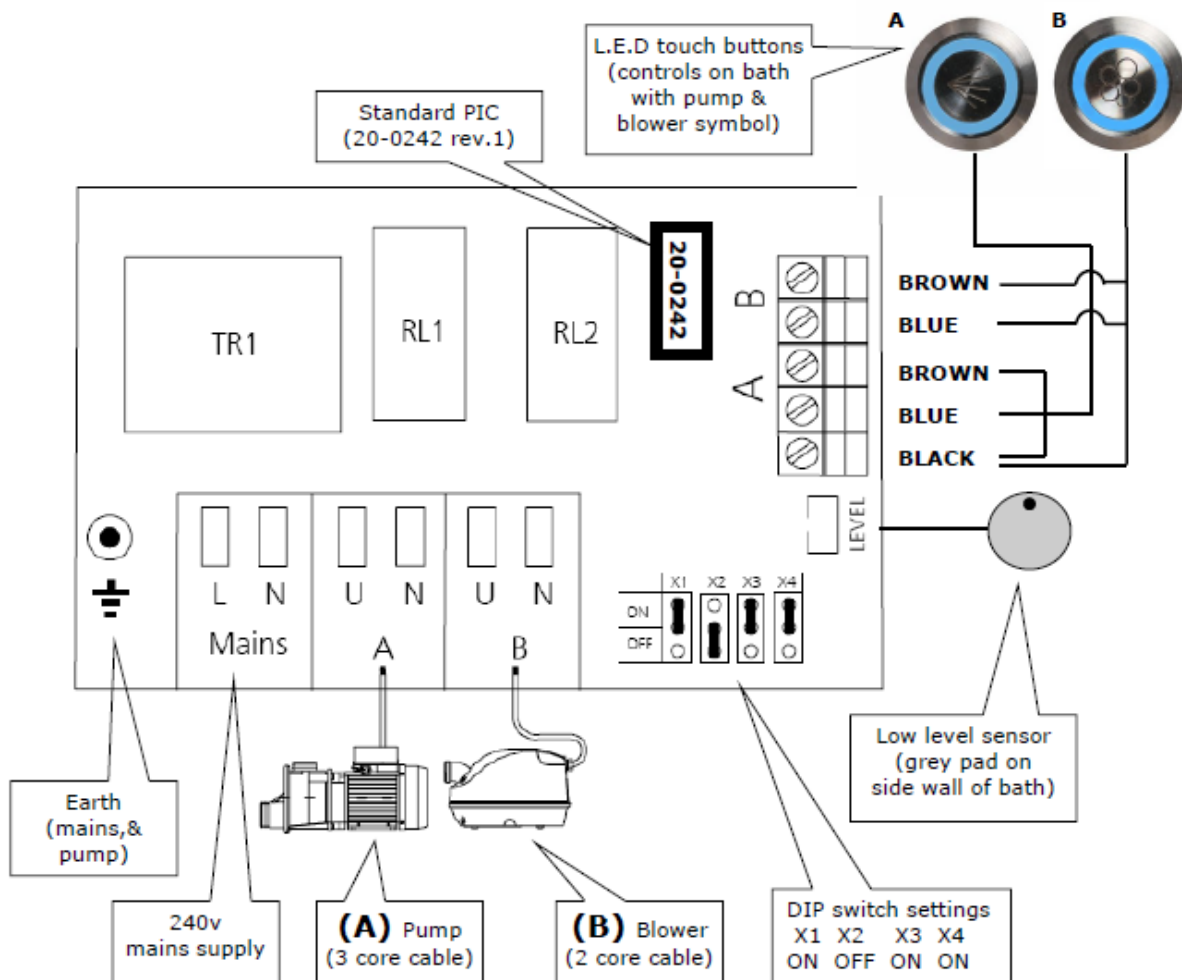


Wiring diagram for Control System 200 Whirlpool (WP200)

- Switch box** - 2 function classic line (20-0242)
- Controls**
 - (A) Blue L.E.D with pump symbol (21-1640-5)
 - (B) Blue L.E.D with blower symbol (21-1650-5)
- Low Level Sensor** - Grey 5v (25-0211-5)
- PIC Chip** - Standard PIC (20-0242)



Check out our full range of Bathroom Suites

Bathroom Suites By Range

Cloakroom Suites

Toilets

Bathroom Sinks / Wash Basins

Bidets

Baths

Wide variety of toilets

Close Coupled Toilets

Wall Hung Toilets

Back To Wall Toilets

Furniture unit toilets

Huge Selection of Baths

Acrylic Baths

Steel Baths

Shower baths

Freestanding baths

Small baths

Corner baths

Whirlpool baths

Don't forget the important bathroom suite extras

Bath panels

Toilet seats

plumbworld
Big brands, small prices.