

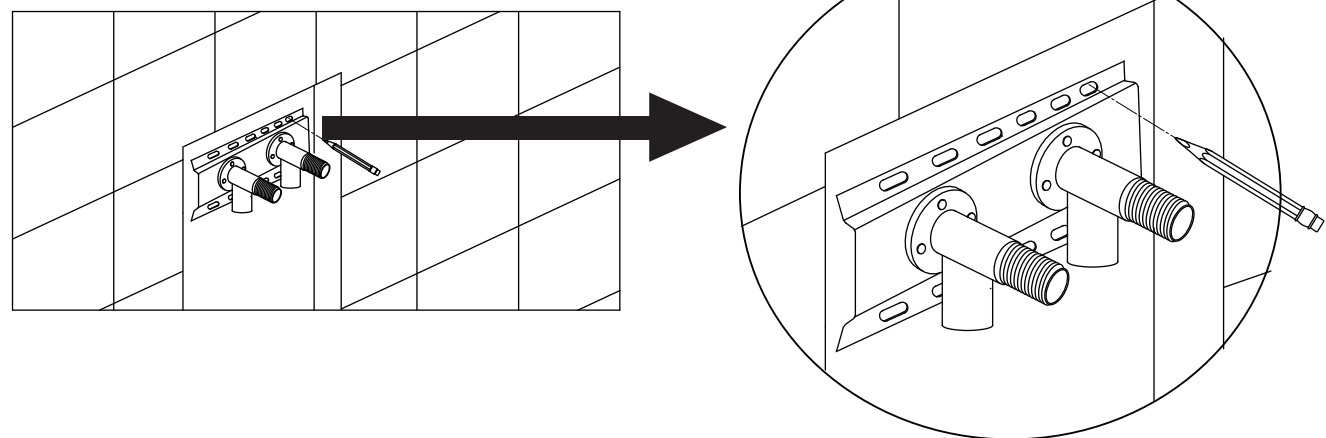
Remove top screws and remove piece 1.
Remove piece 2 and place both parts and screws to one side.

Product List

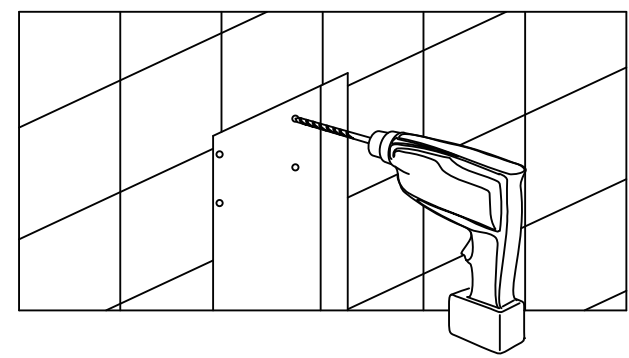
 1x	 1x	 1x	 8x	 8x	 8x
--------	--------	--------	--------	--------	--------

Note: Always check the walls for pipes and wires before drilling.

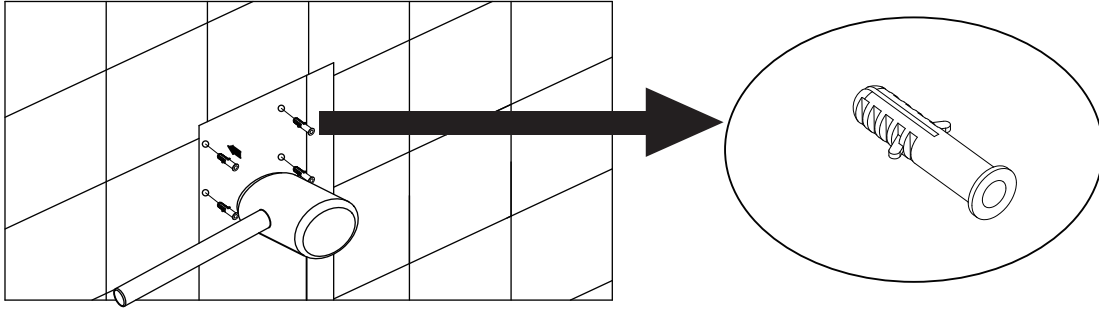
Step 1: Mark the holes



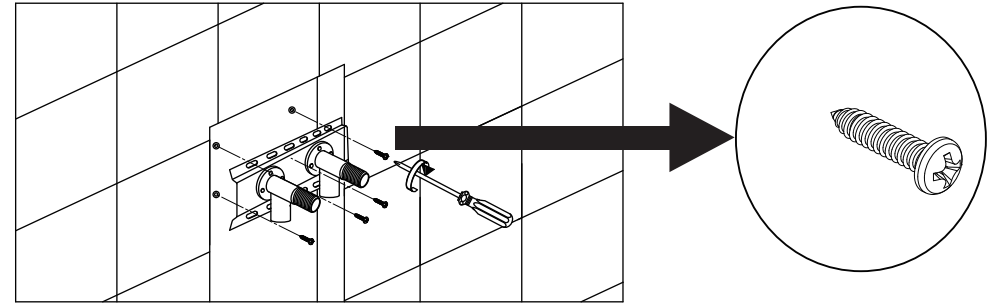
Step 2: Drill the holes in the wall



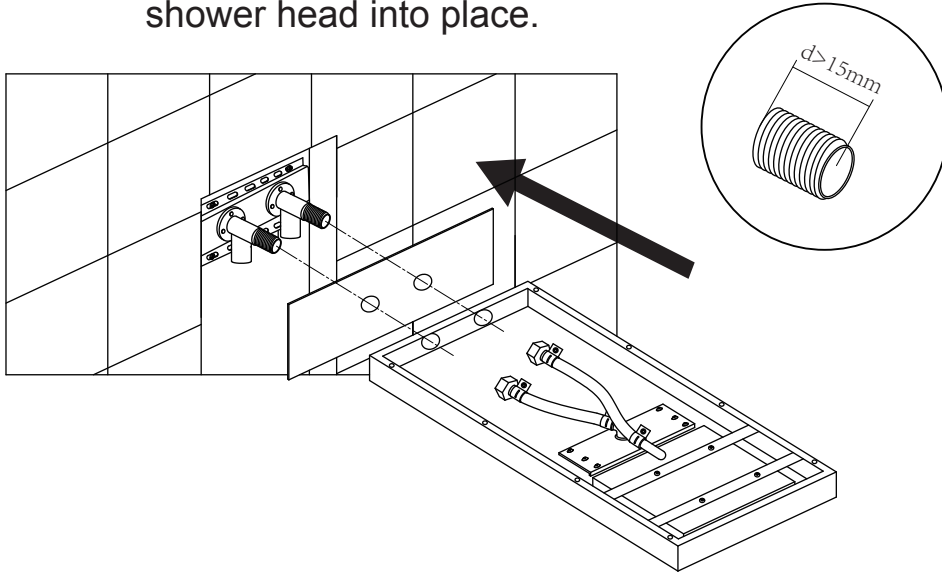
Step 3: Insert the wall plugs inside the holes



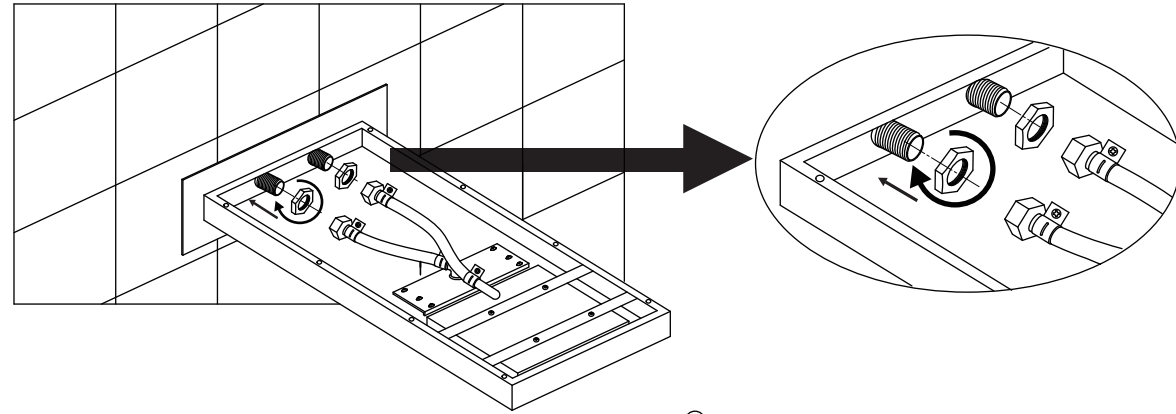
Step 4: Secure the wall mounting bracket to the wall with screws.



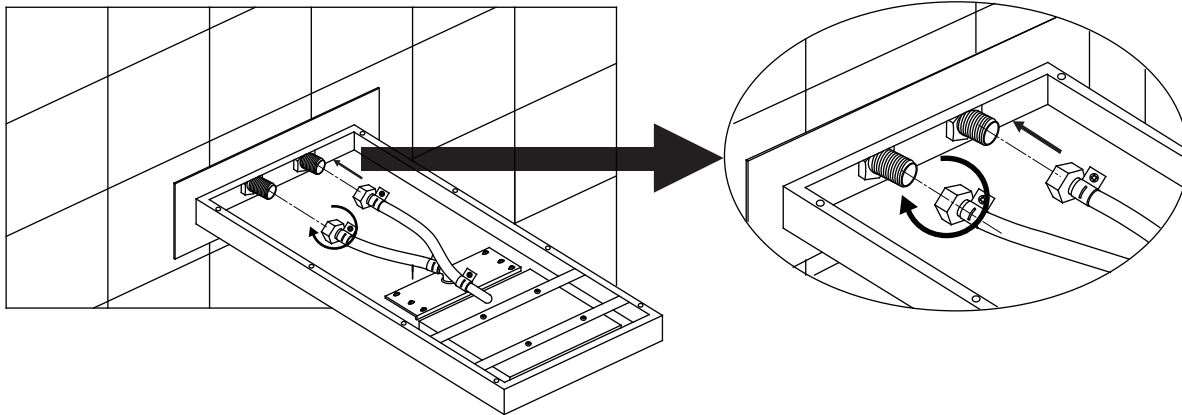
Step 5: Move the cover cap (part 2) and shower head into place.



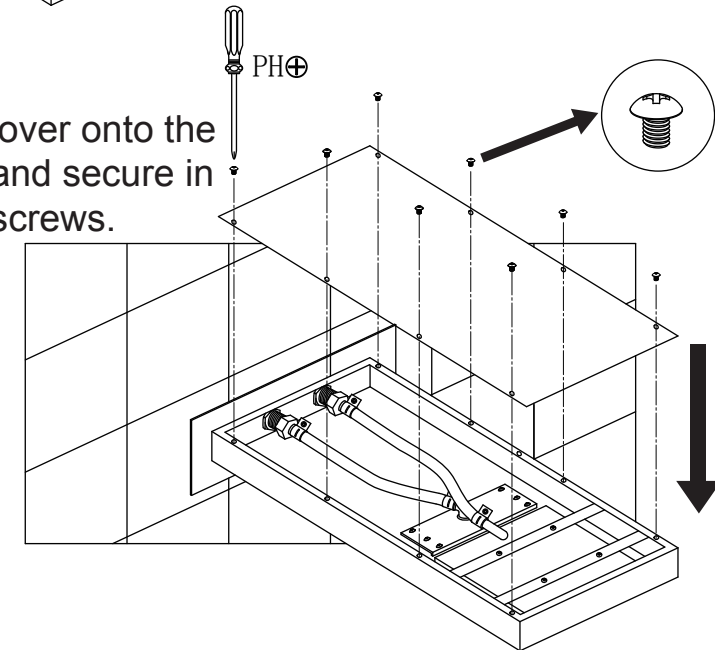
Step 6: Secure the shower head in place by attaching and tightening the nuts.



Step 7: Connect the hoses to the threaded pipes.



Step 8: Place part 1 cover onto the shower head and secure in place with all screws.



Check out our full range of Showers

Electric Showers

Digital Showers

Mixer Showers

Power Showers

Smart Showers

Shower Towers

From Top Shower Brands

Mira Showers

Aqualisa Showers

Triton Showers

Gainsborough Showers

Shower Pumps can upgrade your showering experience even more

Stuart Turner Shower Pumps

Salamander Shower Pumps

Grundfos Shower Pumps

plumbworld
Big brands, small prices.