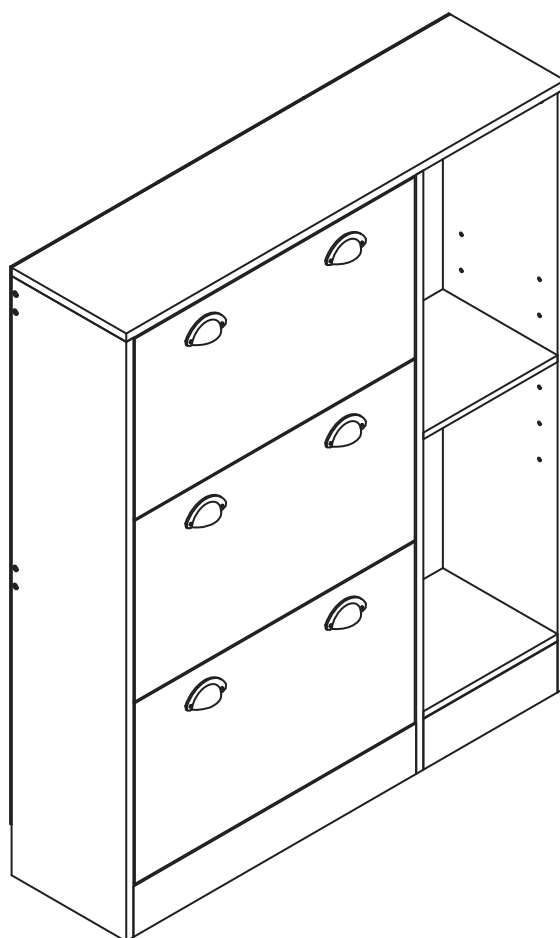


Hi there,

Meet your new
Lloyd Pascal
Shoe Cabinet

lloyd Est
1919
pascal
we love home



Customer Helpline

If you need help or have damaged or missing parts, call our customer helpline
0121 776 5720

or visit our website at www.lloydpascal.com

Assembly instructions- Please keep for future reference

225.80.980M

225.94.980M

225.95.980M

Issue 2-23.02.2022

#welovehome

lloyd pascal

Est
1919

we love home

**Welcome to
the Lloyd
Pascal family
established
in 1919**

We would love to see your new product in its new home. **Share your experience** by taking a photo or video of your new LP product and **post it on social media tagging** #welovehome #Lloydpascal #LPfurniture #LPHome

Connect with us: Using your mobile camera, scan the QR bar code below of your favourite social media channel and follow us!



Are you loving/satisfied with your new purchase?

Yes: That's perfect. **It would make our day** if you could leave us a **review on our social media channels**. Your feedback will help us develop even better products to love.

No: If for any reason your enjoyment of our product is on hold then **let the retailer** that you purchased your item from know **or contact us** and we will resolve your issue as quickly as possible.

To view our full terms and conditions please visit our website

www.lloydpascal.com

#welovehome

Safety and Care Advice

IMPORTANT, RETAIN FOR FUTURE REFERENCE: READ CAREFULLY.

- Keep children and animals away from the work area small parts are a choking hazard if swallowed.
- Make sure you have enough space to layout the parts before starting.
- This product has been constructed to be used in the domestic environment only and not for commercial purposes.

- Assemble the item as close to its final position (in the same room) as possible.
- Assemble on a soft level surface to avoid damaging the unit or your floor.
- The surface should be protected from liquids, heat or cold by using a coaster or mat. The surface is not water resistant and may be damaged or discoloured if not protected.



- We do not recommend the use of power drill/drivers for inserting screws as this could damage the unit. Only use hand screwdrivers.

- Parts of the assembly will be easier with 2 people.
- Dispose of all packaging carefully and responsibly.

Care and maintenance

- Only clean using a damp cloth and mild detergent. Do not use abrasive cleaners.
- From time to time check that there are no loose screws, nuts or bolts. If there are please re-tighten.
- This product should not be discarded with household waste. Take to your local authority waste disposal centre.

Additional Guidance

- Assemble all parts and bolts loosely during assembly, only once the product is complete should you fully tighten the bolts.
- Regularly check and ensure that all bolts and fittings are tightened properly.

WARNING

In order to help prevent overturning- please follow these instructions

To help prevent product toppling over please follow the steps below:

- Must use the anti tip strap or wall fixing method provided (whichever applies)
- Do not allow children to climb or hang on the furniture
- Do not open more than one drawer at a time
- Do not place heavy items in the top drawer
- Do not place heavy items on top of the furniture, unless the furniture has been designed for this purpose

Please note that only the anti tip strap is provided. You will need to supply wall plugs and screws applicable for your wall type.

Fittings

Please check that you have all the fittings listed below:

NOTE: The quantities below are the correct amount to complete the assembly. In some cases more fittings may be supplied than required.

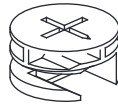
Bag 1

A



35mm Male camlock x 10

B



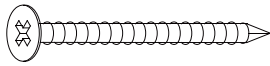
Female Camlocks x 10

C



30mm Dowel x 4

D



35mm Screw x 14

E



Back panel nali x26

F



50mm Dowel x 2

G



x 6

H



14mm Screw x 50

I



x 3

J



x 3

K



x 6

L



Handle x 6

M



Wall plug x 2

N



12mm Screw x 6

O



Cap sticker x10

P



Plastic wedge x 1

Q



Wall strap x 2

R



Shelf Supporter x4

S



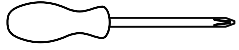
x 6

T

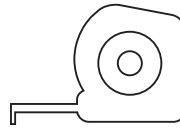


12mm Screw x 2

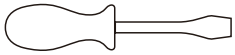
Tools required



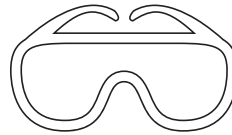
Phillips screwdriver
(small & medium)



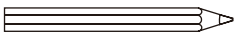
Ruler/tape
measure



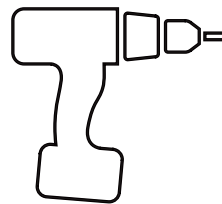
Flathead screwdriver
(small & medium)



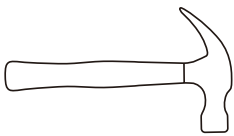
Eye protection
(when using a hammer or
glue)



Pencil

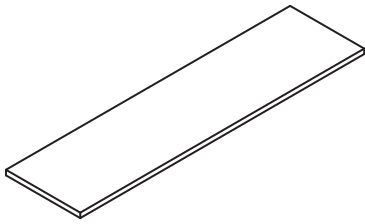


Power drill



Large hammer

Hardware



1 Top panel x 1
(90(w) x 23.6(d) cm)



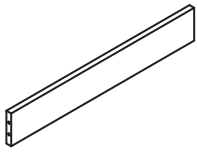
2 Left side panel x 1
(106.5(w) x 23.5(d) cm)



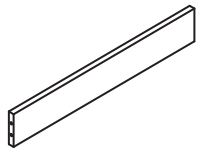
3 Middle panel x 1
(106.5(w) x 23.5(d) cm)



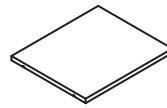
4 Right side panel x 1
(106.5(w) x 23.5(d) cm)



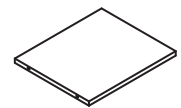
5 Bar panel x 2
(57.9(w) x 9(d) cm)



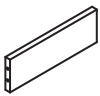
6 Bar panel x 1
(57.9(w) x 9(d) cm)



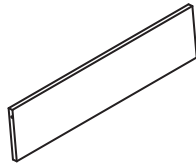
7 Removable panel x 1
(27.3(w) x 23.4(d) cm)



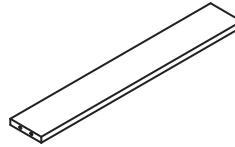
8 Fixable panel x 1
(27.4(w) x 23.4(d) cm)



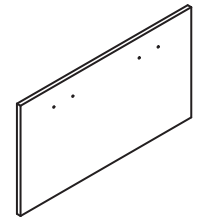
9 Bar panel x 1
(27.4(w) x 9(d) cm)



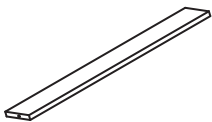
10 Shelf panel x 6
(56.7(w) x 13.5(d) cm)



11 Bar panel x 1
(57.9(w) x 9(d) cm)



12 Door panel x 3
(57.2(w) x 31.5(d) cm)

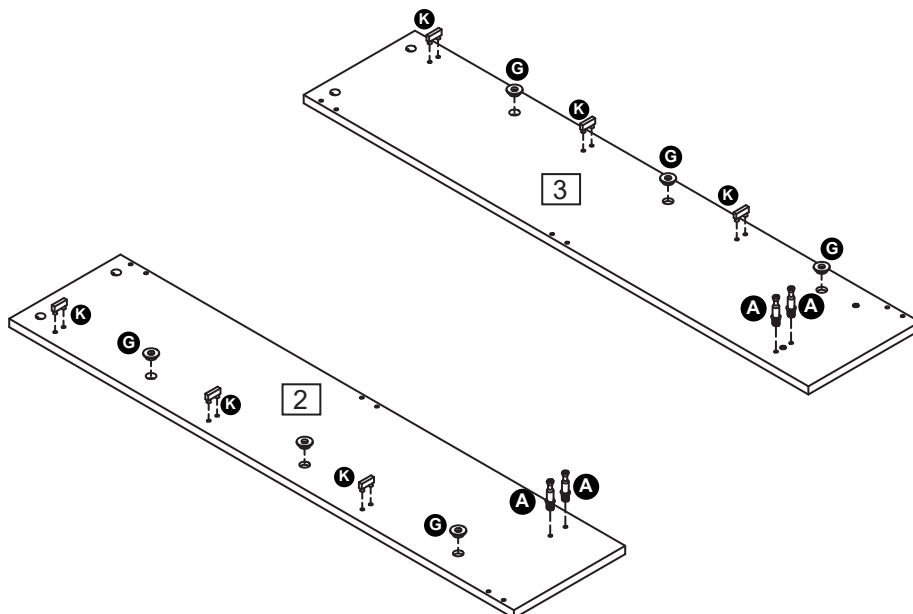
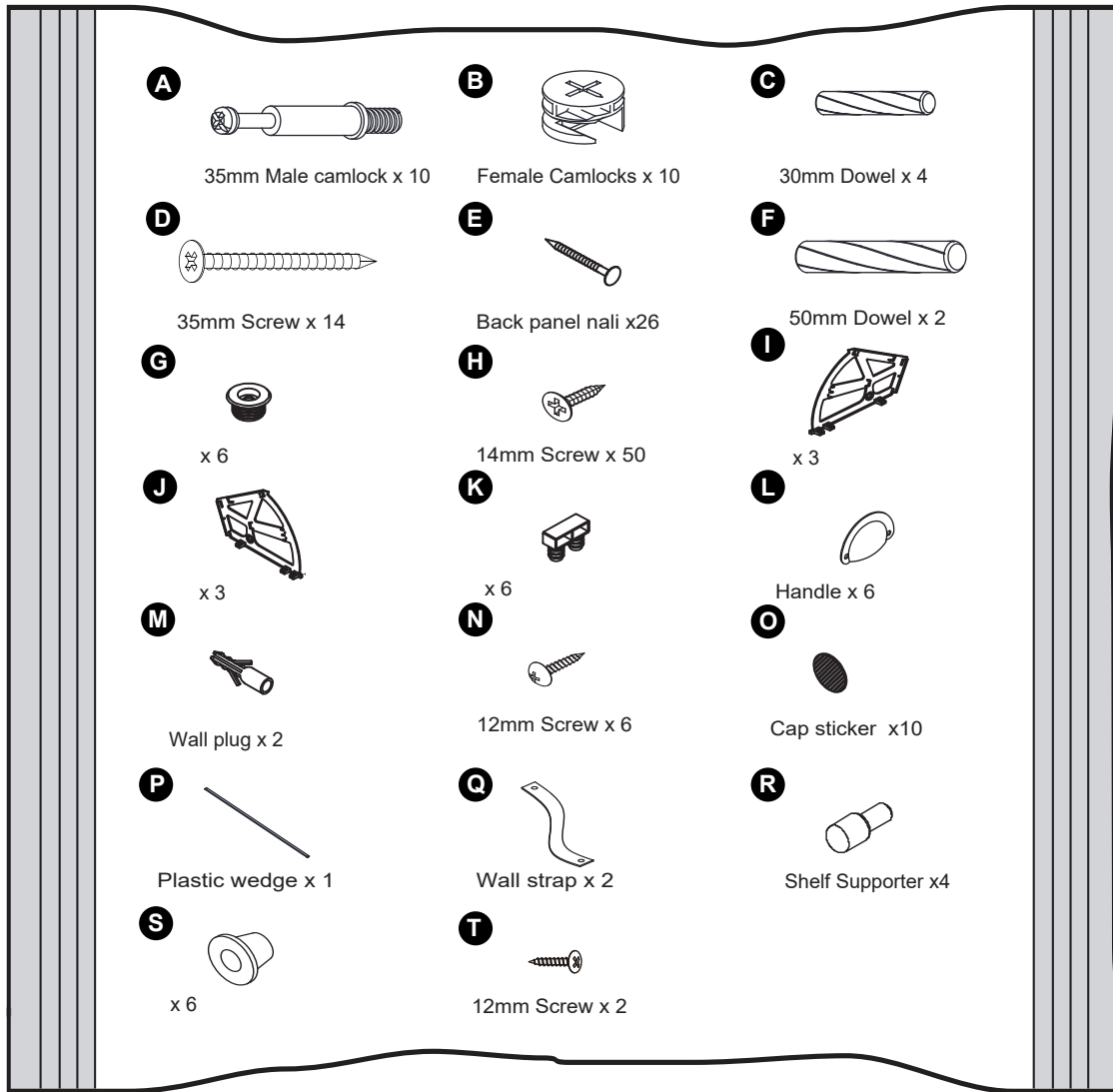


13 Bottom panel x 3
(56.7(w) x 8(d) cm)

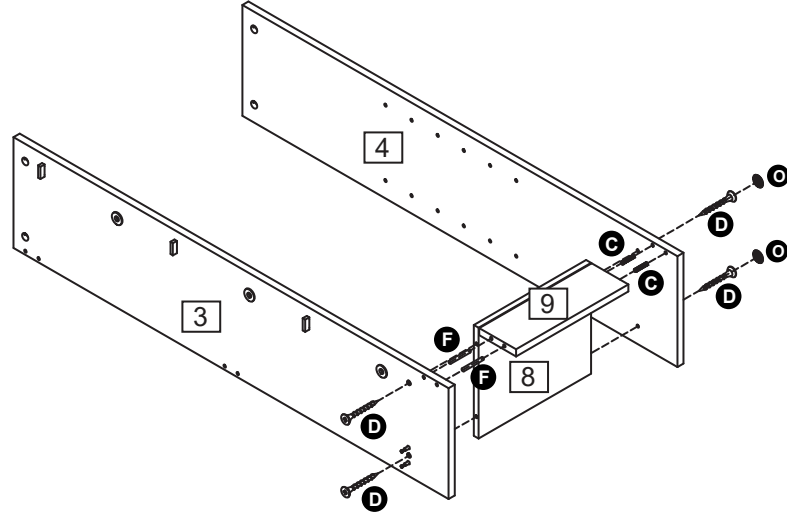
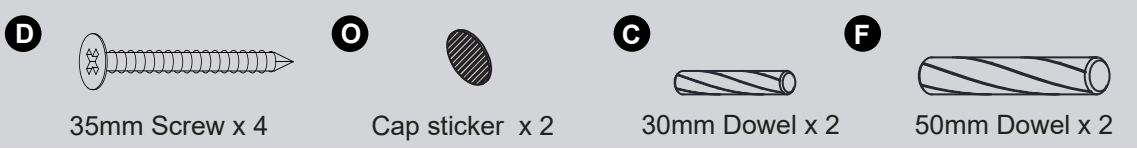


14 Back Panel x 3
(98.8(w) x 29.7(d) cm)

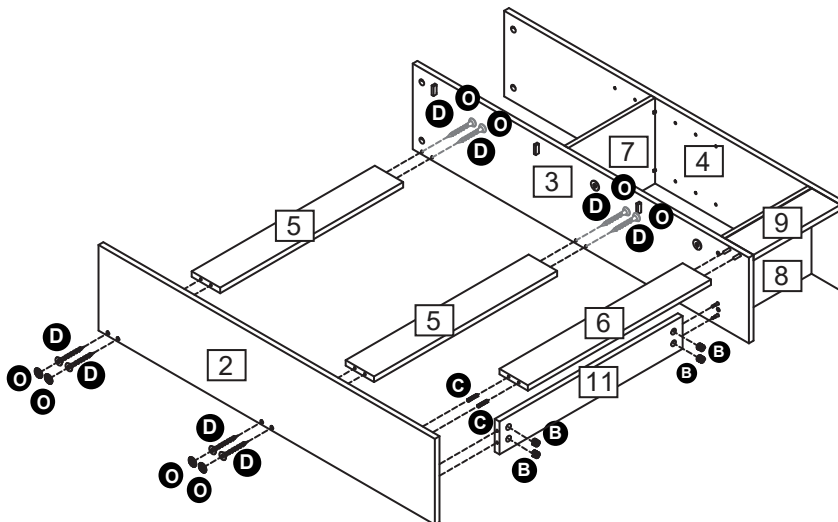
1



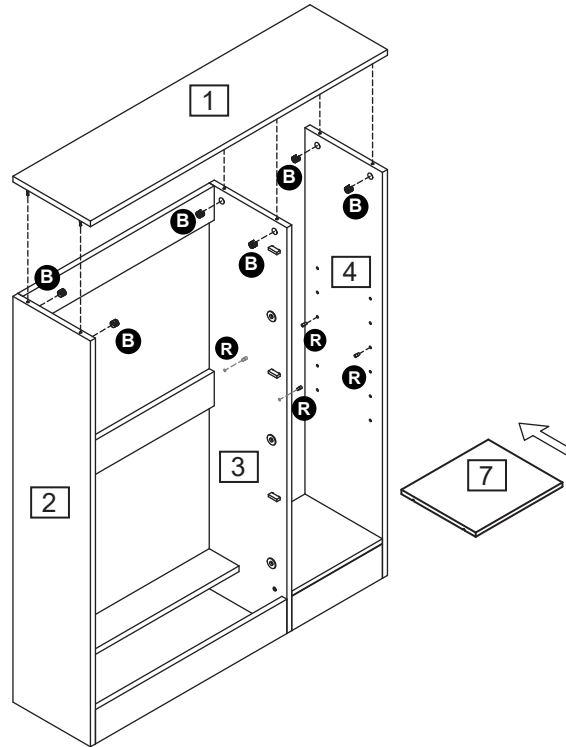
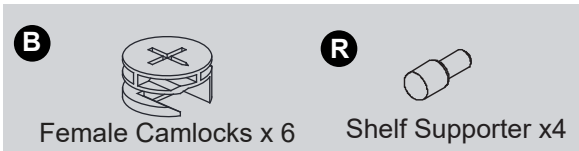
2



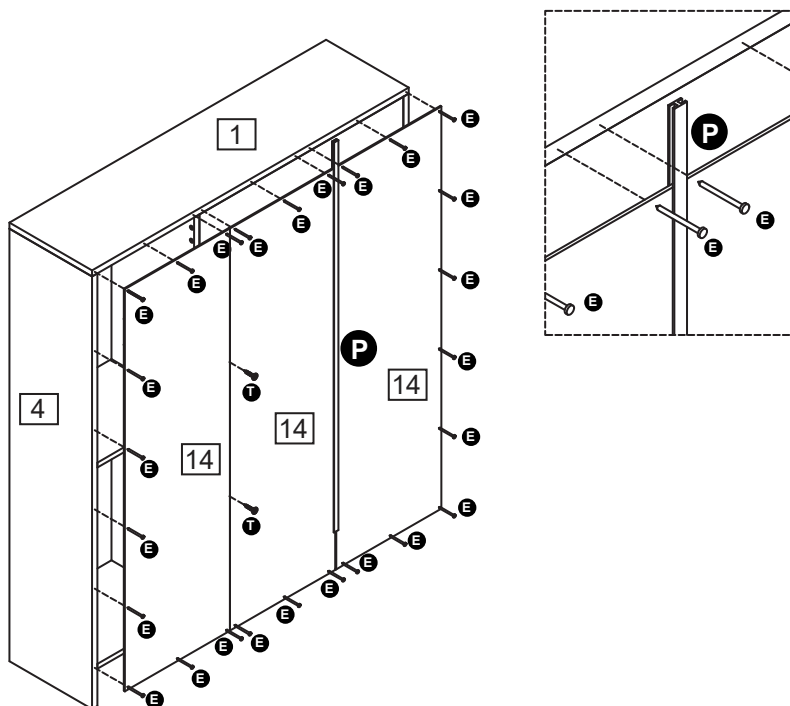
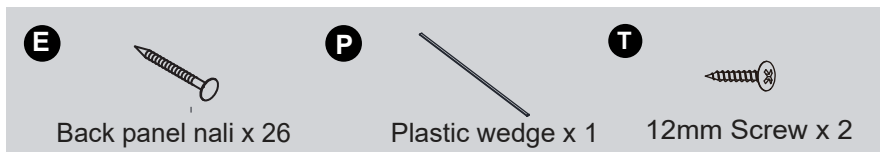
3



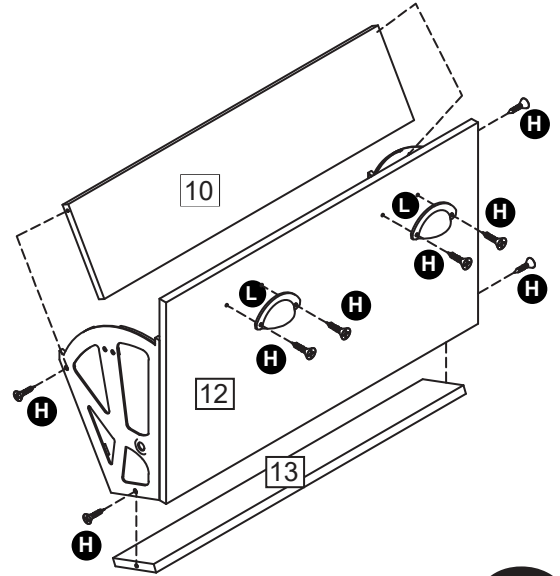
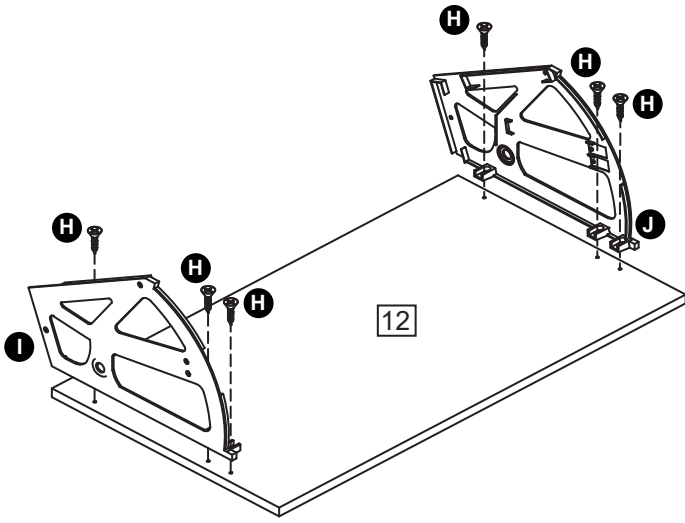
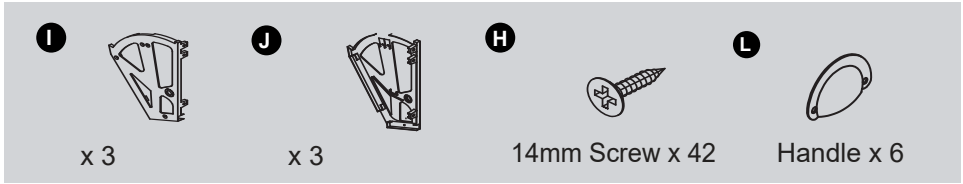
4



5

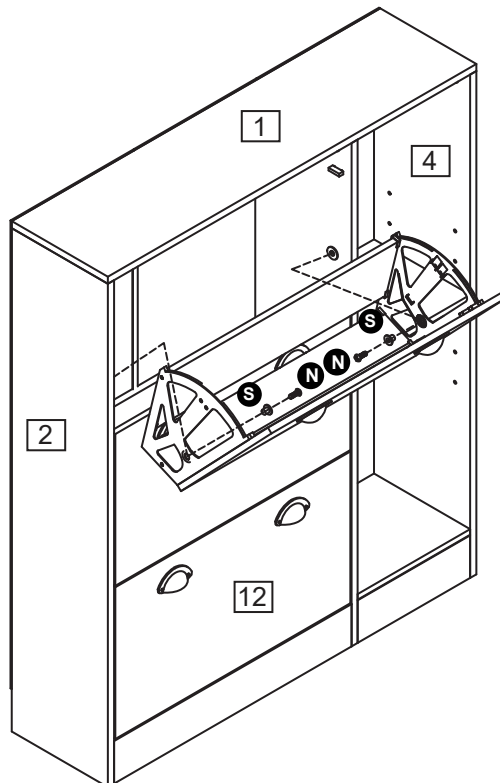


6



x3

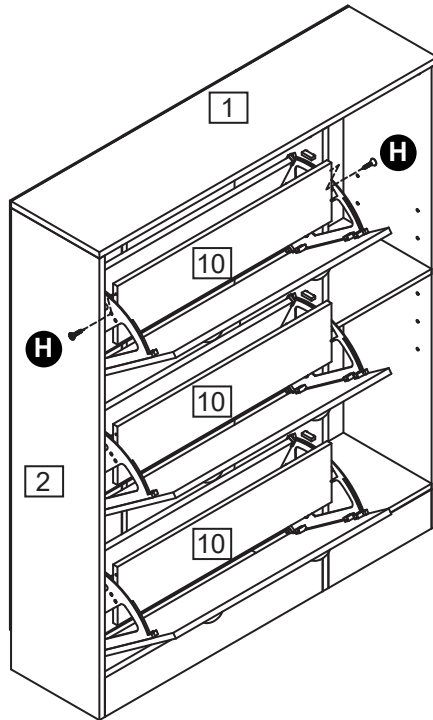
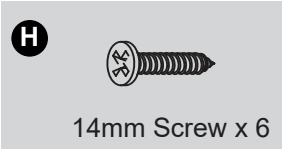
7



x3

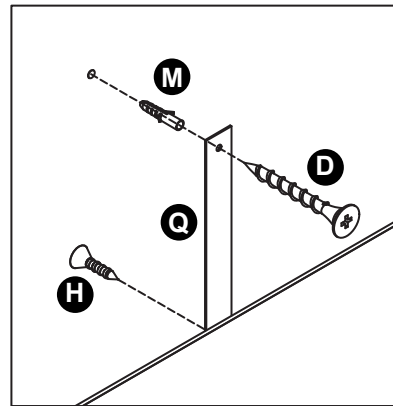
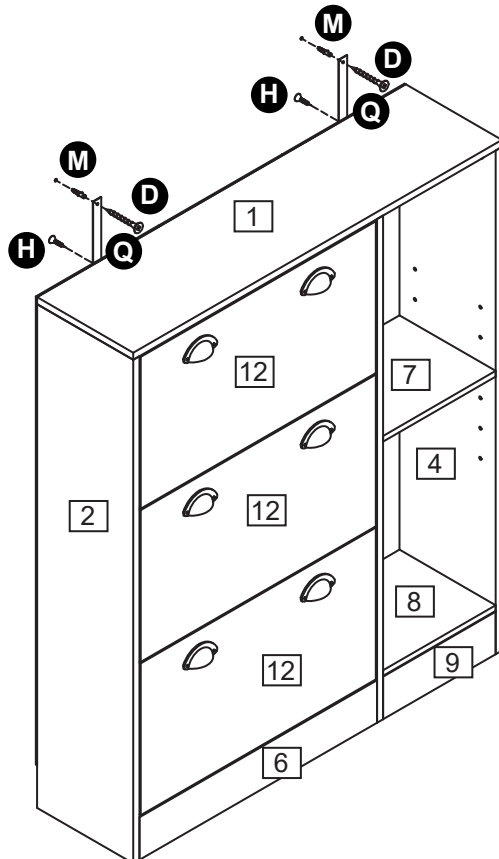
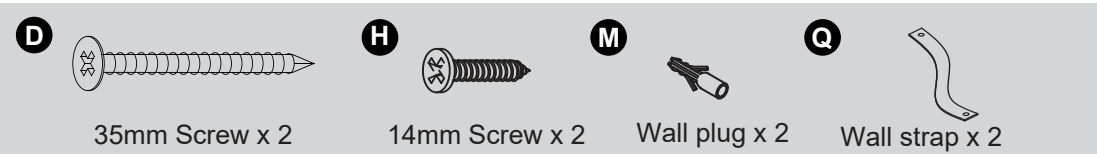
**lloyd
pascal** Est
1919
we love home

8



x3

9



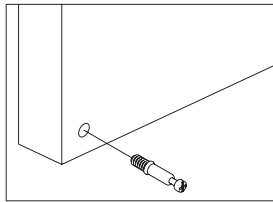
lloyd Est 1919
pascal
we love home

#welovehome

Using camlocks

Step 1

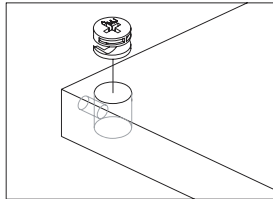
Connect the male camlock as directed in the assembly instructions using a screwdriver.



Step 2

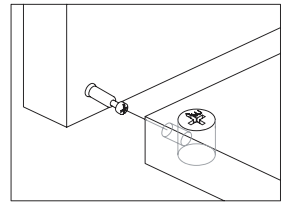
Insert the female camlock as shown in the instructions.

Note: Ensure that the arrow on the top of the camlock points towards the entry hole for the male camlock.



Step 3

Push the male camlock into every hole.

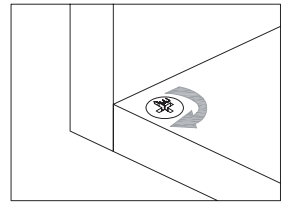


Step 4

Turn the female camlock with a screwdriver.

You should feel a click when the camlock is locked in place.

The joint is now secure.



A Guide to Wall Mounting & Fixings

Important note:

If plastic wall plugs (rawl plugs) are supplied with your product, eg:



- these are suitable for use in masonry walls

If you are in any doubt about the correct wall plugs for your wall, seek professional advice.

Failure of the product due to using the incorrect fixings is the responsibility of the installer.



Important: when drilling into walls always check that there are no hidden wires or pipes etc.



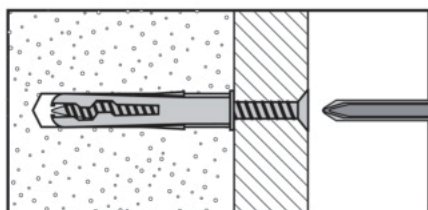
Hints:

1. General rule: always use a larger screw and wall plug if you are not sure.
2. Ensure you use the recommended drill bit to match the wall plug and hole size.
3. Ensure you drill the hole horizontally; do not force the drill or enlarge the hole.
4. Take extra care when drilling high walls, ceilings and ceramic tiles. Ensure wall plugs are inserted beyond the thickness of the ceramic tiles to avoid the tiles splitting or cracking.
5. Ensure wall plugs are well fitted and are a tight fit in the drilled hole.

Types of walls

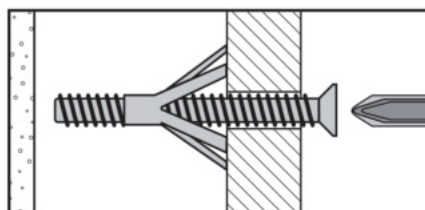
You can use one of the following types of wall plug if your walls are made of brick, breeze block, concrete, stone or wood.

No. 1 "General Purpose" wall plug



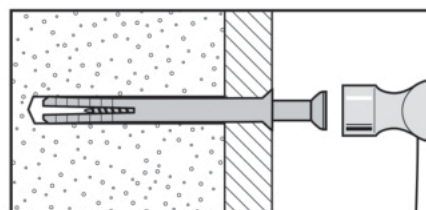
Generally aerated blocks should not be used to support heavy loads, use a specialist fitting in this case. For light loads, general purpose wall plugs can be used.

No. 3 "Cavity Fixing" wall plug



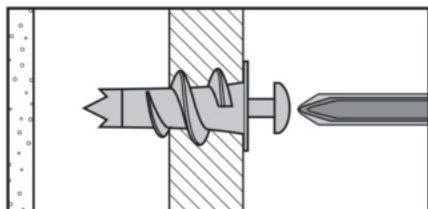
For use with plasterboard partitions or hollow wooden doors.

No. 5 "Hammer Fixing" wall plug



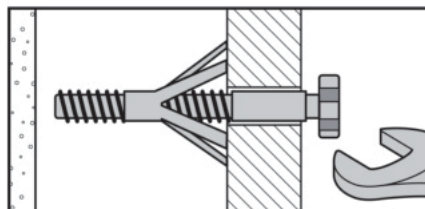
For use with walls stuck with plasterboard. The hammer fixing allows it to be fixed to the wall rather than the plasterboard. Always check the fixing is secure to the retaining wall.

No. 2 "Plasterboard" wall plug



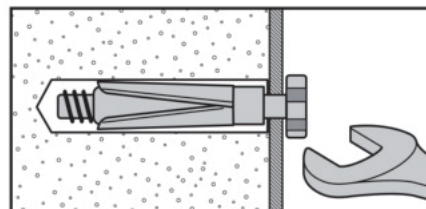
For use when attaching light loads onto plasterboard partitions.

No. 4 "Cavity Fixing - Heavy Duty" wall plug



For use when fitting or supporting heavy loads such as shelving, wall cabinets and coat racks.

No. 6 "Shield Anchor" wall plug - heavy loads



For use with heavier loads such as TV and HiFi speakers and satellite dishes etc.



Care & Maintenance

Safety: Always check the fitting and location to ensure your safety in and around the home.

Fitting: From time to time check the fitting to ensure the wall plugs or screws do not become loose.