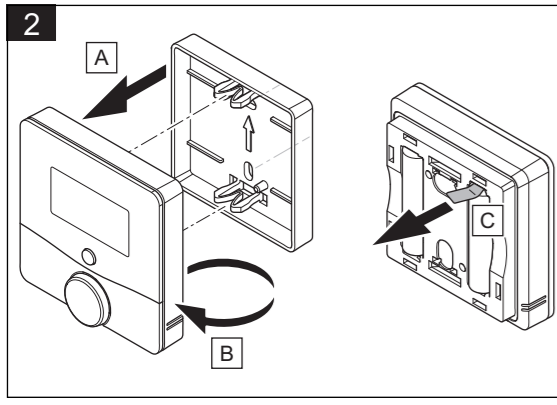
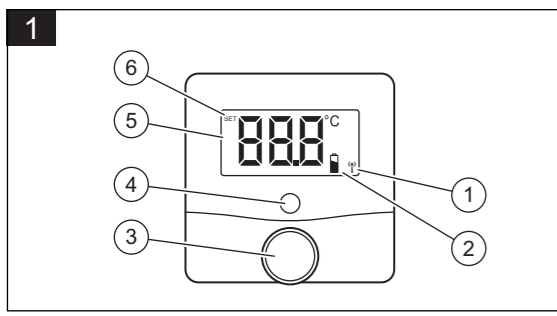
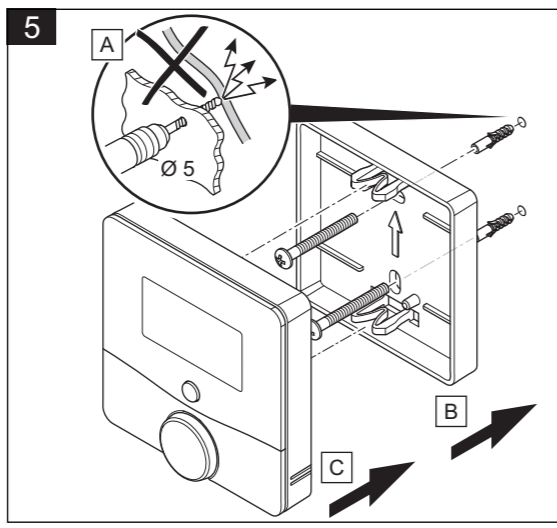
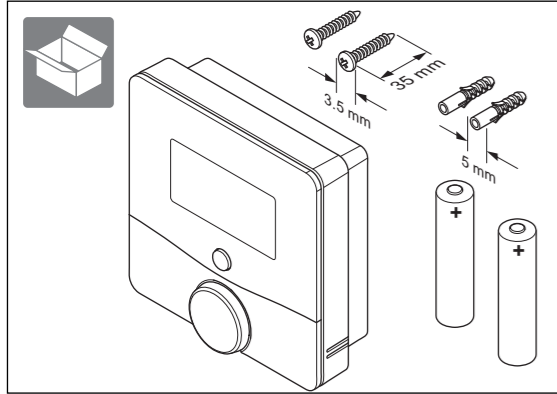


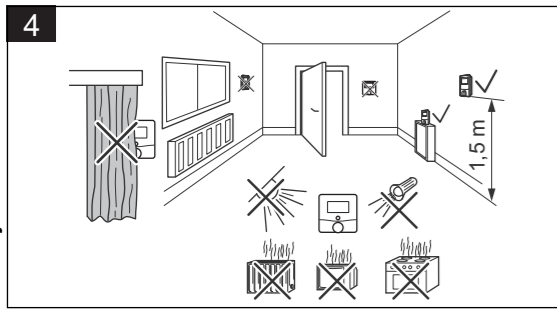
# sensoROOM

VRT 51f  
0020299998

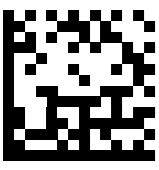
el  
en



3 "Starting up"



0020314806\_02 / 112024 / Subject to technical modifications



## 1 Safety

### 1.1 Intended use

In the event of inappropriate or improper use, damage to the product and other property may arise.

You can use the room temperature control to control the heating installation while taking the room temperature into consideration.

Intended use includes the following:

- observance of accompanying operating, installation and maintenance instructions for the product and any other system components
- installing and setting up the product in accordance with the product and system approval
- compliance with all inspection and maintenance conditions listed in the instructions.

Intended use also covers installation in accordance with the IP code.

Any other use that is not specified in these instructions, or use beyond that specified in this document, shall be considered improper use. Any direct commercial or industrial use is also deemed to be improper.

**Caution.**  
Improper use of any kind is prohibited.

## 2 Product description

### 2.1 Display

Figure 1

- 1 Radio data transmission
- 2 Low battery charge
- 3 Rotary knob
- 4 System button/signal LED
- 5 Room temperature °C
- 6 Setting mode active

### 2.2 Rotary knob, setting

In standby, the display shows the current room temperature.

Turning the rotary knob displays the target room temperature; turning it further changes this temperature.

After five seconds of inactivity, the display jumps back to the current room temperature.

### 2.3 Flashing sequence of the signal LED

| Flashing sequence  | Meaning  | Required activity  |
|--|--|--|
| Brief period of flashing orange  | Radio transmission/transmission attempt or configuration data is transferred | Wait until the transmission has ended.   |
| One long period of lighting up green   | Process confirmed  | Continue with the operation.   |
| One long period of lighting up red   | Process failed or duty cycle limit reached                                   | Wait for the duty cycle limit interval (1 hour) and try again.   |
| Brief period of flashing orange (every 10 seconds)                               | Pairing mode active  | None. If required, press the button on the Internet module.  |
| Brief period of lighting up orange (after a green or red reception notification) | Batteries flat   | Replace the batteries.   |
| Three long periods of flashing red   | Product defective  | Observe the display in the app, the central control unit or contact your specialist dealer.                          |
| Lights up orange once and green once (after inserting the batteries)             | Test display   | Once the test display goes out, you can continue.  |
| Long and brief period of flashing orange (alternating)                           | Update to the unit software (OTAU = Over the Air Update)                     | New software is transferred. (Duration: Up to 12 hours) This does not affect how the product works during this time. |

### 2.4 Radio transmission symbol

| Flashing sequence        | Meaning   |
|--------------------------|---|
| Symbol is permanently on | Radio link active   |
| Symbol is flashing       | The product is coupled, the connection is interrupted (→ Section 4.1) |
| Symbol is off            | The product is not coupled (→ Section 3)                              |

## 3 Start-up

- > Figures 2 and 3.

**Validity:** Except for Germany

**Prerequisite:** You have obtained a starter kit, comprising an Internet module and room temperature control

After removing the battery tab, the product is in pairing mode for three minutes. If the Internet module is operating during this time, the products are automatically connected to each other.

- > If required, press the system button to restart the pairing process.

No further action is required.

**Validity:** Except for Germany

**Conditions:** You have purchased an Internet module and room temperature control individually, and the Internet module is already connected to the Internet

- > Press the button beside the LED on the Internet module and the system button on the room temperature control. The products are automatically connected to each other.

**Condition:** You have purchased a heat generator with central control unit that has integrated Internet access.

- > Remove the battery tab from the room temperature control.
- > In the central control unit of the heat generator or the myVAILLANT app, switch to the setting for thermostats and repeaters and follow the instructions.
- > If you are asked to enter a code, you will find the key on the rear of the product: XXXXX-XXXXX-XXXXX-XXXXXXXXXXXX. This step is not necessary if your heat generator is already connected to the Internet.

The radio link is successfully established if the radio transmission symbol is permanently on.

## 4 Troubleshooting

### 4.1 Detecting and eliminating faults

**Condition:** The room temperature does not reach the set temperature

- > Check whether room air can circulate freely around the room temperature control, and that the room temperature control is not covered by furniture, curtains or other objects.



**Note**

Due to poorer air circulation at the sensors, the measurement accuracy may be less precise for floor-standing installation than for wall installation.

**Condition:** The display is off

- > Press the rotary knob once.
- > Check whether the „Low battery“ symbol is shown in the display.
- > Check that the batteries for the room temperature control have been correctly inserted in the battery compartment.

**Condition:** No radio reception

- > Select a different position for the room temperature control.

### 4.2 Reset to factory settings

1. Remove the batteries.
2. Re-insert the batteries in accordance with the polarity markings and, at the same time, press and hold the system button for four seconds until the signal LED starts to rapidly flash in orange. Release the system button.
3. Press the system button again for four seconds until the signal LED lights up green. Release the system button to complete the process of restoring the factory settings.
4. The product restarts.

## 5 Care and maintenance

### 5.1 Caring for the product

- > Clean the casing with a damp cloth and a little solvent-free soap.
- > Do not use sprays, scouring agents, detergents, solvents or cleaning agents that contain chlorine.

## 5.2 Changing batteries



**Danger!**  
**Risk of death caused by unsuitable batteries!**

If batteries are replaced with the wrong type of battery, there is a risk of explosion.

- > Ensure that you use the correct battery type when replacing batteries.
- > Dispose of used batteries in accordance with the instructions in this manual.

After inserting the batteries, the product first runs through a self-test for approx. two seconds. Initialisation then takes place.

- > Do not use rechargeable batteries.
- > When inserting the batteries, make sure the battery poles are the right way round.
- > After inserting the batteries, observe the flashing sequence of the signal LED.

## 6 Recycling and disposal of batteries

- > Observe all relevant regulations.



If the product contains batteries that are labelled with this mark:

- > In this case, dispose of the batteries at a collection point for batteries.
  - **Prerequisite:** The batteries can be removed from the product without causing any destruction. Otherwise, the batteries are disposed of together with the product.
- > In accordance with the legal regulations, used batteries must be returned since batteries may contain substances that are harmful to health and the environment.

## 7 Customer service

The contact details for our customer service are provided on our website.