

T80Z Fast-Fit DuElec™

Electric Shower



Product Codes

| | |
|--------------------------------|----------|
| T80Z Fast-Fit DuElec™ - 9.5kW | GEFFDU91 |
| T80Z Fast-Fit DuElec™ - 10.5kW | GEFFDU11 |

Installation

- Inlet connection: 15mm diameter
- Outlet connection: 1/2" BSP male thread
- Generous footprint will cover the original T80Z Fast-Fit as well as most competitor models
- 8 water and 6 cable entry points
- Easy pipe connection either left or right, 15mm compression fitting
- Wire free cover fit
- Easy fit entry trims which can be installed with the shower in situ, no tools required
- Swing-Fit™ for left and right-hand side cable connections
- Swivel Fit™ for left and right-hand side water connections

Commissioning

- Simple 2 minute commissioning process

End User

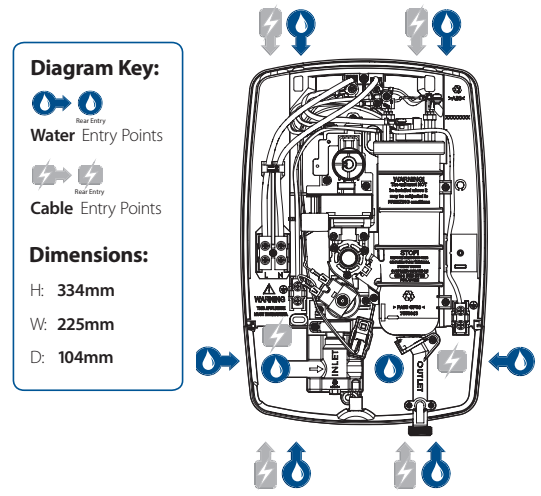
- Choice of showering experience - Divert water between a 5 spray pattern shower head and luxurious fixed rainfall shower head, or even use both together
- Separate flow and temperature controls
- Push-Button Start/Stop – Retains your preferred power and temperature setting
- Easy Clean 5 spray pattern shower head with removable spray plate
- 1.25m Anti-Twist Hose – Designed to avoid kinks
- Efficient A energy rating



T80Z Fast-Fit DuElec™

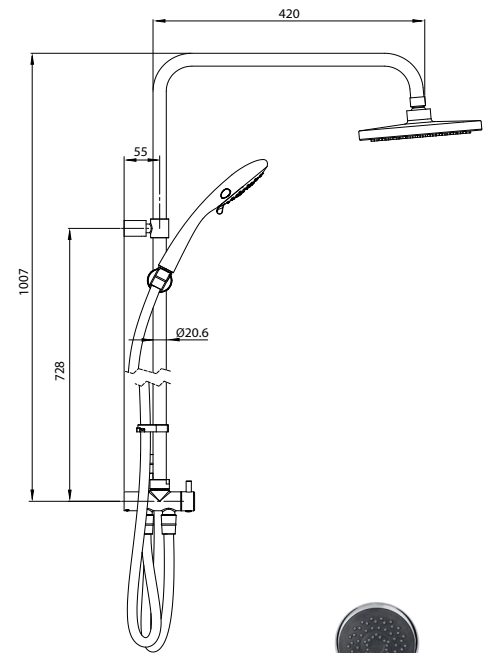
Electric Shower

| Shower | |
|-------------------------------|---|
| Temperature stability | Stabilised |
| Power ratings | 9.5kW, 10.5kW (240v) |
| Finish | White |
| Controls | Start/stop button & temperature control dial |
| Visual indicators | Power-on/low pressure indicator |
| Inlet Connection | 15mm compression |
| Water Entry Points | Top, bottom, side bottom, back (left hand side unit) Top, bottom, side bottom, back (right hand side unit) |
| Cable Entry Points | Top, bottom, back (left hand side unit) Top, bottom, back (right hand side unit) |
| Outlet Connection | ½" BSP |
| Plumbing System Compatibility | Cold mains only |
| Minimum Running Pressure/Flow | 1 bar at 8l/min 1.5 bar at 11l/min for 10.5kW* |
| Maximum Static Pressure | 10 Bar |
| Surface Mounted Only | |
| Approvals, Complies with | BEAB, CE, BSI Kitemark |
| Guarantee | 2 years |



DuElec™ Riser Rail Kit

| | |
|----------|--|
| Length | 1007mm / 40inches |
| Diameter | 20.5mm / 0.81 inches |
| Material | Stainless Steel |
| Finish | Chrome |
| Hose | 1.25m Anti-twist (main hose) 0.75m (Connector hose) |



IMPORTANT MAINTENANCE NOTICE

Replacing specified Triton accessories for this T80Z Fast-Fit DuElec™ unit will aid optimum performance and maintain a valid guarantee



Isabel – Circular Fixed Shower Head
Chrome
TSHFISABCH



8000 Series Shower Head
Chrome
TSH8RCCHR



1.25m Anti-Twist Shower Hose
Chrome
TSHG1203

Contact our specification team

Call: 02476 324 776 | Email: specification@tritonshowers.co.uk | Web: www.tritonshowers.co.uk/specifiers