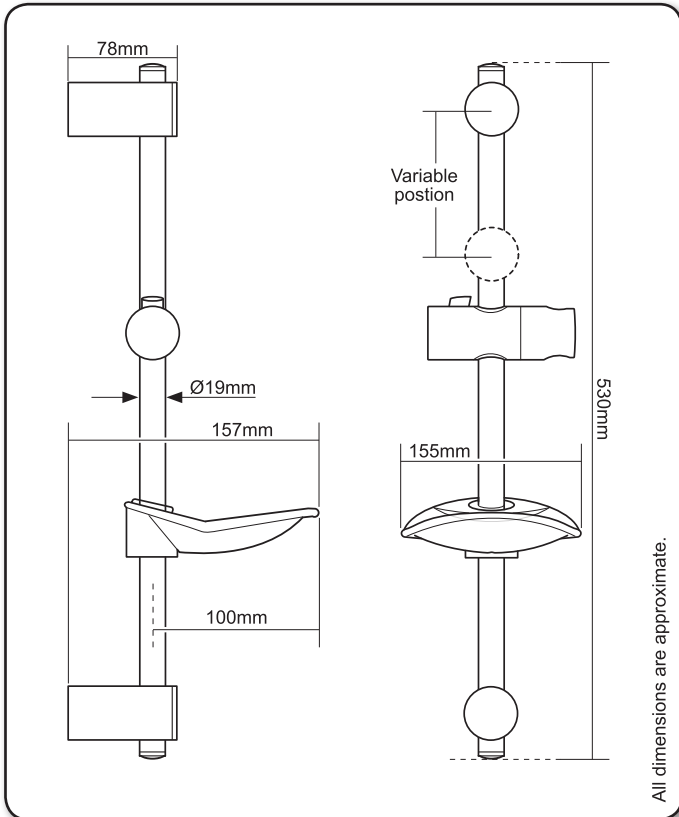


LEWIS

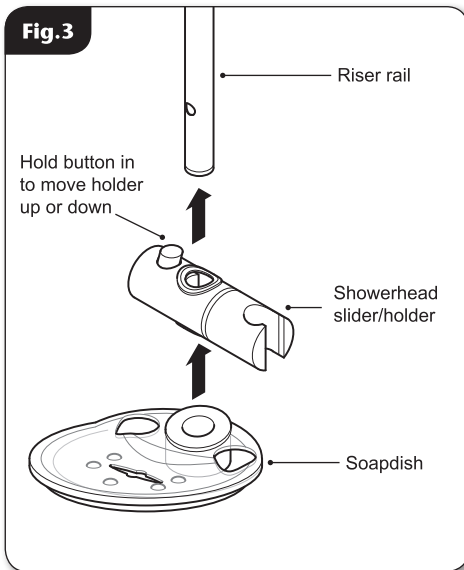
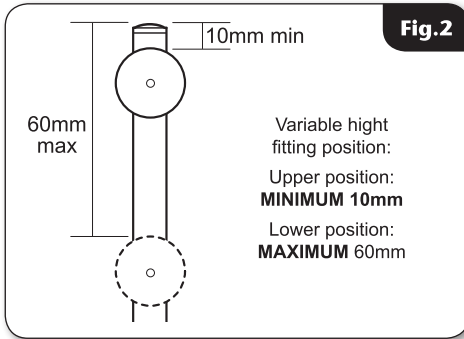
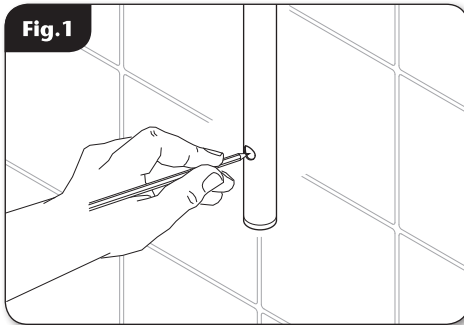
Riser rail assembly



Installation Instructions

INSTALLERS PLEASE NOTE THESE INSTRUCTIONS ARE TO BE LEFT WITH THE USER

FITTING THE RISER RAIL ASSEMBLY



FITTING THE RISER RAIL

⚠ WARNING!

Check there are no hidden cables or pipes before drilling holes for wall plugs. Use great care when using power tools near water. The use of a residual current device (RCD) is recommended.

- Using the riser rail as a guide, decide the position of the top of the riser rail. Once determined, this will allow the bottom fixing bracket hole to be marked. The rail has two different size holes in it. The rail should be fitted with the larger hole facing out and at the bottom.
- Drill and plug the bottom hole. (*An appropriate drill bit should be used. If the wall is brick, plasterboard or a soft building block, appropriate wall plugs and screws should be fitted*).
- Making sure that the riser is vertical and that the top of the fixing bracket will be **no closer than 10mm** to the top of the riser rail, mark the position of the top fixing hole. The bracket may be fitted at a variable height. It is advised that the bracket is **NOT** fitted more than **60mm** from top of the riser rail (**fig.2**).
- Once the upper bracket hole has been drilled and plugged, the bracket may be fitted as the retaining screw will sit in behind the riser rail.
- Before the riser rail and bottom bracket can be fitted and secured to the wall, the following items need to be fitted in the order and orientation shown in (**fig.3**) - the slider/holder can be fitted with the showerhead on either the left or right of the riser rail. The soapdish has two in built hose retaining rings for left or right hose fitting.

FITTING THE RISER RAIL ASSEMBLY

- Once all of the items are in place the riser rail can be inserted into the top and bottom brackets and the bottom bracket secured in place with the retaining screw (**fig.4**).
- Finally the top and bottom trims can be clicked into place.

Should the need arise, the trim cover can be removed by inserting a screwdriver and very carefully levering it away from the bracket.

FITTING THE HOSE AND SHOWERHEAD*

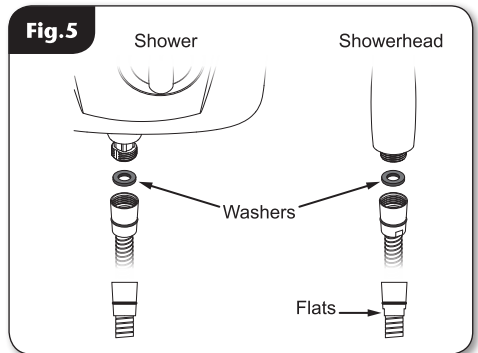
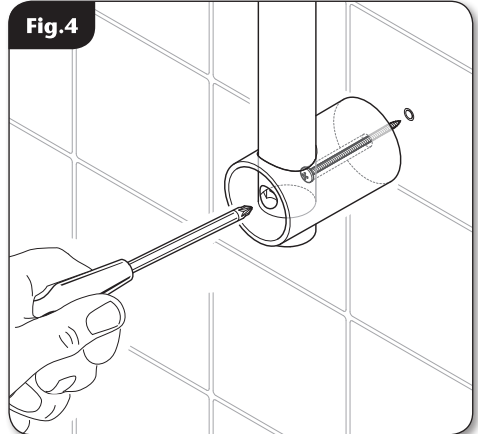
NOTE: The hose has two different ends. One end has two flats on it, this is the end that should be connected to the showerhead (**fig.5**).

- Feed the flexible hose through a hose retainer hole in the soapdish (The hose retainer **MUST** be used to comply with Water Regulations).

NOTE: The holder is slightly tapered and the showerhead and hose will only fit from the top.

IMPORTANT: It is the conical end of the hose which grips into the holder. The showerhead will not fit in the holder without the hose attached.

- Screw the flexible hose to the shower outlet and showerhead, making sure the supplied washers are in place and the correct ends are fitted to the shower and showerhead (**fig.5**).
- Place the showerhead into the holder and check that it fits correctly.



*Not supplied unless otherwise stated.

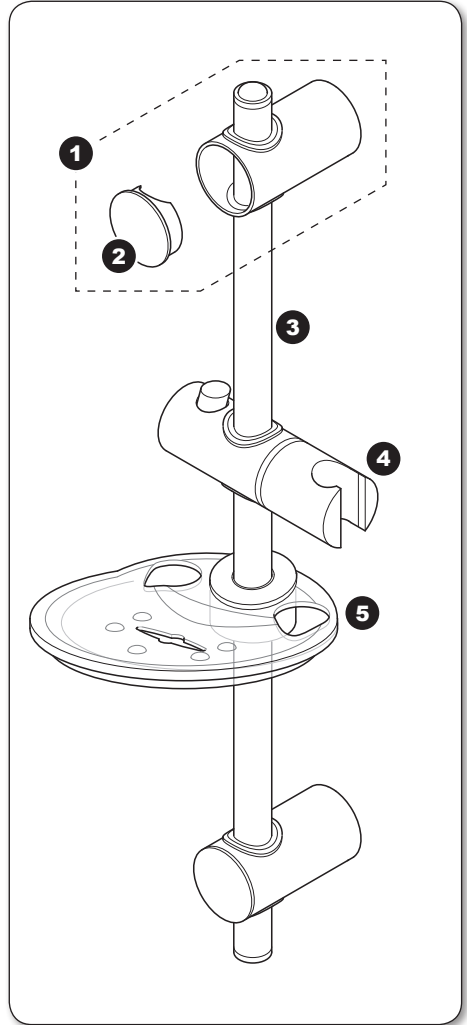
SPARE PARTS

Ref. Description	Part Number
-------------------------	--------------------

- | | |
|---------------------------------------|----------|
| - Kit without rail | |
| <i>white</i> | 88900033 |
| <i>chrome</i> | 88900034 |
| 1. Brackets & trims (pair) | |
| <i>white</i> | 83314660 |
| <i>chrome</i> | 83314670 |
| 2. Trim (single) | |
| <i>white</i> | 83314690 |
| <i>chrome</i> | 83314700 |
| 3. Riser rail 530mm | |
| <i>chrome</i> | 88800024 |
| 4. Showerhead holder/slider | |
| <i>white</i> | 83314710 |
| <i>chrome</i> | 83314720 |
| 5. Soap dish (clear) | 83314730 |

Flexible hoses available in the following sizes:

- 1.00m in white, chrome and gold
- 1.25m in white, chrome and gold
- 1.75m in chrome only



Please refer to shower installation and operating instructions for service details.