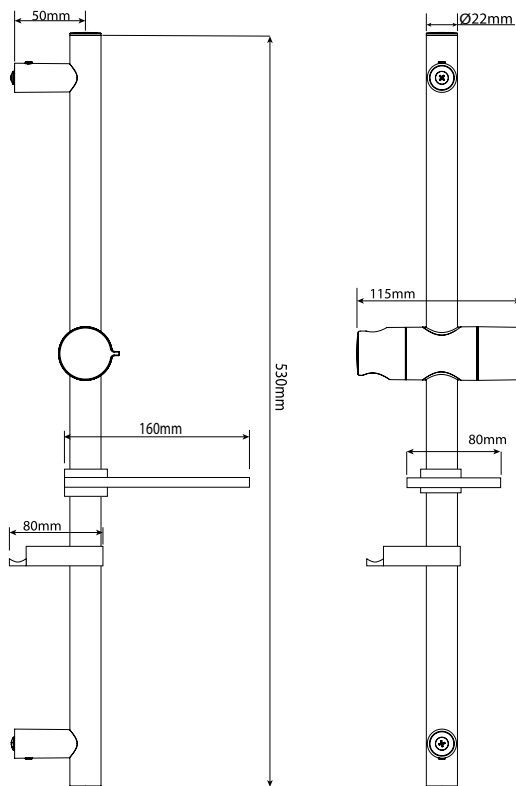


KIAN

Riser rail assembly

88900054



* All dimensions listed regarding the product and installation are approximate.
Please read the fitting instructions before proceeding.

Installation Instructions

TRITON ALWAYS RECOMMEND THE USE OF GENUINE TRITON ACCESSORIES FOR USE WITH A TRITON SHOWER. FAILURE TO USE GENUINE TRITON PARTS MAY INVALIDATE YOUR GUARANTEE.

INSTALLERS PLEASE NOTE THESE INSTRUCTIONS ARE TO BE LEFT WITH THE USER

2181360B - August 2016

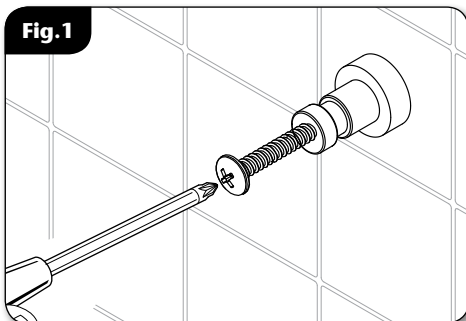


Fig. 1

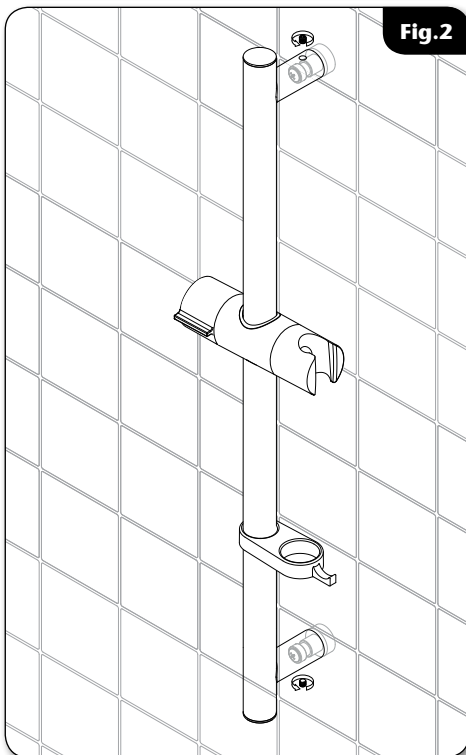


Fig. 2

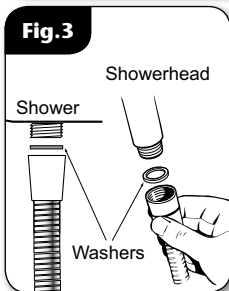


Fig. 3

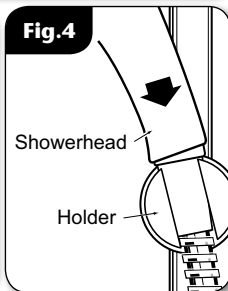


Fig. 4

WARNING!

Check there are no hidden cables or pipes before drilling holes for wall plugs. Use great care when using power tools near water. The use of a residual current device (RCD) is recommended when using power tools.

Installing the kit

Decide on the position for the riser rail kit within the shower area and proceed as follows:

Using the fitting template provided mark the position for the top bracket, remove and drill and plug the wall. (An appropriate drill bit should be used. If the wall is brick, plasterboard or a soft building block, appropriate wall plugs and screws should be fitted).

Replace the top bracket to the wall and secure in place. **(fig.1)**

Temporarily fit riser rail kit onto the top wall bracket using this as a guide for location of the bottom bracket; check kit is vertical mark the position for the bottom bracket. Remove and drill and plug wall. **(fig.1)**

Screw bottom wall fixing bracket into place.

Fit the riser rail kit onto the wall brackets, tighten the grub screws to secure. **(fig.2)**

FITTING THE HOSE AND SHOWERHEAD*

- Feed the flexible hose through the opening in the hose retainer (*The hose retainer **MUST** be used to comply with Water Regulations*).
- Screw the flexible hose to the shower outlet and showerhead, making sure the supplied washers are in place at both ends of the flexible hose **(fig.3)**.
- Place the showerhead into the holder and check that it fits correctly **(fig.4)**.

Note: *The holder is slightly tapered and the showerhead and hose will only fit from one direction.*

IMPORTANT: It is the conical end of the hose which grips into the holder. The showerhead will not fit in the holder without the hose attached.

Replacing a part

If your kit becomes damaged or part needs replacing you will first need to remove the rail from the wall by undoing both grub screws. **(fig.2)**

To access the internal bracket, remove the trims from the ends of the rail and lie flat. Unscrewing brackets **(fig 6)** releases the internal brackets **(fig 7)**

At this stage the showerhead holder and hose retain can be removed, serviced and/or replaced these simply slide onto the rail. Operating instruction for the slider is shown below.

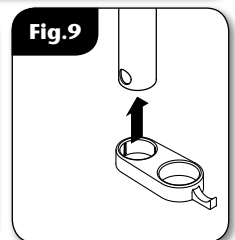
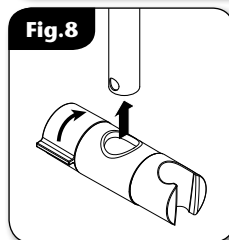
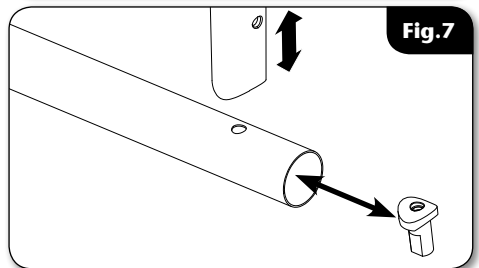
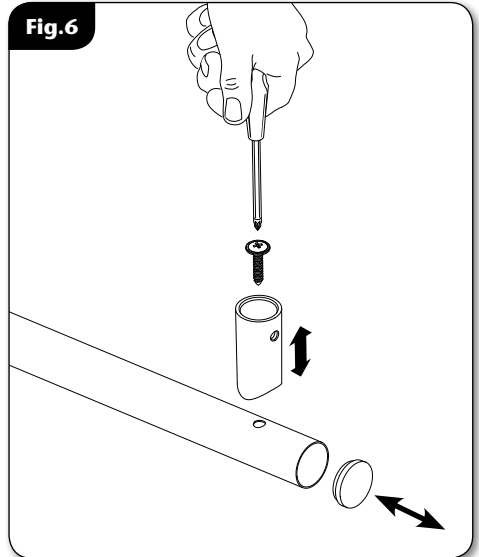
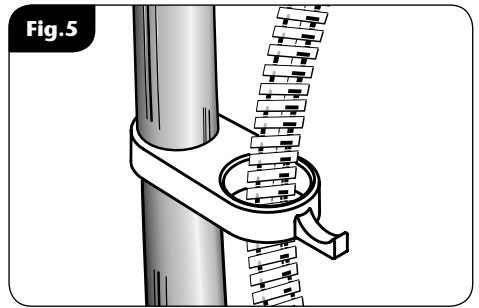
Slider Operation

The slider position is adjusted by rotating unlocking the slider mechanism (new fig drawing) changing the position and locking **(fig.8)**

To fit the hose retainer simply slide it onto the rail. **(fig.9)**

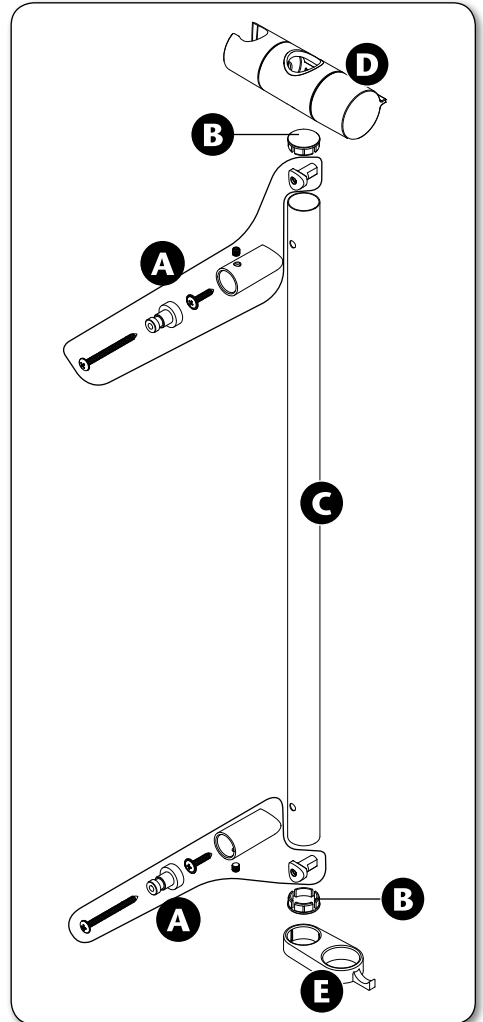
To re-assemble your kit, align the internal bracket fixing with the hole in the rail and screw the wall fixing brack into place **(fig.6)**

Once the bracket is secure put your trim back onto the end of the rail and then remount the rail on the wall brackets. **(fig.2)**



SPARE PARTS

Ref. Description	Part number
- Kit complete.....	88900054
A Brackets pack chrome.....	83316070
B Trims chrome.....	22013430
C Riser rail chrome.....	88800044
D Showerhead holder chrome.....	22013440
E Hose retainer clear	22013450
- Flexible hoses available in the following sizes:	
1.00 m in white, chrome and gold	
1.25 m in white, chrome and gold	
1.75 m in chrome only	



Please refer to shower installation and operating instructions for service details.

Check out our full range of Showers

Electric Showers

Digital Showers

Mixer Showers

Power Showers

Smart Showers

Shower Towers

From Top Shower Brands

Mira Showers

Aqualisa Showers

Triton Showers

Gainsborough Showers

Shower Pumps can upgrade your showering experience even more

Stuart Turner Shower Pumps

Salamander Shower Pumps

Grundfos Shower Pumps

plumbworld
Big brands, small prices.