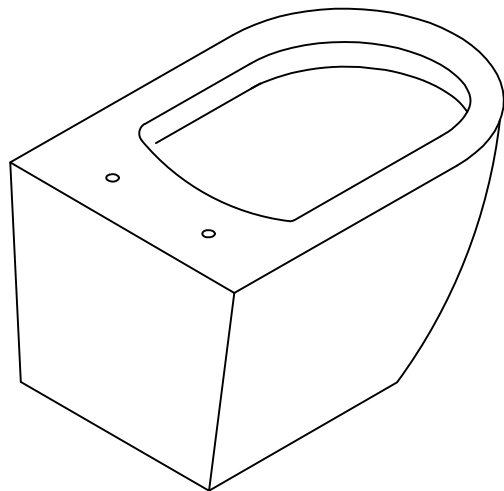
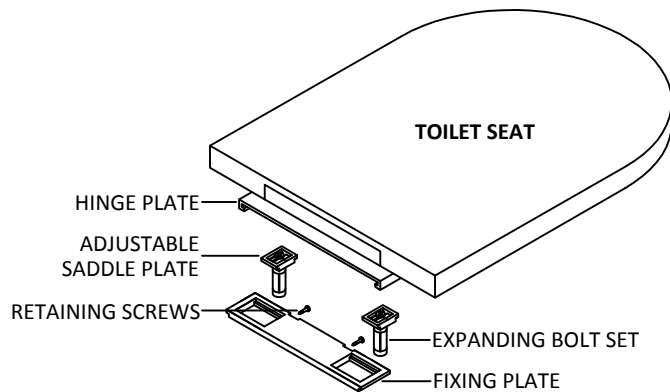
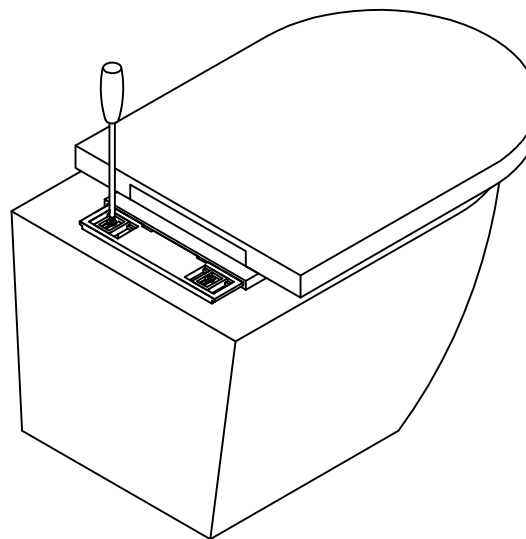


# TOILET SEAT 'TOP FIX' FITTING INSTRUCTIONS



UNDO THE RETAINING SCREWS AND SLIDE OUT THE FIXING PLATE FROM THE HINGE PLATE.

PLACE THE EXPANDING BOLT SET AND ADJUSTABLE SADDLE INTO POSITION IN THE FIXING PLATE.

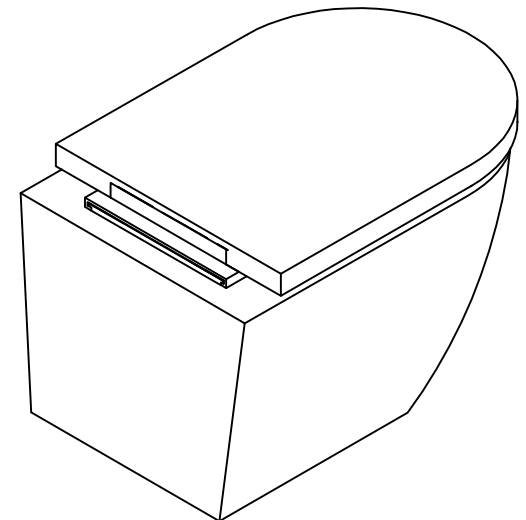


WITH THE FIXING PLATE AND BOLT SETS IN POSITION, SLIDE THE PLATE BACK INTO THE HINGE PLATE 5mm ONLY AS THIS WILL ALLOW ACCESS FOR TIGHTENING THE BOLTS.

PLACE THE BOLTS IN THE SEAT THROUGH THE HOLES IN THE W.C PAN AND TIGHTEN, BUT NOT FULLY.

SLIDE THE SEAT FULLY BACK INTO POSITION AND ADJUST ACCORDINGLY.

WHEN THE SEAT IS IN THE RIGHT POSITION, SLIDE FORWARD AND FULLY TIGHTEN.



SLIDE THE SEAT AND HINGE PLATE BACK INTO POSITION AND FIX USING THE RETAINING SCREWS.

**IMPORTANT! DO NOT FORCE THE LID OR SEAT TO CLOSE AS THIS WILL DAMAGE THE SOFT CLOSE MECHANISM.**

## MAINTENANCE (PLEASE READ CAREFULLY)

- We recommend that your toilet seat is regularly cleaned with a soft damp cloth and mild soap solution.
- Do not scrub or scour the surfaces or use abrasive cleaning materials.
- Do not use cleaners containing bleach.
- Do not stand on the lid or ring of your toilet seat.

# Check out our full range of Bathroom Accessories

Bathroom Accessory Sets

Heated Towel Rails

Bathroom Extractor Fans

Bathroom Lighting

Shower Seats

Grab Rails

Shower Curtains

Toilet Brushes

Bathroom Cleaning Products

## Wall Mounted Bathroom Accessories

Robe Hooks

Bathroom Tumblers

Toilet Roll Holders

Soap Dishes

Towel Rings

Shower Caddies

## Bathroom Mirrors

Standard Bathroom Mirrors

LED Bathroom Mirrors

Shaving Mirrors

**plumbworld**  
**Big brands, small prices.**