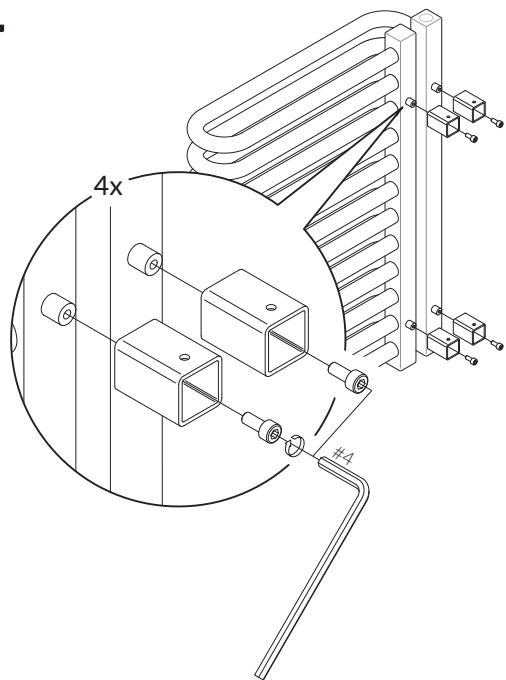
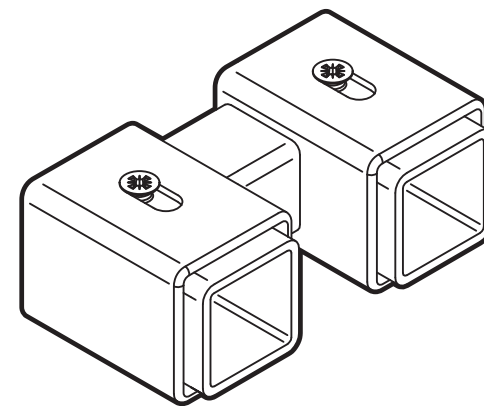
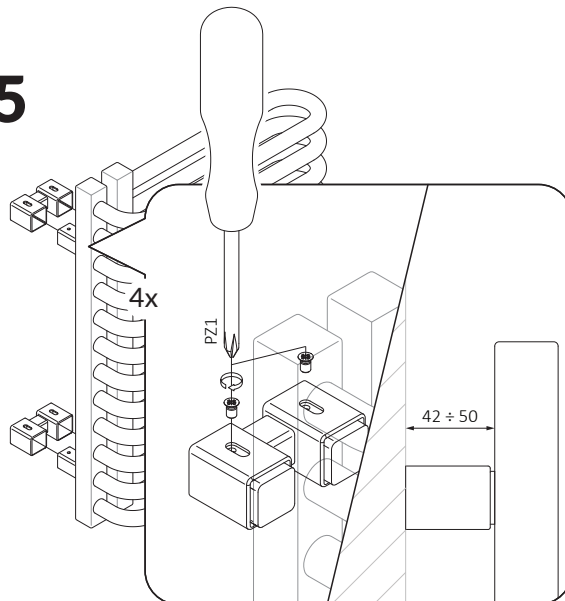


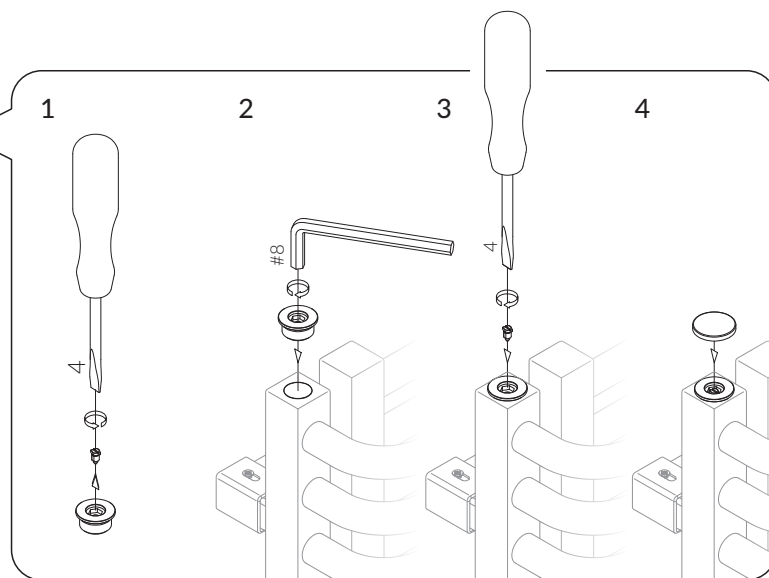
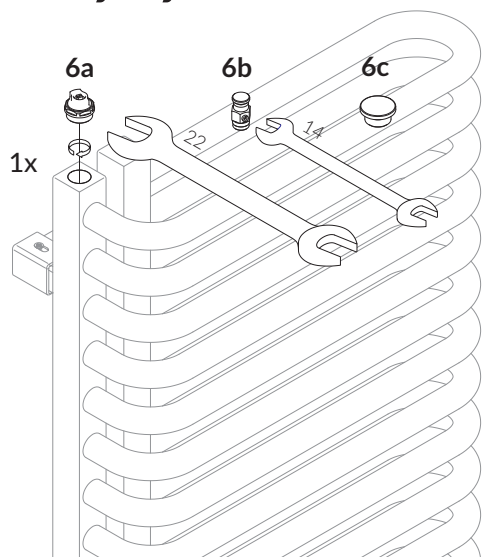
4



5

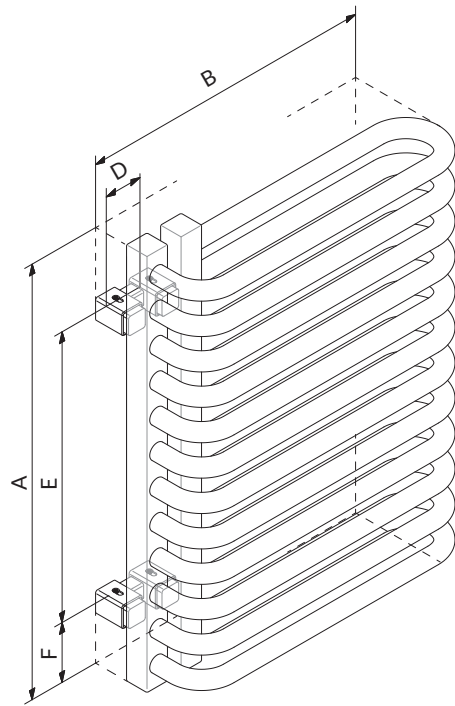
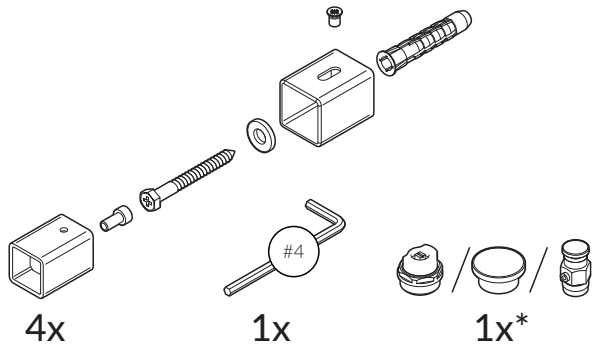


6 a/b/c\*

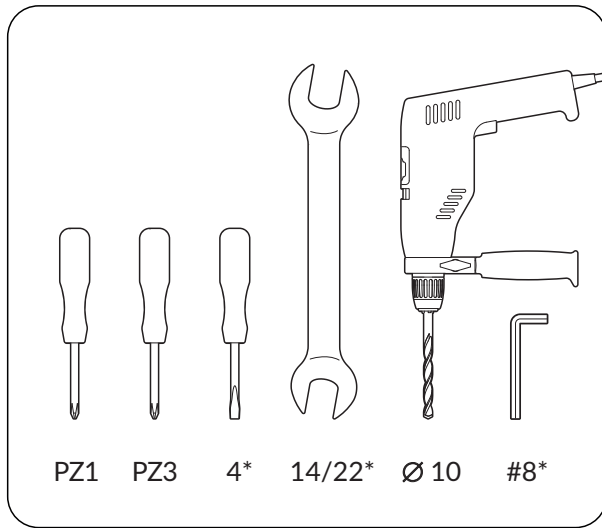
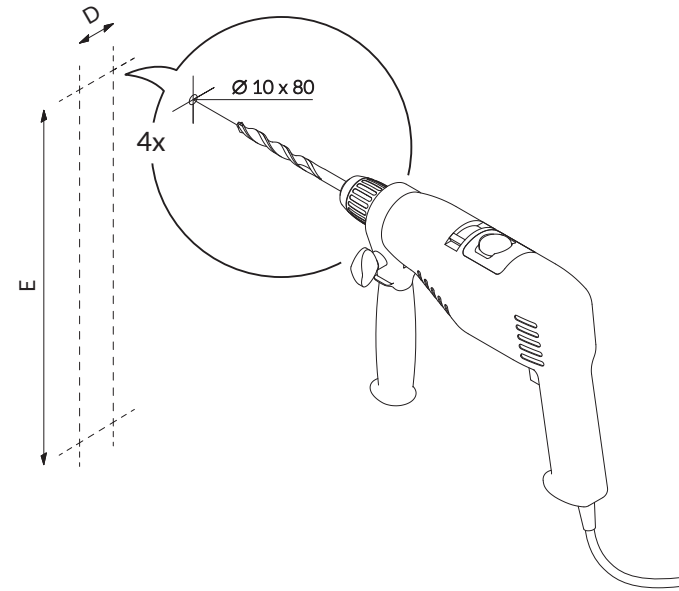


# User Manual

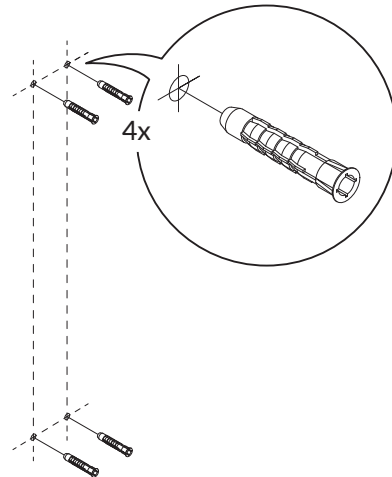
Mounting bracket MDP  
4x



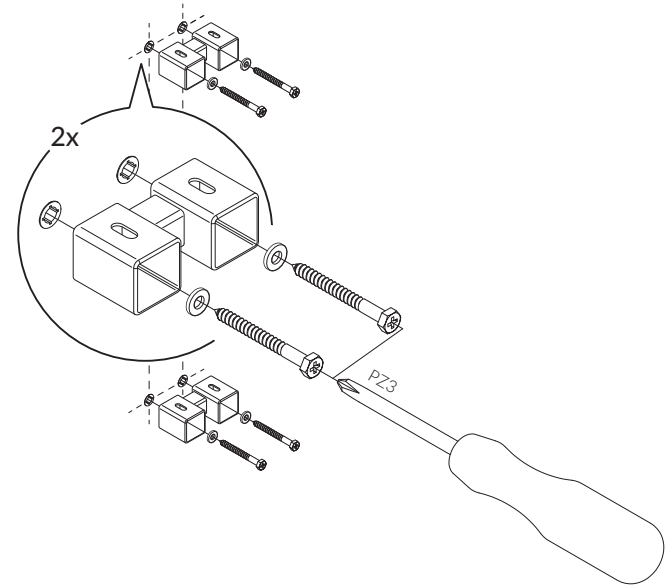
**1**



**2**



**3**



\* EN Refers to water and dual fuel version