

stuart

CH Single Stage Boostamatic

Designed to provide a pressurised water supply from a break tank in either a positive or negative head application, as it does not rely on gravity flow to activate. The range is suitable for commercial or domestic use, pumping hot or cold water and supplied with G 1 flexible hoses.

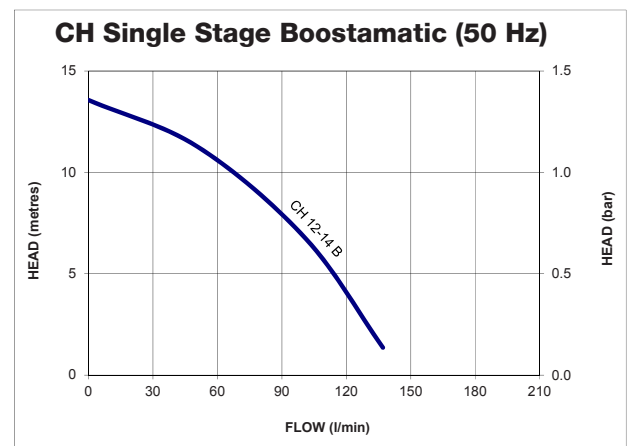


Features

- Fully automatic control - positive and negative head
- No on-site setting/commissioning
- Built in 'no water' cut out
- No pulsing during operation
- Easy installation
- Reliable
- Quiet operation
- Compact size
- Manufactured using WRAS approved materials

Application

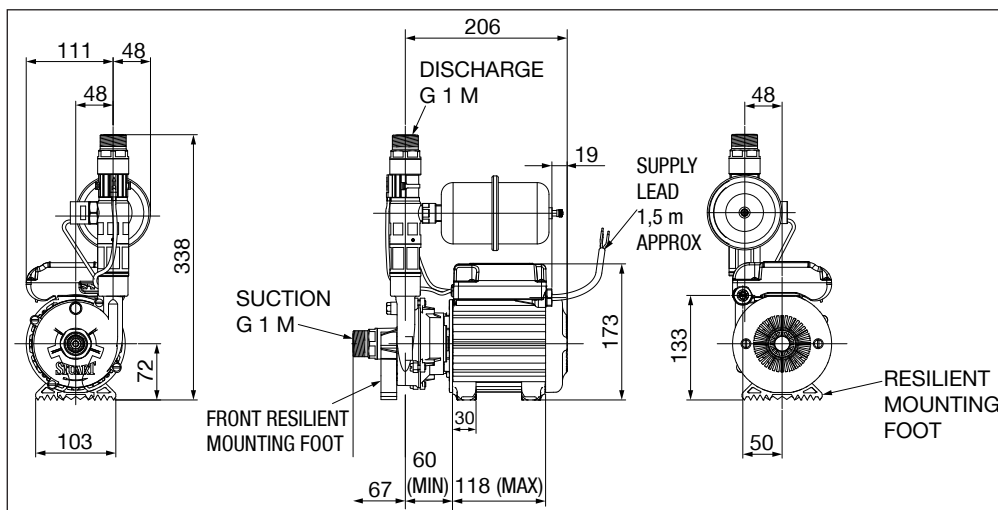
- The range is suitable for commercial or domestic use, pumping hot or cold water



For further advice on selecting the correct pump call
or e-mail info@stpumps.co.uk

pumpassist
HELPLINE +44 (0) 800 31 969 80

Pump Model		CH 12-14 B 50 Hz 46349
General	Guarantee	2 years
	WRAS approval	Approved materials
Features	Pump type	Centrifugal
	Mechanical seal	EPDM / PTFE / Al. Oxide
	Anti-vibration feet	✓
	Inlet strainer(s)	✓
	Flexible hoses	2
	Run on Timer	3 sec
	Dry run protection	✓
Materials	Pump body	Brass
	Impeller	Plastic
Performance	Maximum head (closed valve)	14 metres
	Performance @ 30 l/min	1.2 bar
	Performance @ 90 l/min	0.8 bar
	Maximum flow	138 l/min
	Minimum static inlet pressure	0.1 bar (1 metre)
	Maximum static inlet pressure	0.6 bar (6 metres)
	Maximum static outlet pressure	0.6 bar (6 metres)
	Maximum working pressure*	600 kPa (6 bar)
	Maximum ambient air temperature	40 °C
	Min / Max water temperature**	Min 4 °C / Max 65 °C
	Maximum suction lift***	4.6 metres
	Flow switch sensitivity (approx)	1.0 l/min
	Cut in flow	1 l/min
	Cut in pressure	80 kPa (0.8 bar)
Pressure vessel air pre-charge	0.9 bar (13 psi)	
Connections	Pump connections	G 1 male
Flexible hoses	Connections	G 1 male x G 1 female x 300 mm long
Motor	Type	Induction, auto-reset thermal trip
	Duty rating	Continuous (S1)
Electrical	Power supply / phase / frequency	230 V a.c. / 1 / 50 Hz
	Current (full load)	1.8 Amps
	Power consumption	415 Watts
	Fuse rating	5 Amps
	Power cable (pre-wired)	1.5 metres
Physical	Enclosure protection	IPX4
	Length	273 mm
	Width	159 mm
	Height (excluding hoses)	338 mm
	Weight (including fittings)	8.7 Kg



* The maximum pressure that can be applied to the pump under any installation conditions.

** A stored water temperature of 60 °C is considered sufficient to meet all normal requirements and will minimise deposition of scale in hard water areas.

*** With footvalve fitted

Stuart Turner Limited reserves the right to amend specifications without notice.

Check out our full range of Plumbing Supplies

Plumbing wastes / Plumbing traps

Plumbing Consumables

Plumbing Tools

Toilet Fittings

Brassware

Valves

Plumbing Fittings

plumbworld
Big brands, small prices.