

QUALITY ACRYLIC BATHS

STANDARD & LUXURY

BATH FITTING INSTRUCTIONS

PLEASE NOTE

- Before fixing any bath or panel- remove ALL protective covering and examine carefully. The Polythene film must be removed in full and the bath checked for any visible damage.
- Check that colour match is acceptable to sanitary ware and panel.

Any refixing costs or claims for wrong colour match, and/or any other faults will not be accepted-
AFTER FIXING

ATTENTION!

REMOVE FILM PRIOR TO FITTING

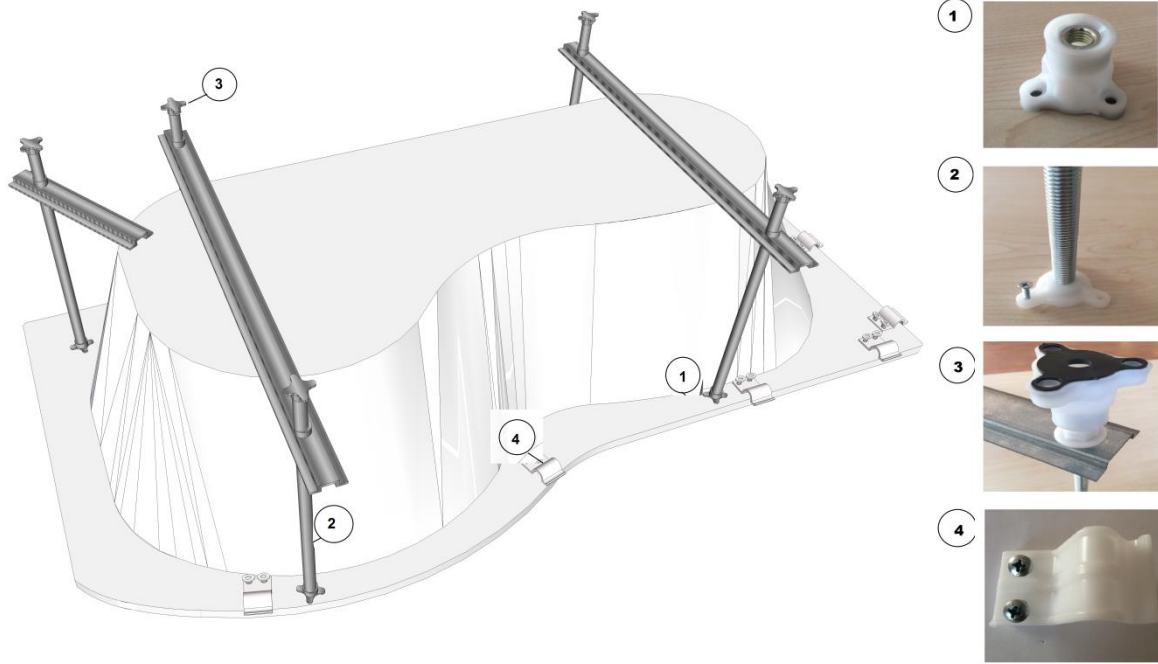
- Before fixing any bath or panel- remove ALL protective covering and examine carefully. The polythene film must be removed in full and the bath checked for any visible damage.
- Check the panel fit and match prior to installation

NO CLAIMS FOR THE ABOVE WILL BE ACCEPTED ONCE THE BATH IS FITTED

1. Remove **all** packing including the polyethylene film which covers entire bath.
2. Check that colour match is acceptable and that there is no damage on the bath that may have occurred prior to installation.
3. Fix the two channels to the base of the bath (see illustration) using the screws.
4. Place the All thread bars through the holes in the channels and fix the plastic feet using the Nuts (see illustration).
5. With the bath in the upright position set top face level using threaded adjustment of feet and lock-nuts. If a panel is to be fitted set bath height to depth of panel.
6. Before final fixing of the bath, fit tap and waste fittings using a suitable sealing compound. When complete fit the bath into position and secure the legs to the floor.

Please Note:

- *It is advised that shower baths and rectangular baths that are NOT going wall to wall should be supported on the front rim by the use of a wooden support or similar.
- When relevant the bath should be set to supplied panel height.
- The baseboard, if not visible, is encapsulated into the bath (I.e. under the GRP reinforcement)



PICTURE

Item No.	Quantity	Description	Checked
1	3	Channels	
2	5	12 mm Threaded Bolt	
3	5	Plastic Feet	
4	10	Plastic Nut	
5	5	Metal Nut	
6	5	Panel bath fixing clips	
7	5	Tripod Fixing Nuts	
8	20	4.8x16 Fixing Clip Screws	
9	15	3.5x19 Tripod Fixing Screws	
10	2	Panel Floor Fixing Clips	
11	4	4.2x38 screws for floor fixing clips	
12	4	Peg for floor fixing clips	

Check out our full range of Bathroom Suites

Bathroom Suites By Range

Cloakroom Suites

Toilets

Bathroom Sinks / Wash Basins

Bidets

Baths

Wide variety of toilets

Close Coupled Toilets

Wall Hung Toilets

Back To Wall Toilets

Furniture unit toilets

Huge Selection of Baths

Acrylic Baths

Steel Baths

Shower baths

Freestanding baths

Small baths

Corner baths

Whirlpool baths

Don't forget the important bathroom suite extras

Bath panels

Toilet seats

plumbworld
Big brands, small prices.