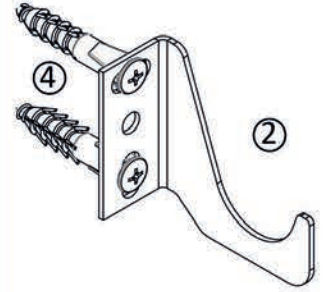
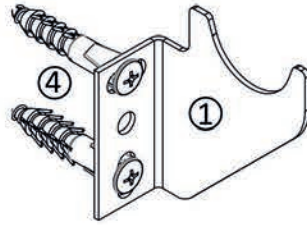
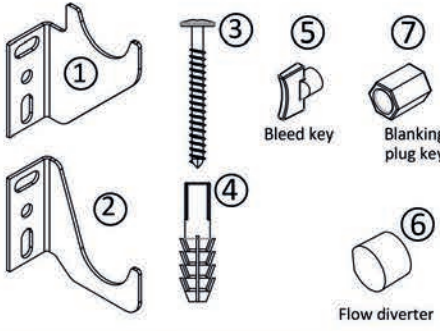
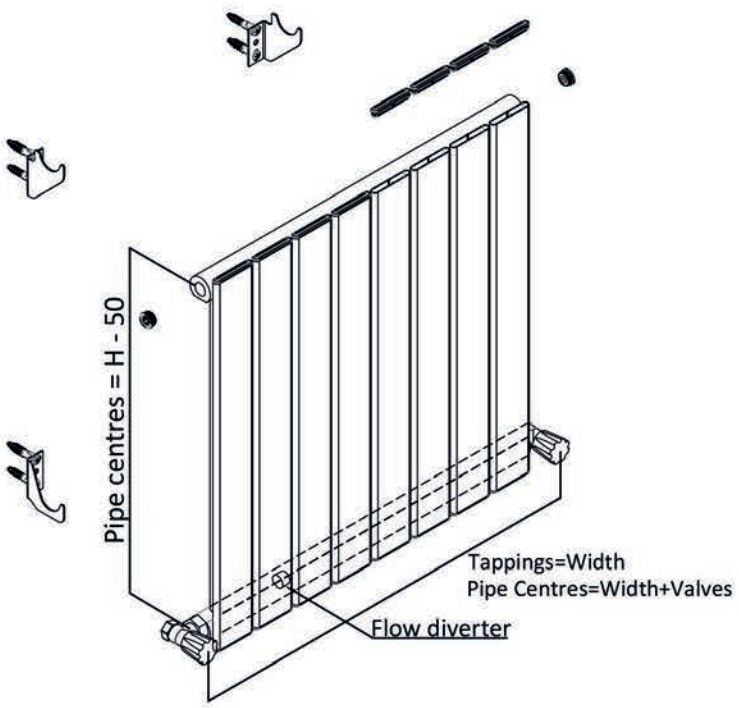
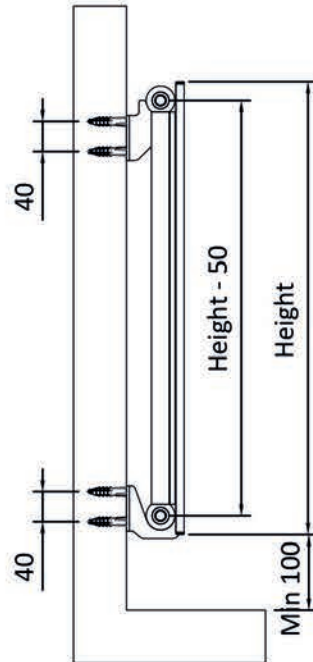
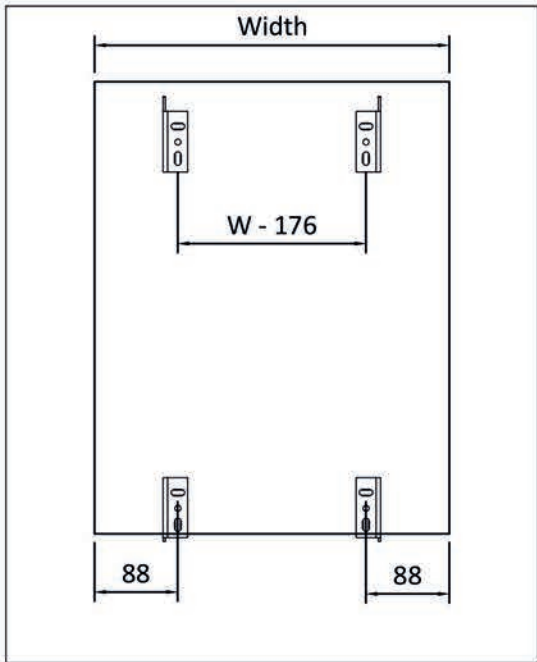


Addington Type 10 Assembly Instructions

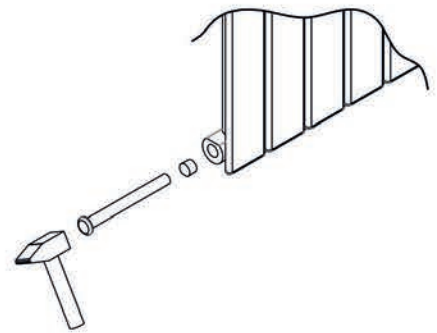
Part number	Quantity
1	2
2	2
3	8
4	8
5	1
6	1
7	1



Bleed valve & blanking plugs come loosely fitted, please remove and seal with PTFE or similar.



How to install the flow diverter ;



* Diverter should be installed into the flow side of the radiator

Profile quantity of radiator	Install the flow diverter
3 - 7	Between first and second profiles
7 - 14	Between second and third profiles
14 - 17	Between third and fourth profiles

Profile quantity	4	5	6	7	8	9	11	14	16	17
W (mm)	292	366	440	514	588	662	810	1032	1180	1254

Eastbrook

Eastbrook Road, Gloucester GL4 3DB
 Technical Helpline : 01452 317890
 Mon - Fri / 8am - 5pm
 Email : technical@eastbrookco.com

INSTALLATION

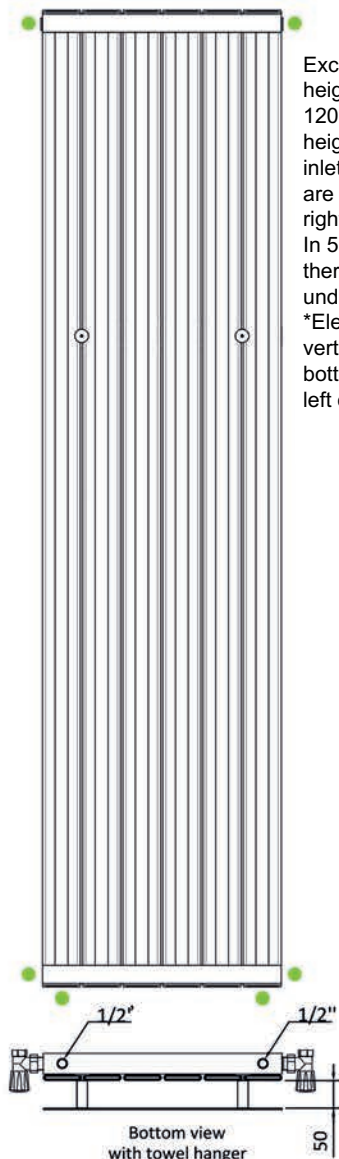
This product must be installed by a fully qualified engineer. Please consider using an Eastbrook Valve Set - this will ensure that your radiator looks its best with matching radiator valves. On commissioning, flush the central heating system thoroughly using a proprietary solution to ensure that aggressive substances such as fluxes and manufacturing residue, from which internal surfaces of your radiator can sustain irreparable damage are removed. A specifically approved inhibitor for aluminium radiators needs to be subsequently added to the heating system in order to protect the radiator and other parts of the central heating system to promote extended operating lifespan. Please ensure, when adding inhibitor, not to underdose or overdose and follow the inhibitor instructions. The Ph level of the system water should be between 6.5 and 7.5 The inhibitor must not be nitrate based! Do not use softened water in your radiator! Beware of own brand inhibitors! Eastbrook recommends FERNOX F1 or equivalent inhibitor for your radiators.

MAINTENANCE

From time to time it is advisable to clean your radiator with a warm damp cloth. Never use any form of abrasive cleaner or chemical. Corrosion inhibitor must also be regularly maintained, please consult your heating engineer for details.

WARRANTY

Your aluminium radiator has five years manufacturer's warranty in respect of defective materials and workmanship and subject to installation being carried out by a qualified engineer in accordance with good practice and corrosion inhibitors being regularly maintained.



Except 500 & 600mm heights, in 800, 1000, 1200, 1400 & 1800mm heights there are *6 inlets. The bottom 2 inlets are under the far left and right profiles. In 500 & 600mm heights there are 4 inlets, none under the bottom header. *Element can be installed vertically under the bottom header, either on left or right side.

* Element inlets are on the left and right ends, at the bottom header.

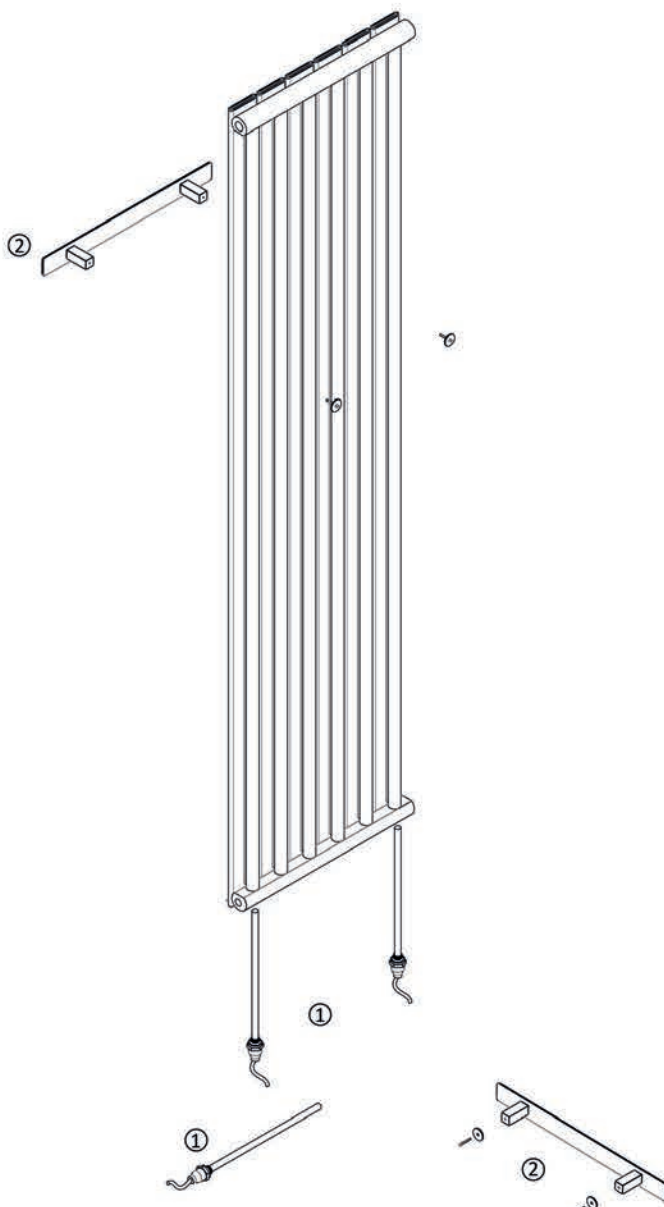
IMPORTANT NOTE

Maximum working pressure is 4 bar. This radiator is to be used on Domestic Heating Systems **only**. (Not suitable for use on direct hot water systems)

For central heating system installations ;
Flow diverter must be fitted on the flow side, on the bottom header. Bottom header blanking plugs may have to be removed and re-fitted on order to fit the flow diverter. Bleed valve should be fitted in the top opposite corner to the flow.
For electric only installations ;
Please do NOT fit the flow diverter, this may cause abnormalities in the water circulation and may end with cold spots on your radiator.
A For dual fuel installations ;
Please do NOT fit the flow diverter, this may cause abnormalities in the water circulation and may end with cold spots on your radiator. Elements must be fitted to the element inlet on the flow side of the bottom header. Bleed valve should be fitted in the top opposite corner to the flow.

IMPORTANT NOTES

Make sure to use PTFE tape around the valve tails (not supplied with the radiator), blanking plugs & bleed valve (supplied with the radiator) before fitting on the radiator. Check the wall is strong enough to hold the weight of the radiator that will be filled with water. The supplied wall plugs and screws are suitable for solid brick walls, not plasterboard walls. After fitting the valves and plugs, fill the system to check for leaks. Run the central heating system and release any trapped air using the air vent (bleed valve) plug.



* Element must be purchased separately

* Towel hanger must be purchased separately

Eastbrook

Eastbrook Road, Gloucester GL4 3DB

Technical Helpline : 01452 317890

Mon - Fri / 8am - 5pm

Email : technical@eastbrookco.com