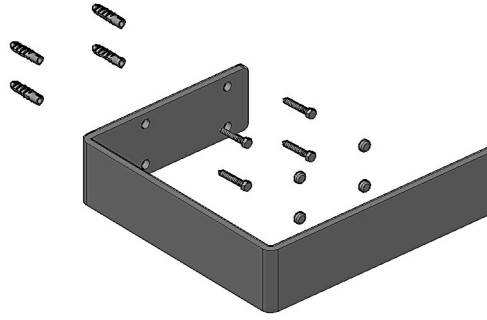


# Guardia Towel Hanger Instructions

\* Must be fitted by a fully qualified installer

## BOX CONTENTS

- Towel Hanger x 1
- Screws x 4
- Wall Plugs x 4
- Screws covers x 4

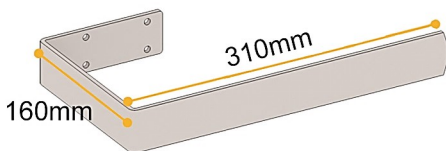
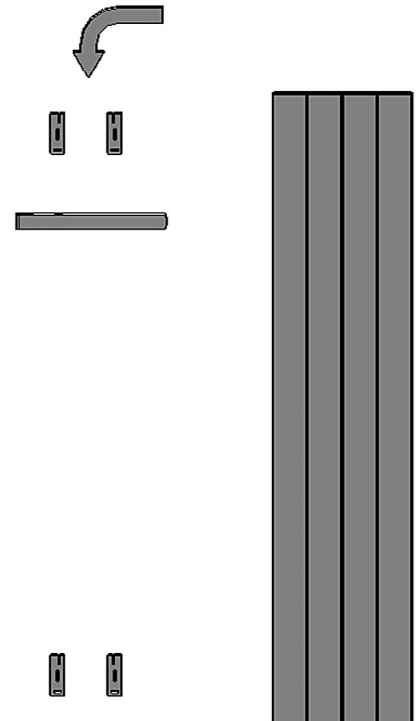


STEP 1 : Fit the Guardia radiator wall brackets to the wall so that you know the position the radiator will be in.

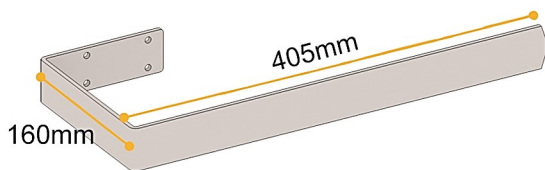
STEP 2 : Fit the Guardia towel hanger/hangers (you can fit more 1 towel hanger) on the wall. For the towel hanger to fit flush with the edge of the radiator, a 30mm gap will need to be left on the fixing side as shown in the image.



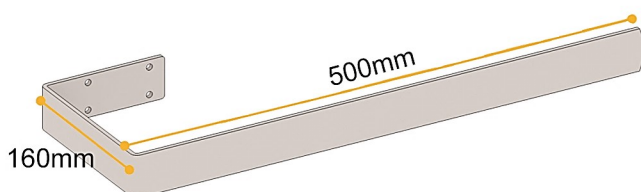
STEP 3 : Slide the Guardia radiator behind the towel hanger/hangers, slightly higher than the wall brackets, then bring down to hang the radiator on the brackets.



Towel Hanger for 280mm Guardia



Towel Hanger for 375mm Guardia



Towel Hanger for 470mm Guardia

**Eastbrook**   
Eastbrook Road, Gloucester GL4 3DB  
Technical Helpline : 01452 317890  
Mon - Fri / 8am - 5pm  
Email : [technical@eastbrookco.com](mailto:technical@eastbrookco.com)