

Space Saver

A highly energy efficient fan convector that fits neatly into the plinth of a kitchen unit. Space Saver eliminates the need for conventional radiators. And, as its name implies, this brings considerable space saving benefits - more room for extra storage units, more work surfaces, more space for kitchen appliances.

Space Saver is used predominantly for domestic applications where the ingenious plinth-mounting feature makes it ideal for heating kitchens and utility rooms. Plinth mounting also makes Space Saver ideal for certain non-domestic applications such as reception areas, changing rooms, libraries, etc.



Model	Room Size Guide* (m ²)	Heat Output at 80°C		Heat Output at 75°C		Heat Output at 70°C		Heat Output at 65°C	
		Normal kW (Btu/h)	Boost kW (Btu/h)	Normal kW (Btu/h)	Boost kW (Btu/h)	Normal kW (Btu/h)	Boost kW (Btu/h)	Normal kW (Btu/h)	Boost kW (Btu/h)
Hydronic									
SS80	24	0.8 (2900)	1.1 (3600)	0.8 (2700)	0.9 (3200)	0.7 (2500)	0.8 (2800)	0.6 (2200)	0.7 (2500)
SS3 (Improved heat output)	31	1.1 (3800)	1.4 (4800)	1.0 (3400)	1.3 (4400)	0.9 (3100)	1.2 (4100)	0.8 (2700)	1.1 (3800)
SS5	37	1.3 (4400)	1.7 (5800)	1.2 (4100)	1.6 (5500)	1.1 (3800)	1.4 (4700)	1.0 (3400)	1.3 (4400)
SS7	46	1.6 (5500)	1.9 (6500)	1.4 (4800)	1.8 (6100)	1.3 (4400)	1.6 (5500)	1.2 (4100)	1.5 (5000)
SS9	63	2.2 (7500)	2.4 (8200)	2.1 (7000)	2.2 (7500)	1.8 (6300)	2.0 (6900)	1.7 (5900)	1.8 (6300)
Hydronic Low Voltage									
SS5 12V	33	1.3 (4400)	1.7 (5800)	1.2 (4100)	1.6 (5500)	1.1 (3800)	1.4 (4700)	1.0 (3400)	1.3 (4400)
Hydronic/Electric (Dual)									
SS5 Dual	37	1.3 (4400)	1.7 (5800)	1.2 (4100)	1.6 (5500)	1.1 (3800)	1.4 (4700)	1.0 (3400)	1.3 (4400)
	29	1.0	-	1.0	-	1.0	-	1.0	-

Model	Room Size Guide* (m ²)	Heat Output at 60°C		Heat Output at 55°C		Heat Output at 50°C		Heat Output at 45°C	
		Normal kW (Btu/h)	Boost kW (Btu/h)	Normal kW (Btu/h)	Boost kW (Btu/h)	Normal kW (Btu/h)	Boost kW (Btu/h)	Normal kW (Btu/h)	Boost kW (Btu/h)
Hydronic									
SS80	24	0.6 (1900)	0.7 (2300)	0.5 (1700)	0.6 (2000)	0.4 (1400)	0.5 (1700)	0.35 (1200)	0.4 (1400)
SS3 (Improved heat output)	31	0.7 (2400)	1.0 (3400)	0.6 (2000)	0.9 (3100)	0.5 (1700)	0.8 (2700)	0.4 (1400)	0.7 (2400)
SS5	37	0.9 (3100)	1.1 (3800)	0.8 (2700)	1.0 (3400)	0.7 (2400)	0.9 (3100)	0.6 (2000)	0.8 (2700)
SS7	46	1.1 (3800)	1.3 (4500)	1.0 (3400)	1.2 (4000)	0.9 (3100)	1.0 (3400)	0.8 (2700)	0.9 (3000)
SS9	63	1.5 (5200)	1.7 (5700)	1.3 (4500)	1.5 (5000)	1.1 (3900)	1.3 (4300)	0.9 (3200)	1.1 (3700)
Hydronic Low Voltage									
SS5 12V	33	0.9 (3100)	1.1 (3800)	0.8 (2700)	1.0 (3400)	0.7 (2400)	0.9 (3100)	0.6 (2000)	0.8 (2700)
Hydronic/Electric (Dual)									
SS5 Dual	37	0.9 (3100)	1.1 (3800)	0.8 (2700)	1.0 (3400)	0.7 (2400)	0.9 (3100)	0.6 (2000)	0.8 (2700)
	29	1.0	-	1.0	-	1.0	-	1.0	-

■ In hydronic mode ■ In electric mode

*Room sizes given in cubic metres for general guidance only based on normal heat output (80°C) for domestic applications - always calculate heat losses. Heat outputs tested in accordance with BS4856 using entering water temperature and 340 l/h (75gph) flow rate. Fan-only option operational only when central heating system is switched off. Dual models include an electric element which in electric heating mode will emit 1kW of heat.

Model	Room Size Guide* (m ³)	Heat Output at 40°C	
		Normal kW (Btu/h)	Boost kW (Btu/h)
Hydronic			
SS80	24	0.3 (900)	0.3 (1100)
SS3 (Improved heat output)	31	0.3 (1000)	0.6 (2000)
SS5	37	0.5 (1700)	0.7 (2400)
SS7	46	0.6 (2000)	0.8 (2700)
SS9	63	0.7 (2500)	0.9 (3000)
Hydronic Low Voltage			
SS5 12V	33	0.5 (1700)	0.7 (2400)
Hydronic/Electric (Dual)			
SS5 Dual	37	0.5 (1700)	0.7 (2400)
	29	1.0	-

■ In hydronic mode ■ In electric mode

*Room sizes given in cubic metres for general guidance only based on normal heat output (80°C) for domestic applications - always calculate heat losses. Heat outputs tested in accordance with BS4856 using entering water temperature and 340 l/h (75gph) flow rate. Fan-only option operational only when central heating system is switched off. Dual models include an electric element which in electric heating mode will emit 1kW of heat.

Model	Room Size Guide* (m ³)	Sound Levels		Fascia Grille Finish	Fan-Only
		Normal (dBA)	Boost (dBA)		
Hydronic					
SS80	24	32	40	Stainless Steel	•
SS3	31	26	39	Stainless Steel	•
SS5	37	27	43	Stainless Steel	•
SS7	46	30	44	Stainless Steel	•
SS9	63	41	46	Stainless Steel	•
Hydronic Low Voltage					
SS5 12V	33	31	39	Stainless Steel	•
Hydronic/Electric (Dual)					
SS5 Dual	37	27	43	Stainless Steel	•

Sound levels measured at 1.5m.

Model	Flow & Return Connections	Mains Cable	Transformer	Flexible Hoses	Isolating Valves	Fused Spur	Power Consumption		Water Capacity (Litres)
							Normal (Watts)	Boost (Watts)	
Hydronic									
SS80	15mm	2.0m	n/a	•	n/a	3A	5	10	0.35
SS3	15mm	2.0m	n/a	n/a	n/a	3A	18	25	0.36
SS5	15mm	2.0m	n/a	•	n/a	3A	18	25	0.36
SS7	15mm	2.0m	n/a	•	n/a	3A	21	30	0.38
SS9	15mm	2.0m	n/a	•	n/a	3A	24	35	0.43
Hydronic Low Voltage									
SS5 12V	15mm	0.45m	•	•	n/a	3A	21	30	0.36
Hydronic/Electric (Dual)									
SS5 Dual	15mm	2.0m	n/a	•	n/a	5A	18	25	0.36
							1009	1013	n/a

■ In hydronic mode ■ In electric mode

Accessories



Wall-mounted room thermostat



Wall-mounted on/off switch



Brown



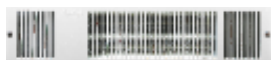
Gold



Black



Chrome



White



Aluminium

Alternative Grille Finishes

Space Saver models are supplied with a detachable brushed steel fascia grille. Fascia grilles are also available in the above colours.

Space Saver

Fascia Grille Finish

Stainless Steel

Installation

Important: Correct fascia grille opening must be cut to allow sufficient air intake

- 20mm clearance above unit required
- Model secured to plinth by two screws through fascia grille
- Unit must be earthed (not 12 volt SELV)
- Suitable for two-pipe central heating systems only
- SS80 supplied with detachable cable
- SS80 models have easy fit thermostat facility

Accessories

Wall-mounted room thermostat

SS80: Grilles: brown - RAL 8016, black - RAL 9005, white - RAL 9010

All other models: Grilles: brown - RAL 8016, black - RAL 9005, white - RAL 9010, chrome, aluminium, gold

Wall mounted control switch (white) to suit SS3, SS5, SS5/12V, SS7, SS9

Commissioning

Check water temperature is hot enough to activate low temperature cut-out thermostat (LTC). Vent screw accessible through fascia grille

Controls

Single rocker switch - low/off/normal

SS80: Low temperature cut-out thermostat set to energise fan at approximately 35°C

SS5 W/Dual: three rocker switches, heating/off/fan-only, hydronic/electric, normal/boost

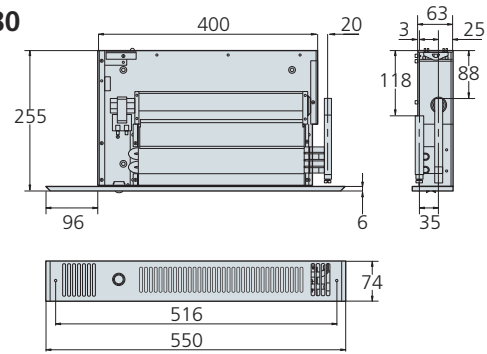
Low temperature cut-out thermostat set to energise fan at approximately 35°C

All other models: two rocker switches -normal/off/boost, heating/fan-only

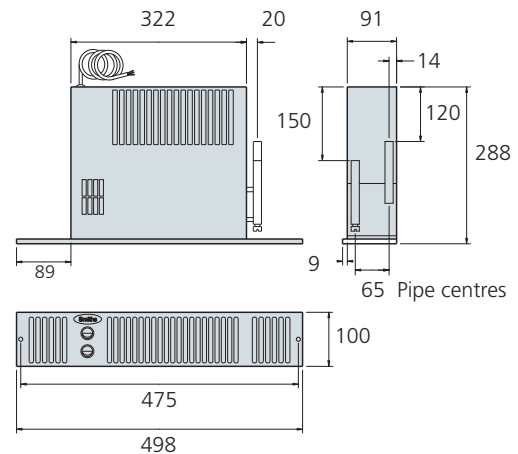
Low temperature cut-out thermostat set to energise fan at approximately 35°C

See Glossary on page 46 for further information on Accessories

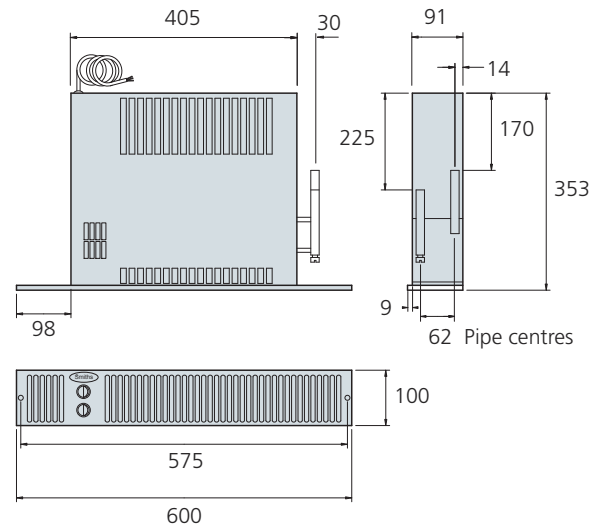
SS80



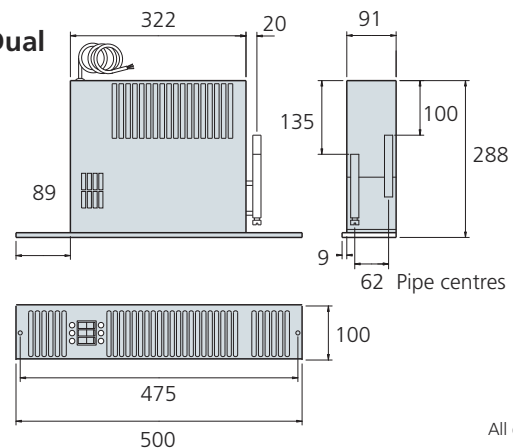
SS3, SS5, SS5 12V, SS7



SS9



SS5 Dual



All dimensions in mm

Space Saver

The Space Saver offers increased flexibility and space in kitchen design as it enables the removal of radiators that may be using up valuable wall space. Fitting discreetly into the plinth of a kitchen, the Space Saver provides efficient and effective heat at low level.



Model shown SS2E, other models have different grille and switch configurations.



Model	Heat Output (kW)	Power Consumption (kW)	Fused Spur	Mains Cable (m)	Sound Levels (dBA)	Fascia Grille Finish** Colour	Fan-Only
Electric							
Space Saver SS3E	1kW/2kW/3kW	1kW/2kW/3kW	13A	2.0	42	Brushed Steel	•
Space Saver SS2E	1kW/2kW	1kW/2kW	10A	2.0	42	Brushed Steel	•
Space Saver SS80E	0.6kW/1.2kW	0.6kW/1.2kW	10A	2.3	38	Stainless Steel	•

Sound levels measured at 1.5m.

Space Saver

Fascia Grille Finish** - SS2E and SS3E

Zinc coated steel polyester, powder coated - metallic silver (referred to as Brushed Steel)

Fascia Grille Finish - SS80E

Stainless Steel

Installation

- Important: Correct fascia grille opening must be cut to allow sufficient air intake
- SS2E and SS3E - 20mm clearance above unit required
 - SS80E - 10mm clearance above unit required
 - Model secured to plinth by two screws through fascia grille
 - Unit must be earthed

Accessories - SS2E

Wall-mounted room thermostat

Grilles: brown - RAL 8016, black - RAL 9005, white - RAL 9010, chrome, aluminium, gold

Alternative grilles for SS2E fit over the supplied grille

Wall-mounted control switch (white) to suit SS2E

Accessories - SS80, SS80E

Wall mounted room thermostat

Grilles: brown - RAL 8016, black - RAL 9005, white - RAL 9010

Controls

Overheat protection: thermal cut-out. Manual reset procedure: switch power off at unit or mains, wait 5 minutes, switch power on

SS2E - three rocker switches On/off, 1kW, 2kW

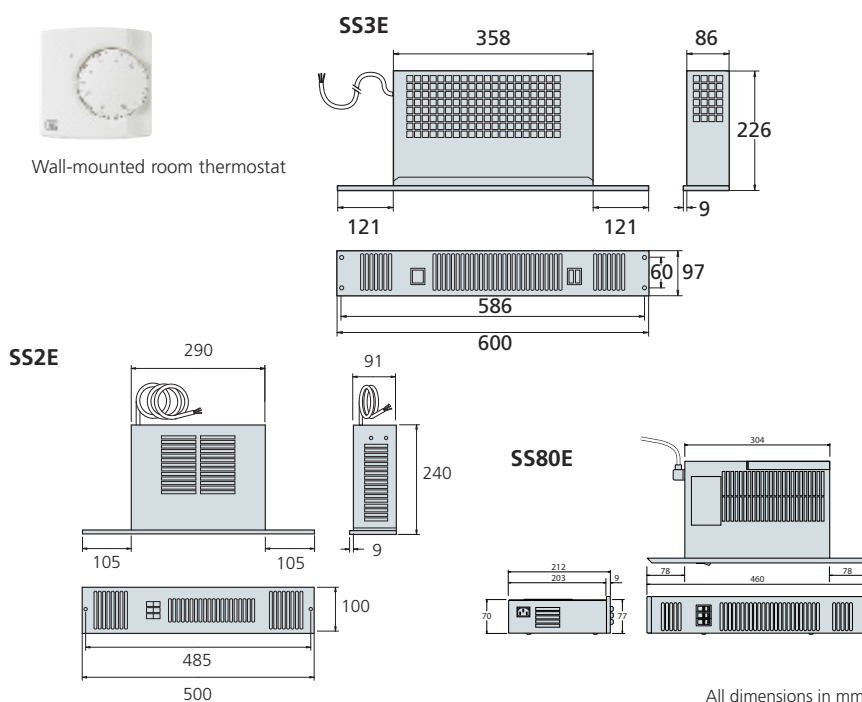
SS3E - Push on/off switch, two rockers switches 1kW, 2kW, 3kW

SS80E - three rocker switches On/off, 0.6kW, 1.2kW

See Glossary on page 46 for further information on Accessories



Wall-mounted room thermostat



All dimensions in mm

Additional information

Electric fan-assisted heaters cost around 15p per hour for each 1kW of heat. Hydronic models available.