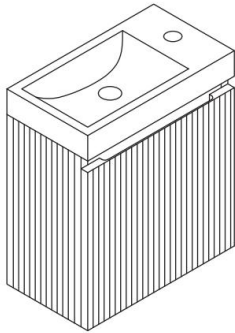
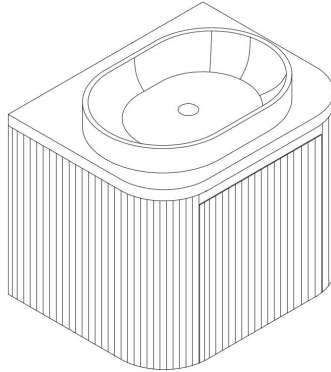


# LINEA Instructions of assembly

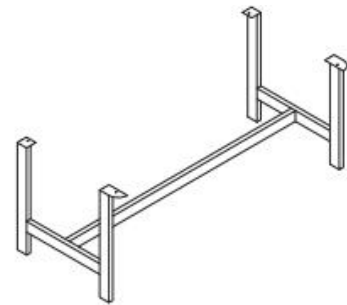
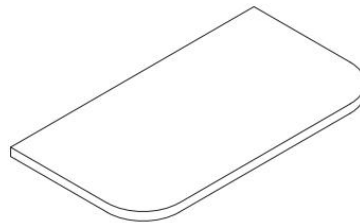
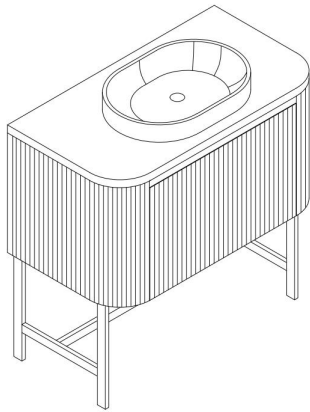
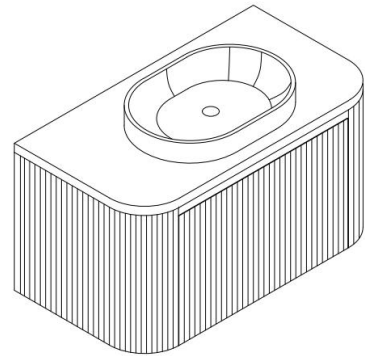
LINEA-CL



LINEA-600



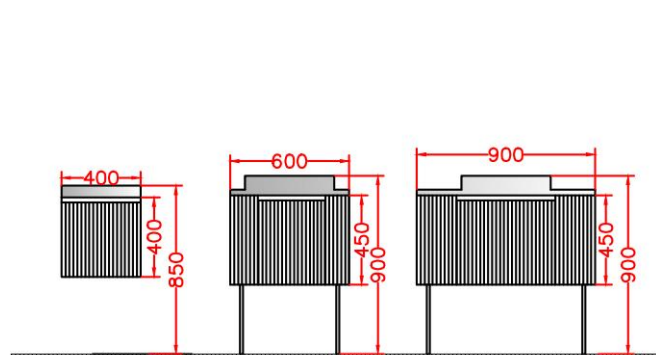
LINEA-900



## LINEA Instructions of assembly

### Tool Needed

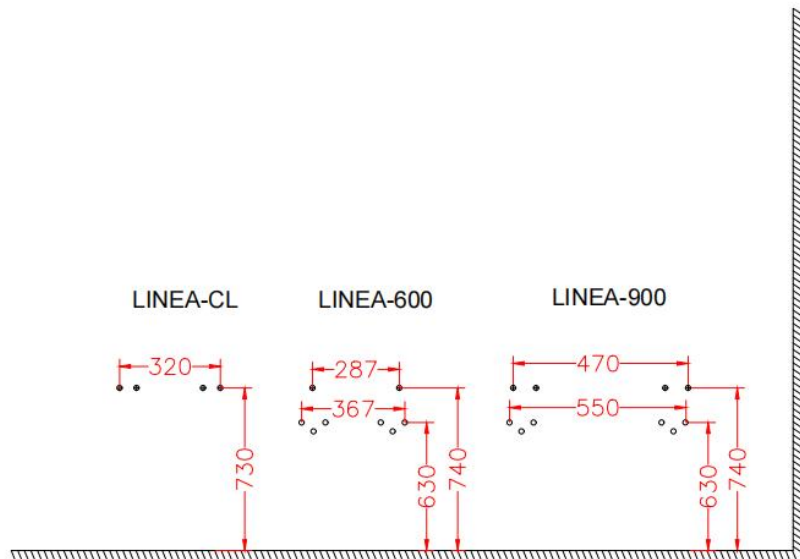
1. Tape measure(Max 3 Metre)
2. Spirit level
3. Cross head Screw driver
4. Electric drill
5. Hammer



## STEP 1)

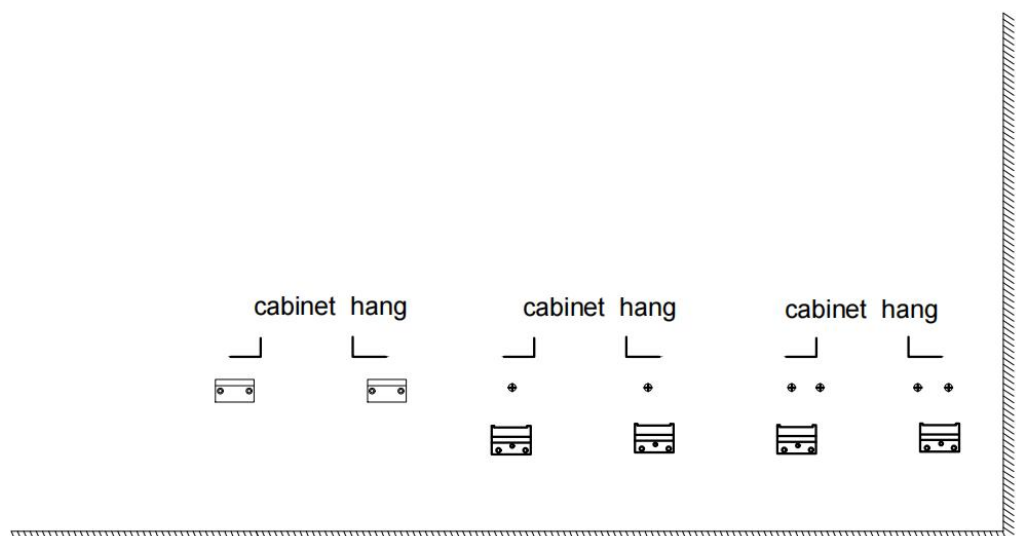
Mark the distance with pencil on the wall as the drawing shows.

Then drill holes on the wall with Electric drill.



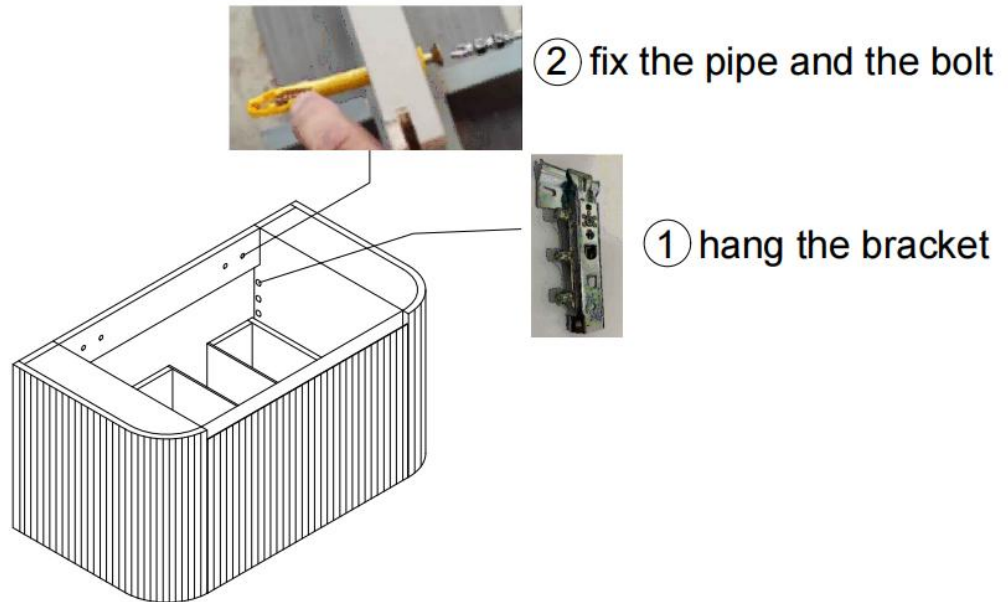
## STEP 2)

Fix aluminium alloy hanger onto the wall.



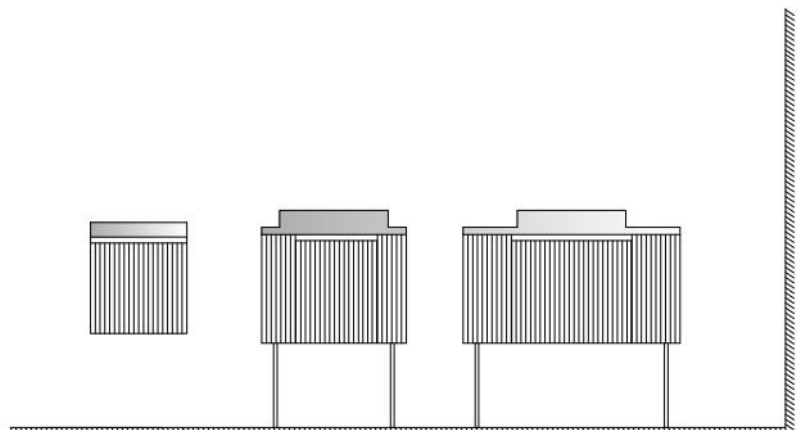
### STEP 3)

Make sure the yellow expansion pipe and the expansion bolt is fixed from the cabinet back panel to the wall.



### STEP 4)

Hang cabinet unit on the wall and adjust perfectly



## STEP 5)

Put the basin or worktop on the cabinet.  
Add with silicon.

