

**SANIFLOOR+3**  
182 | 01.18

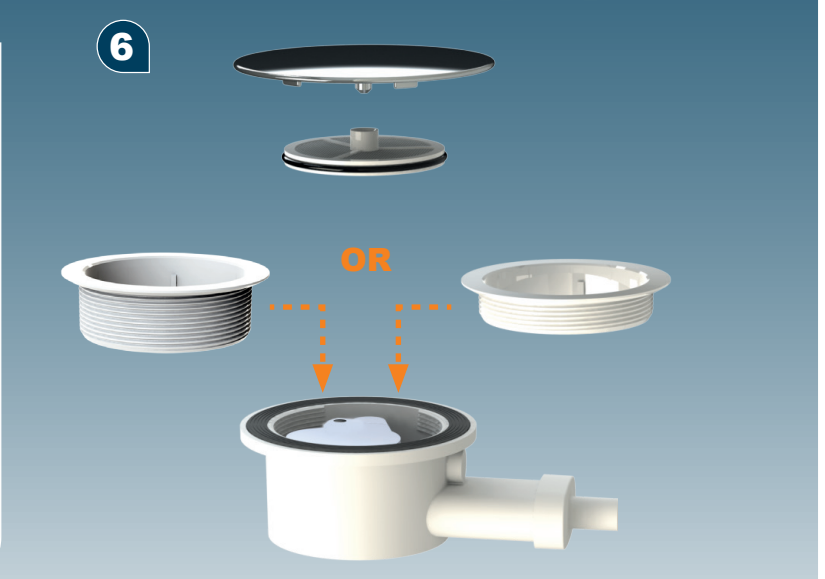
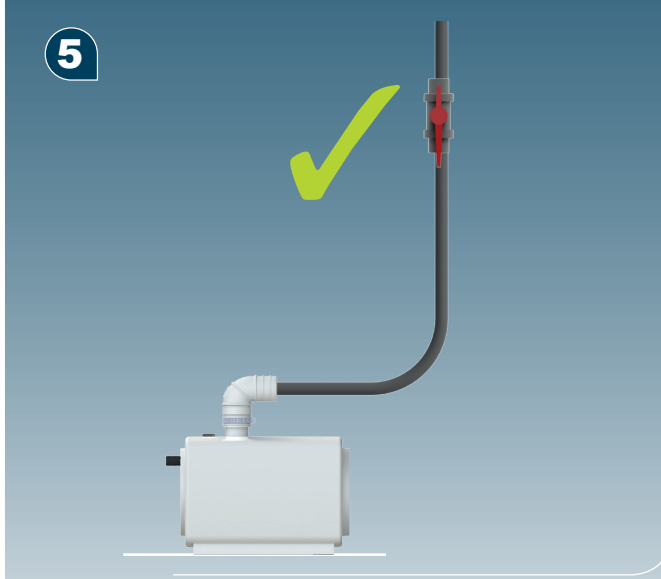
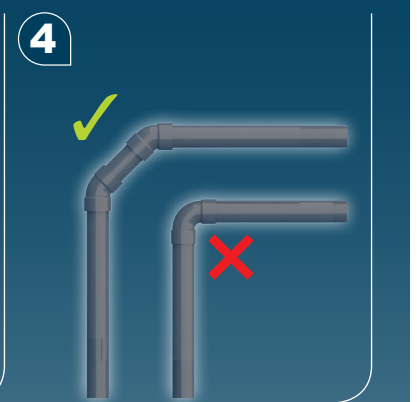
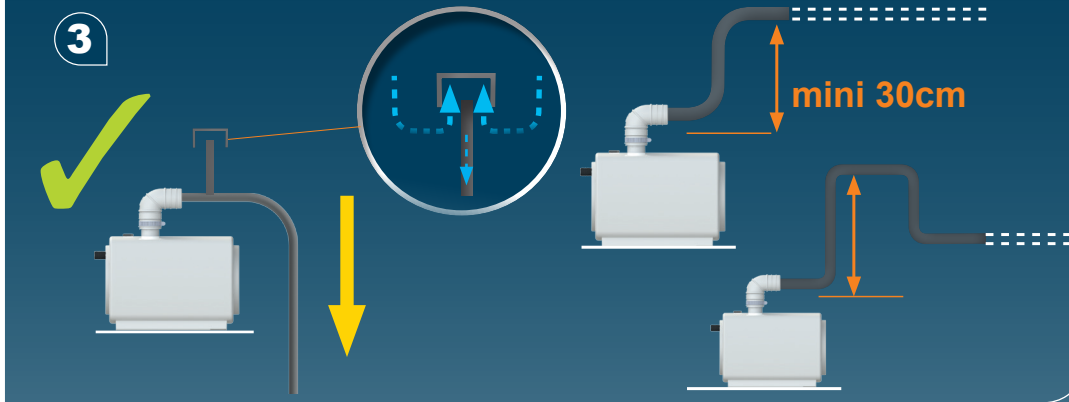
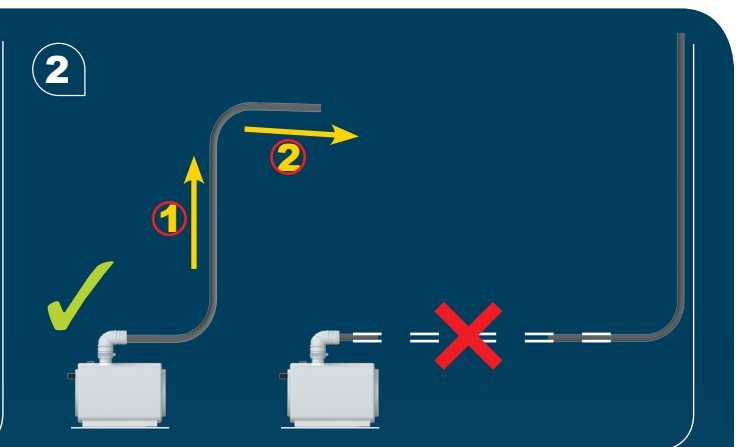
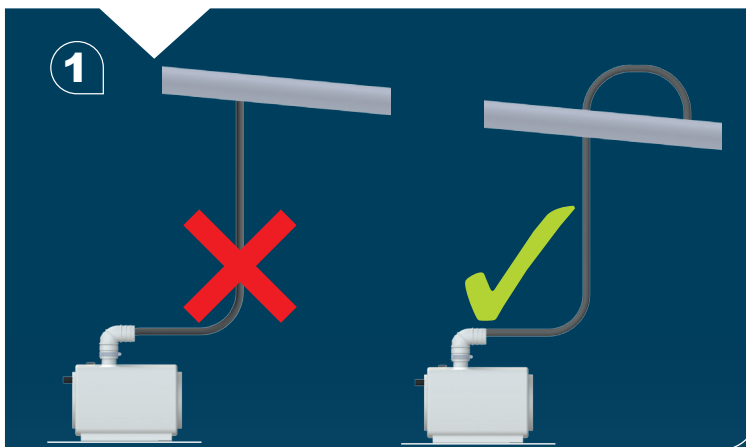
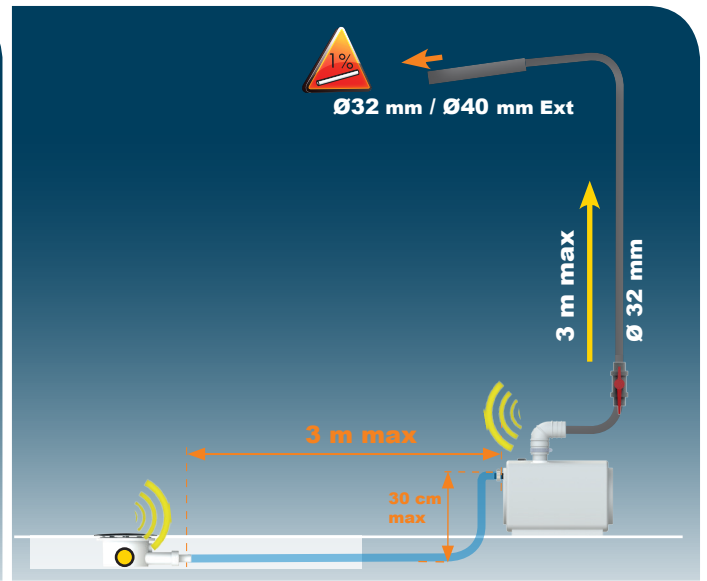
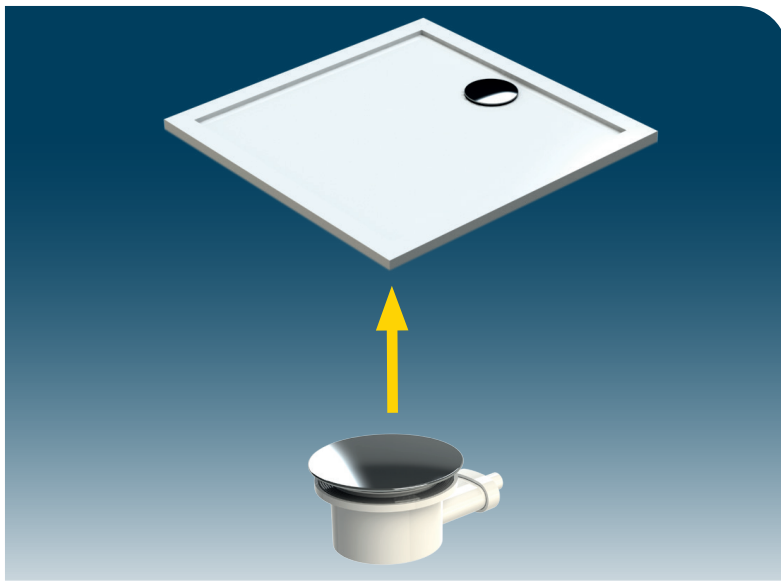
# SFA

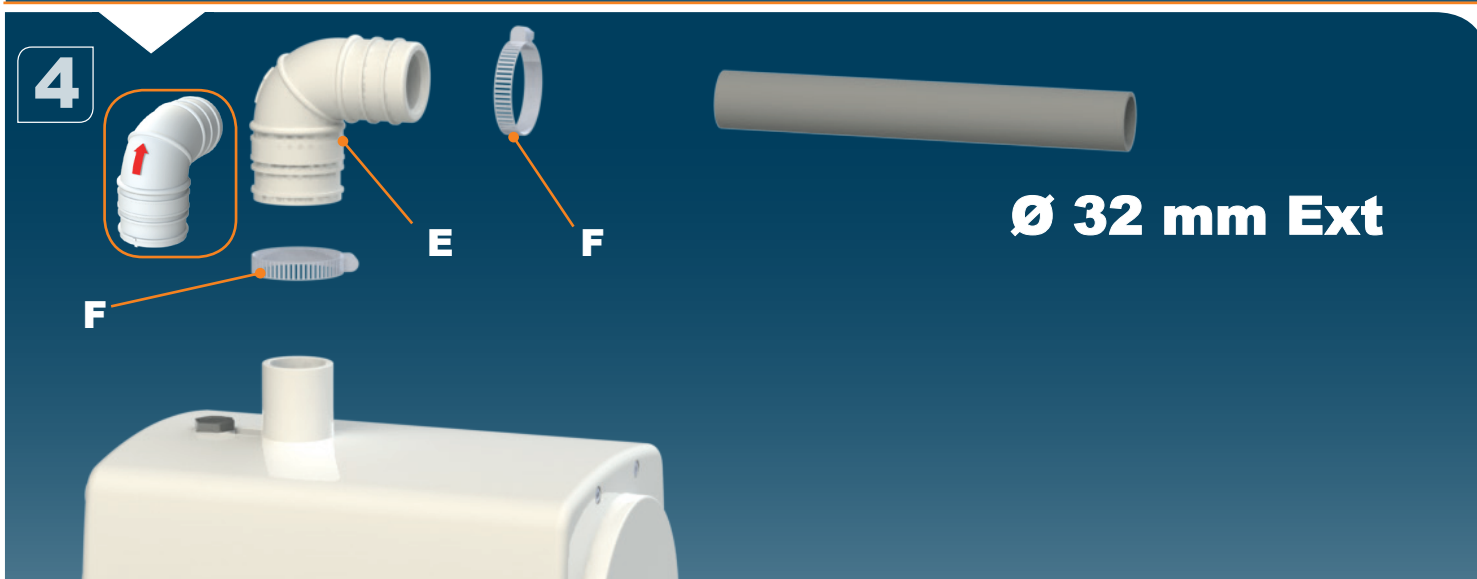
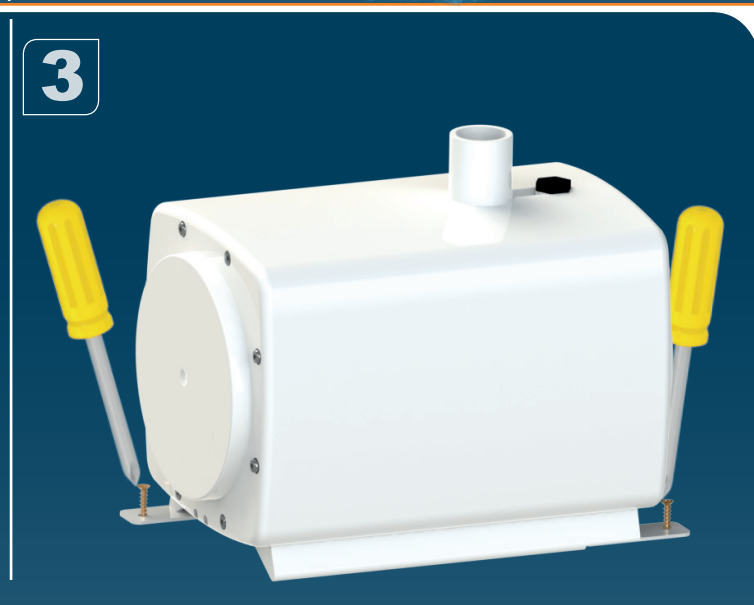
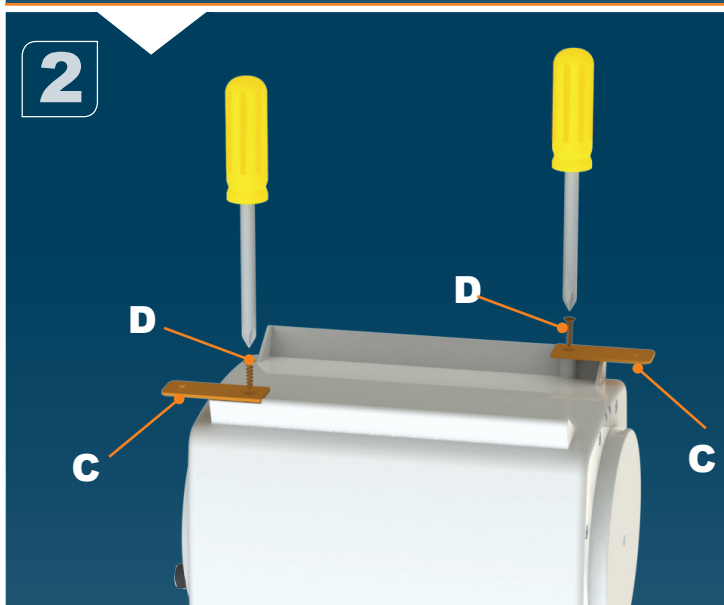
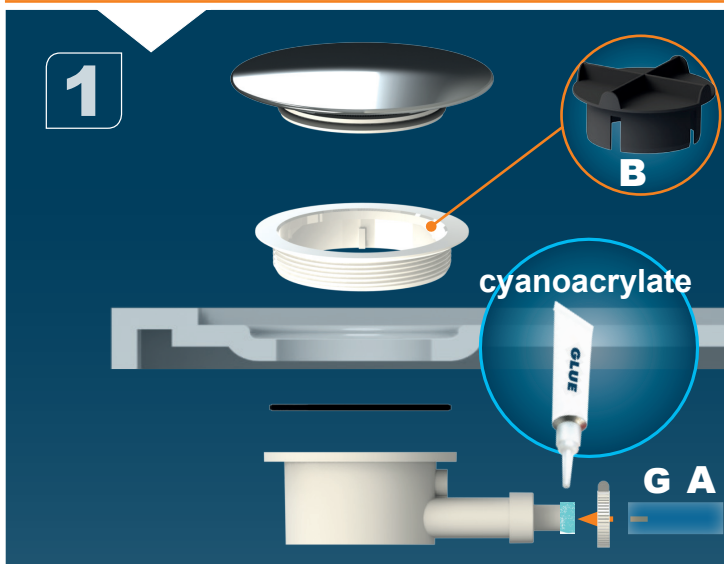
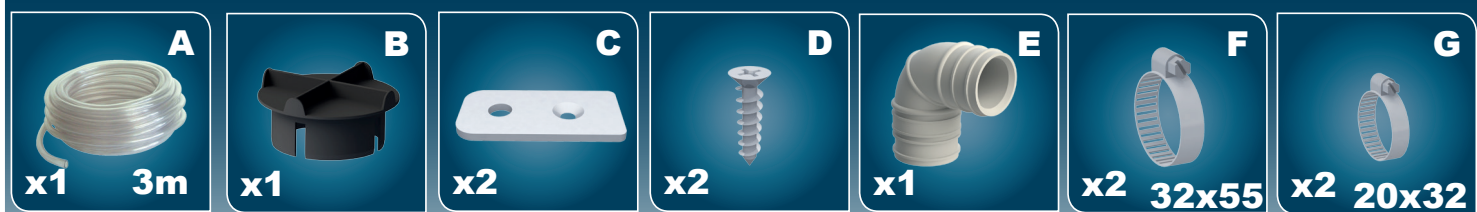


**SANIFLOOR<sup>®</sup>+3**

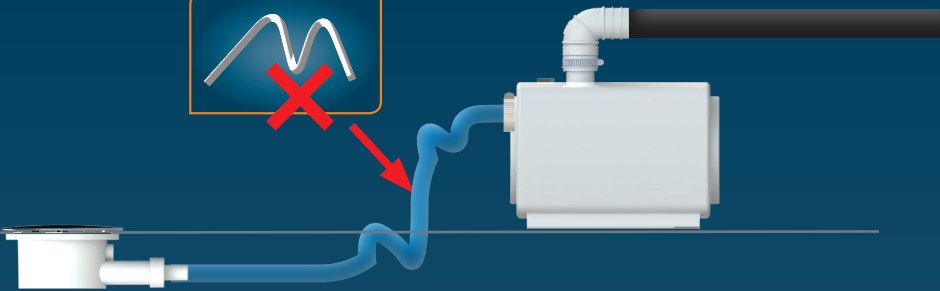
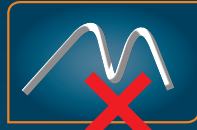
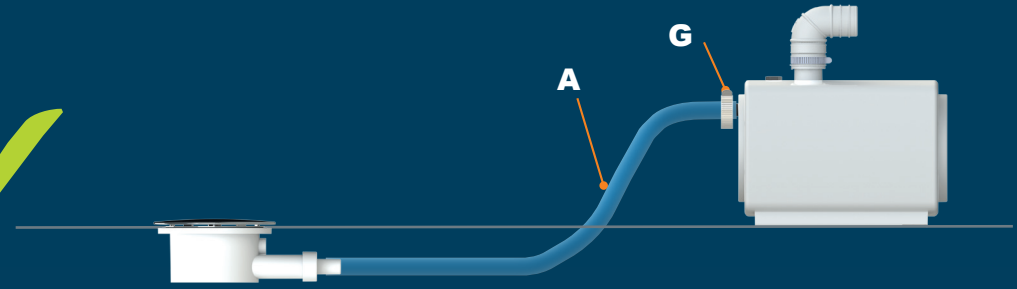
 INSTALLATION INSTRUCTIONS

CE

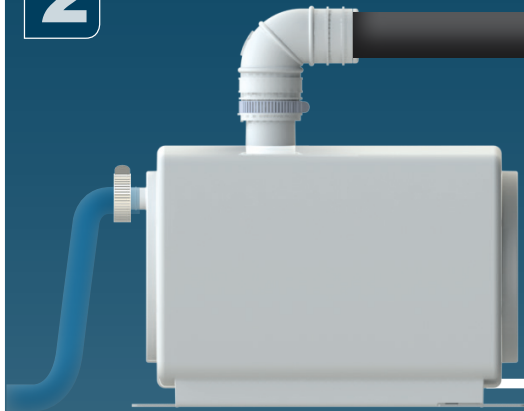




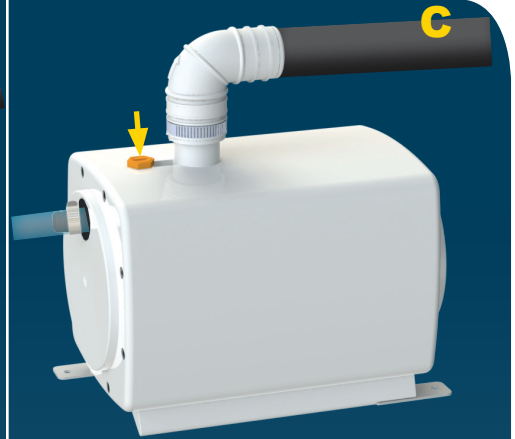
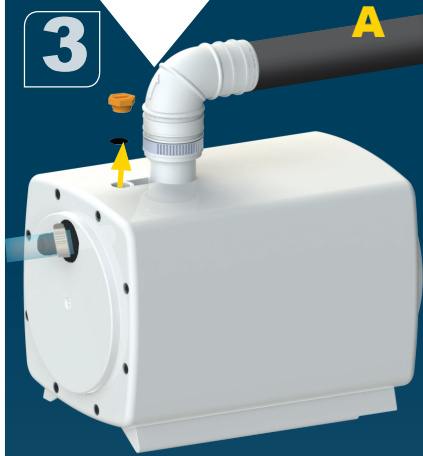
1



2



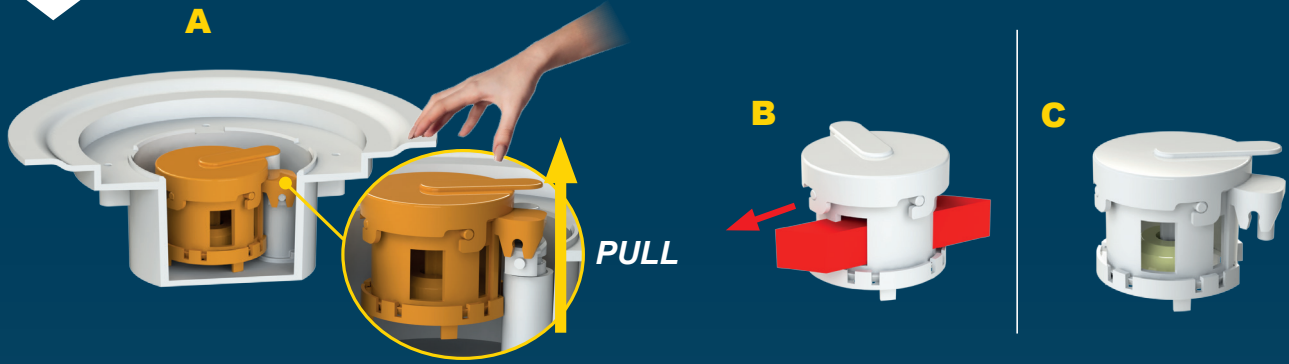
3



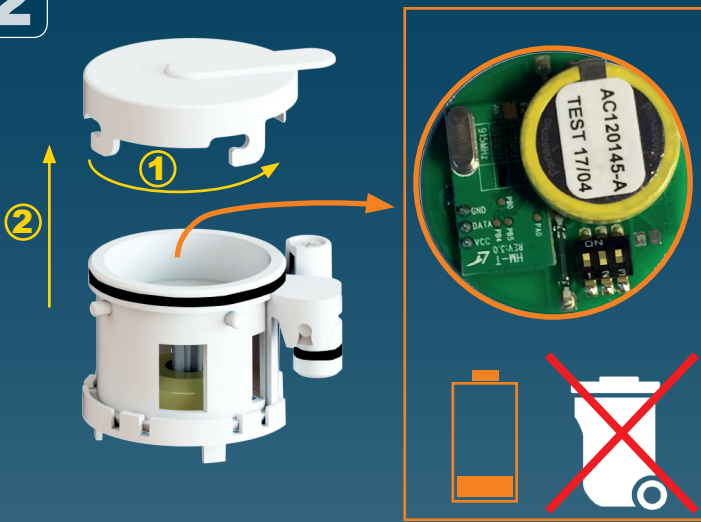
4



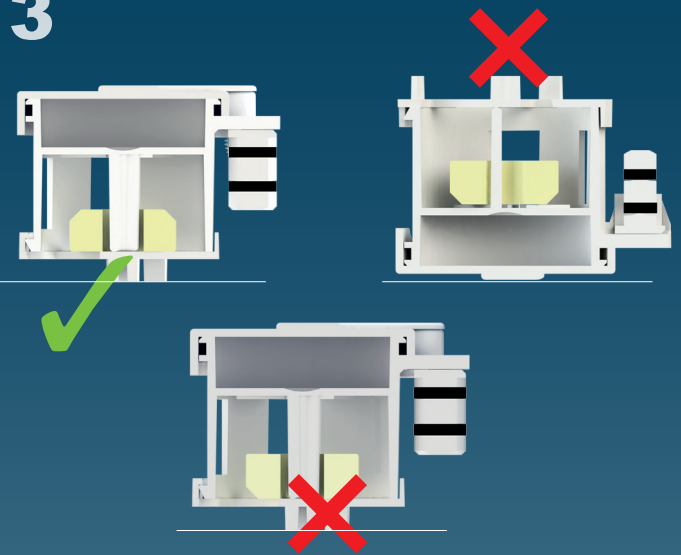
1



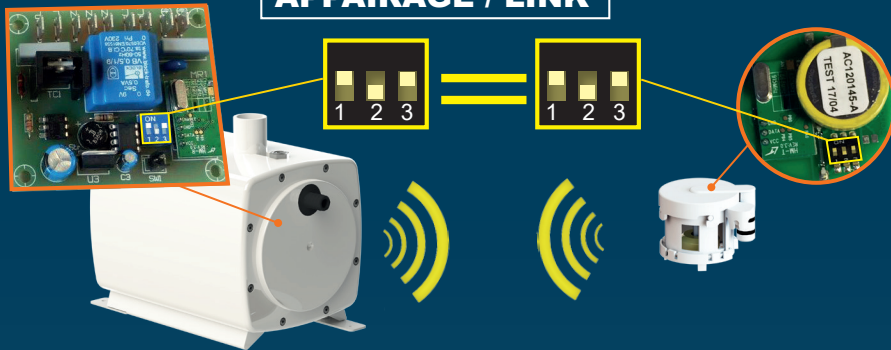
2

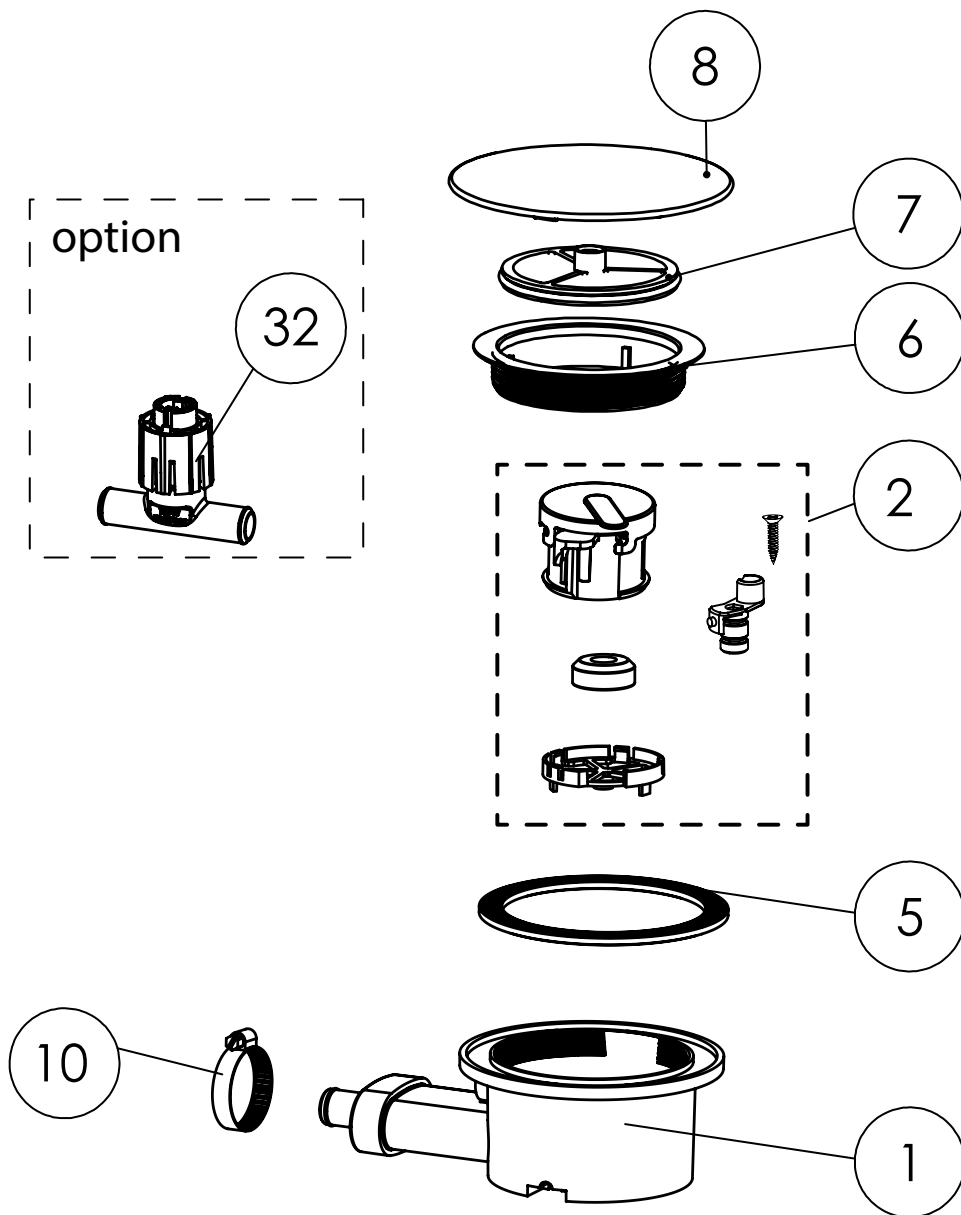
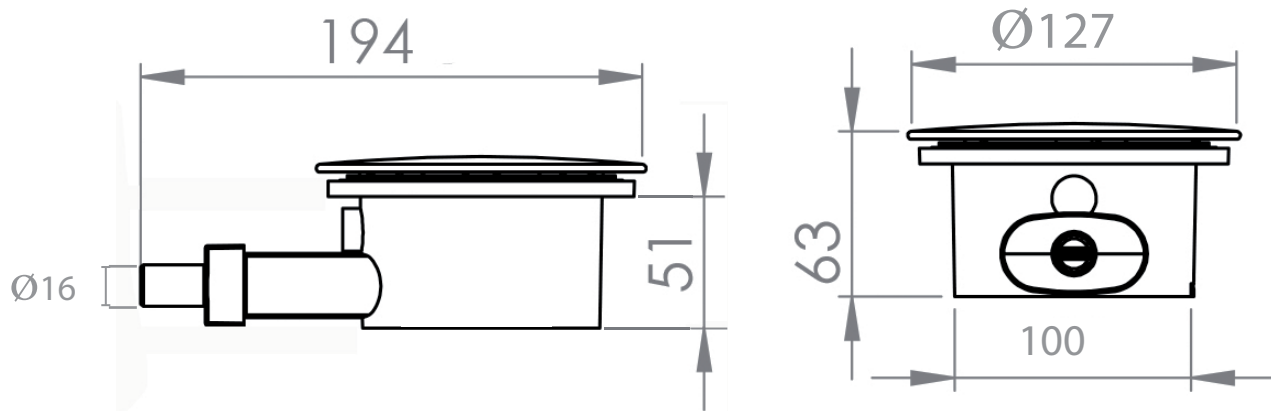


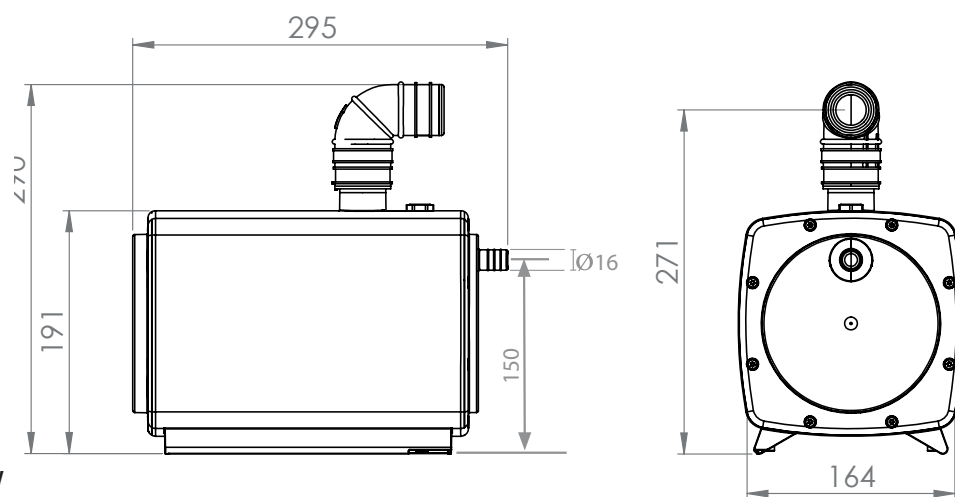
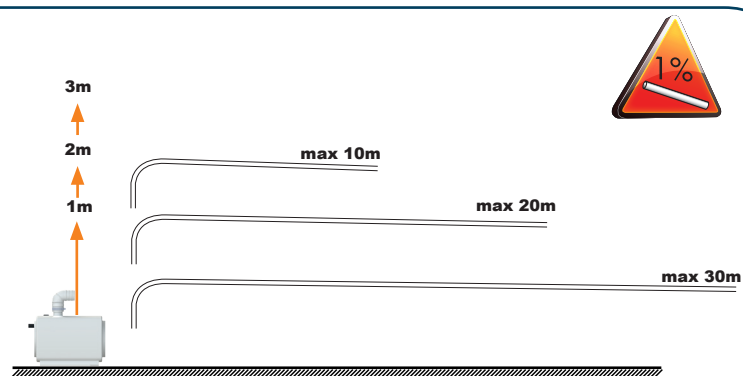
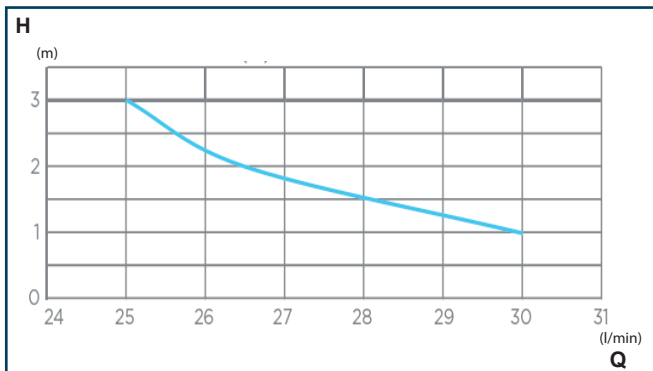
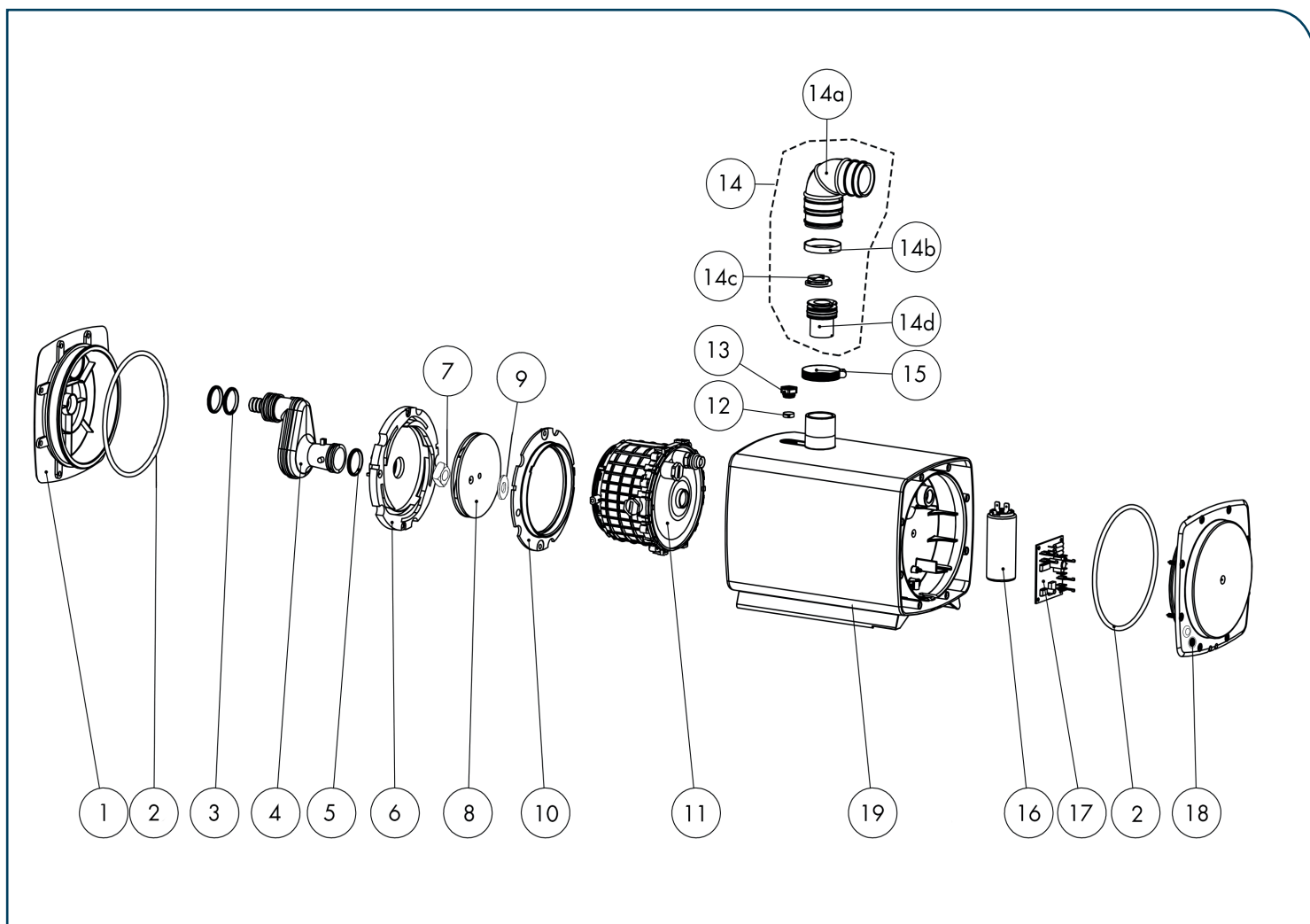
3



### APPARAGE / LINK







**SANIFLOOR+3**

220-240V - 50-60Hz - 400 W

IP44 - 1,7A - ⚡ Classe 1

## **Check out our full range of macerators**

Saniflo Macerators

Flo-Force Macerators

Stuart Turner Macerators

Grundfos Macerators

## **Don't Forget These Macerator Accessories from Saniflo**

Saniflo Sani Alarm

Saniflo Descaler

**plumbworld**  
**Big brands, small prices.**