

**SANIBROYEUR**  
1710 07.16

# SFA



**SANIBROYEUR® UP**

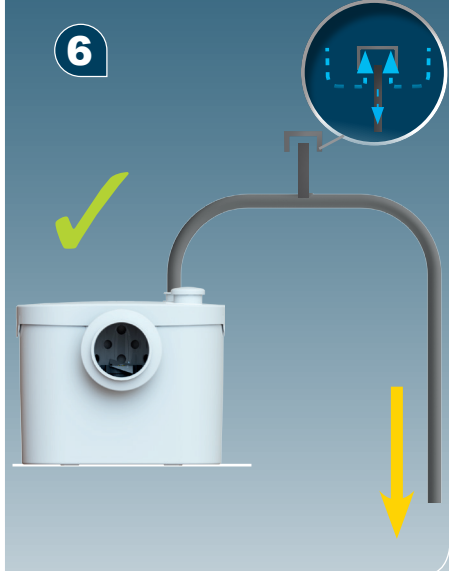
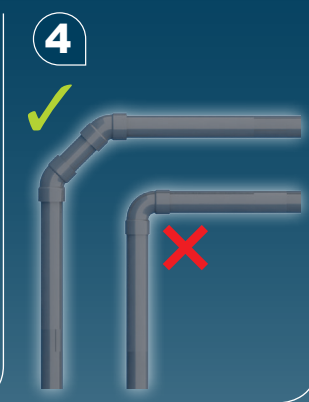
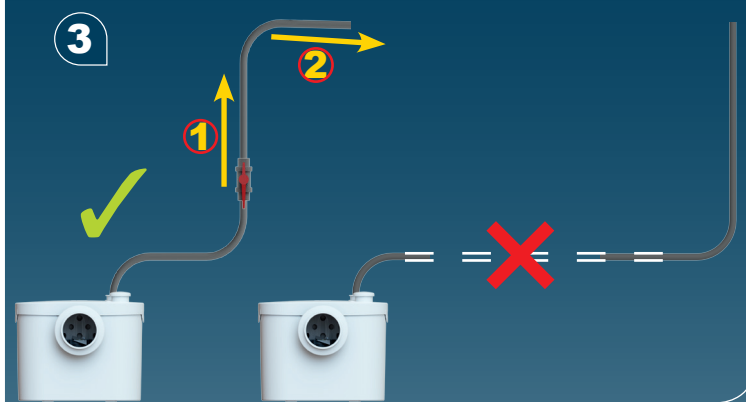
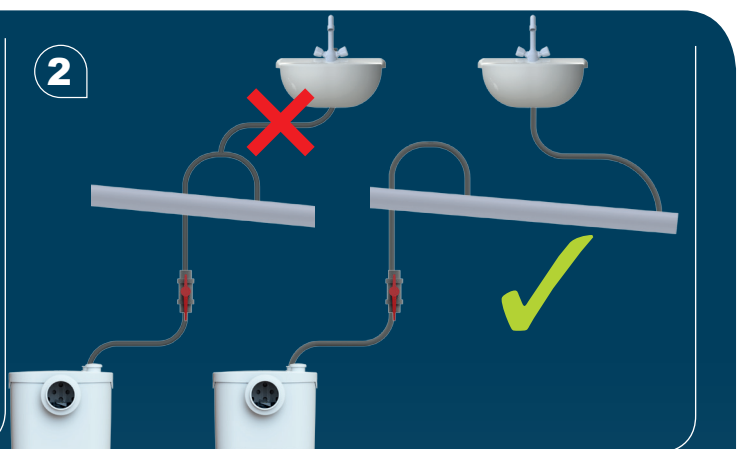
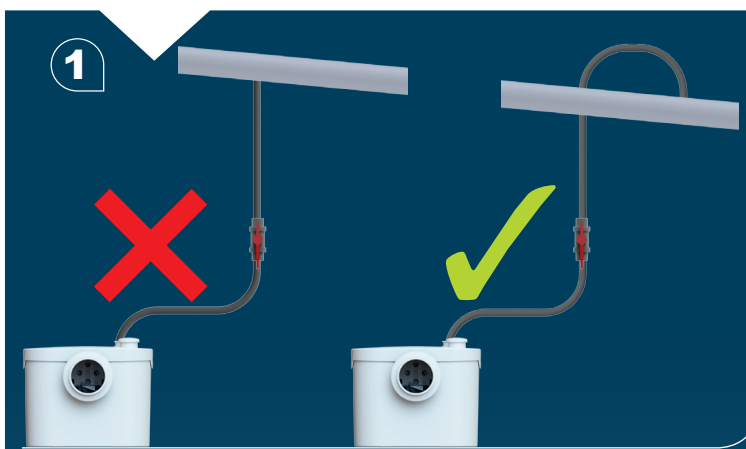
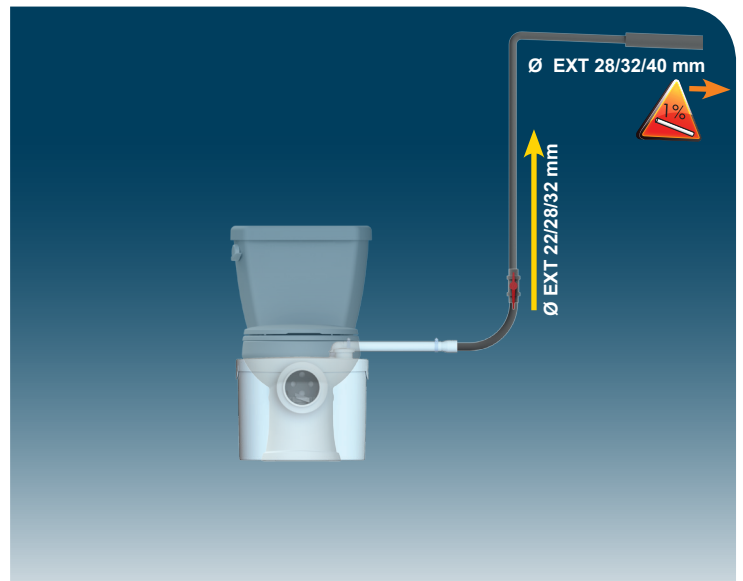
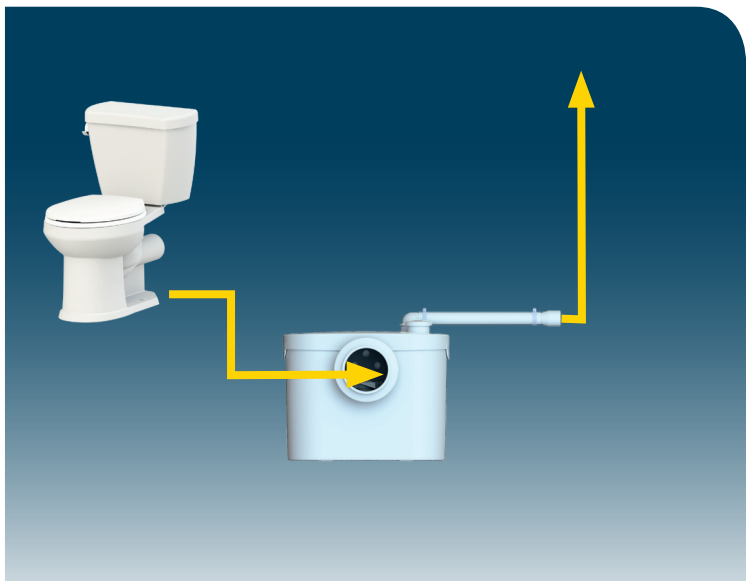
**SANIBROY® UP**

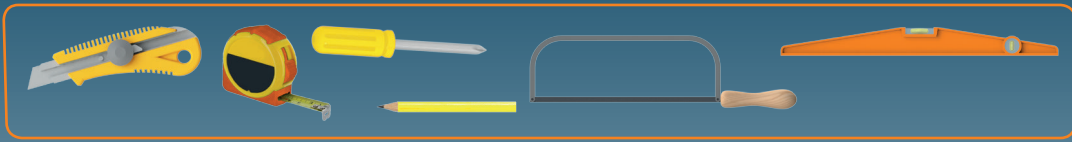
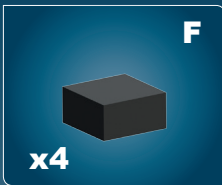
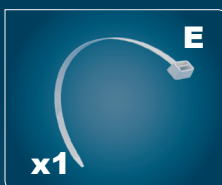
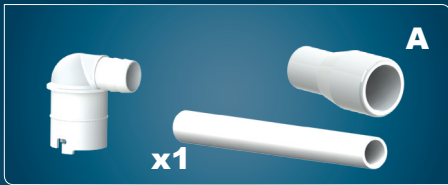
**SANIFLO® UP**

**SANITRIT® UP**

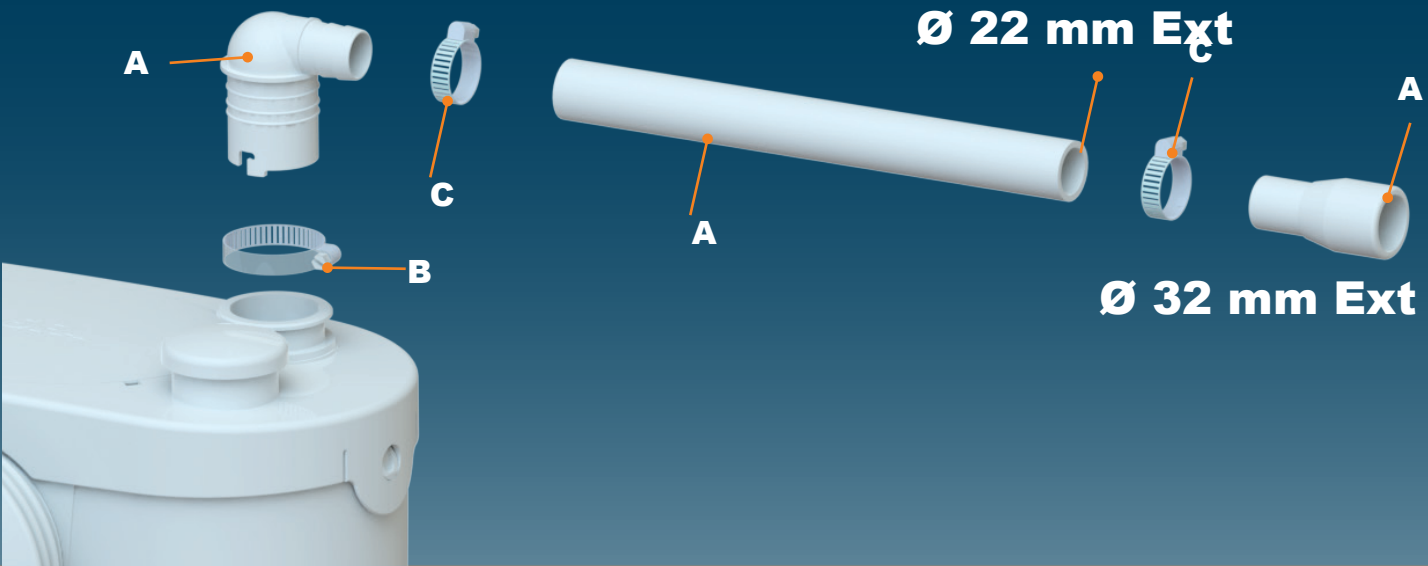
 INSTALLATION INSTRUCTIONS

CE





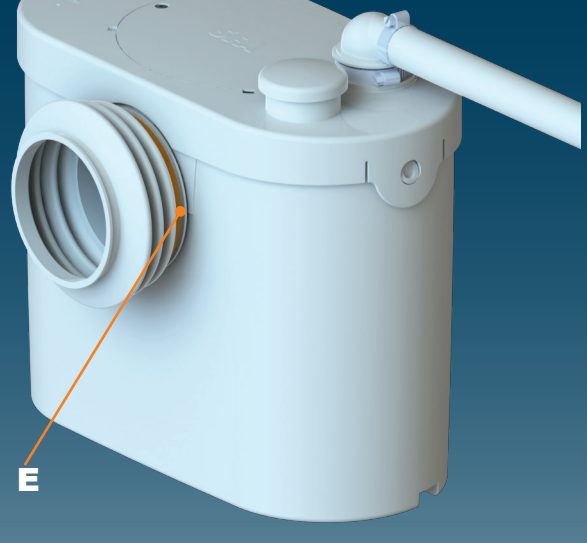
**1**

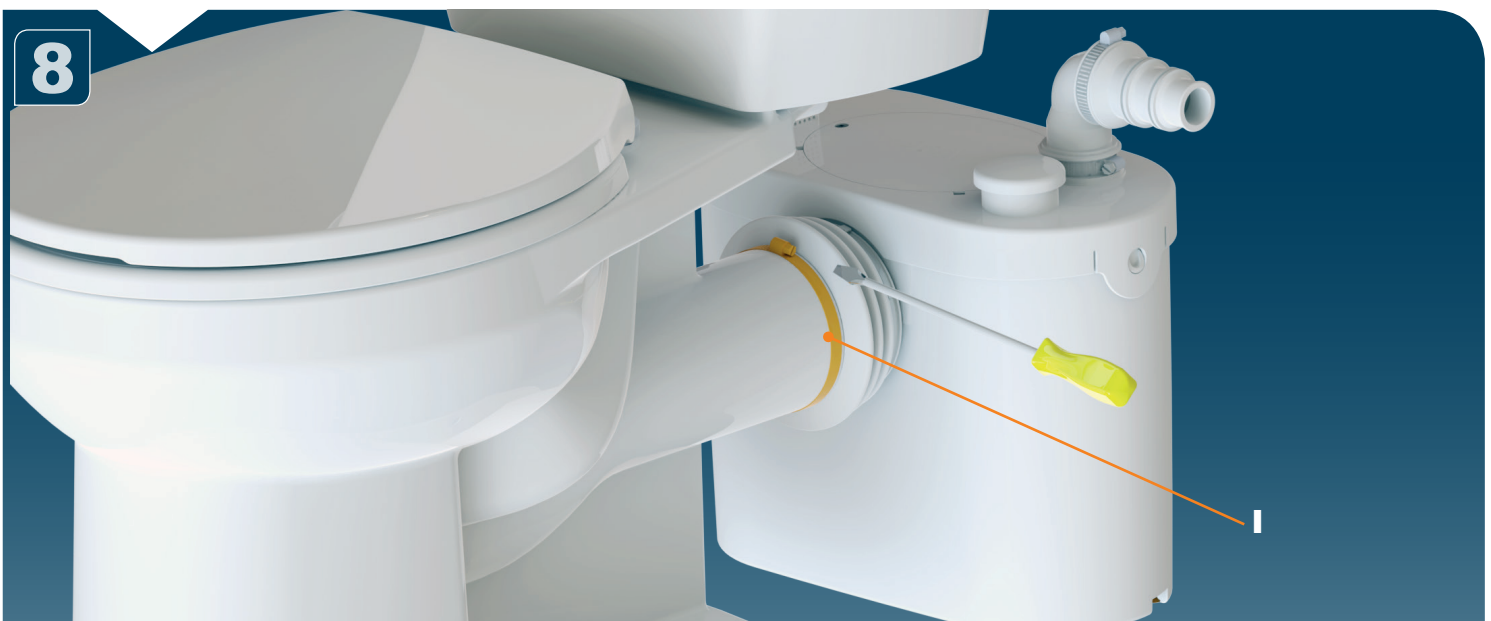
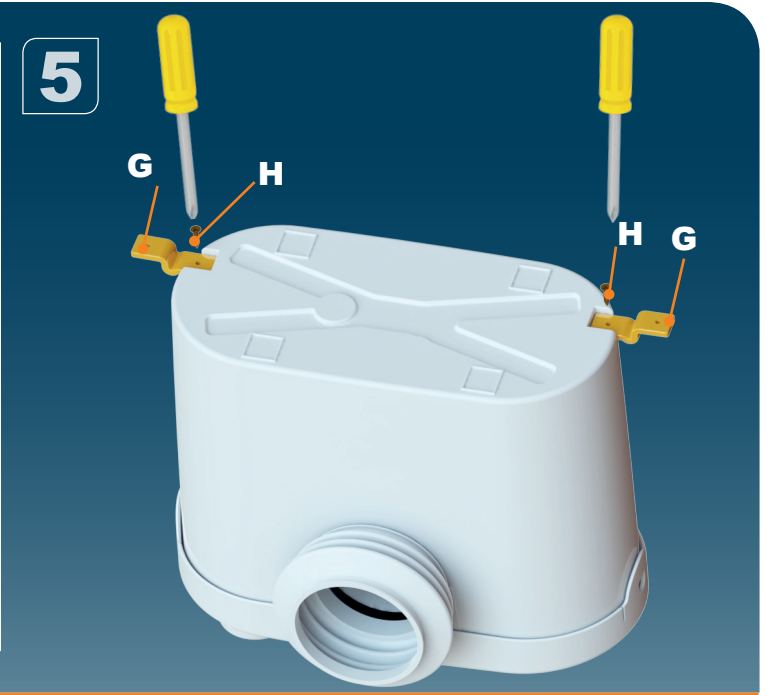
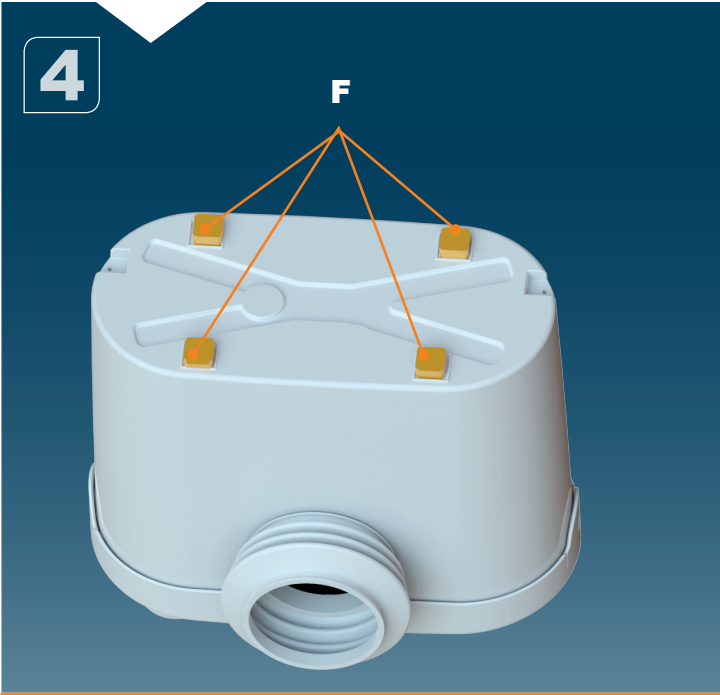


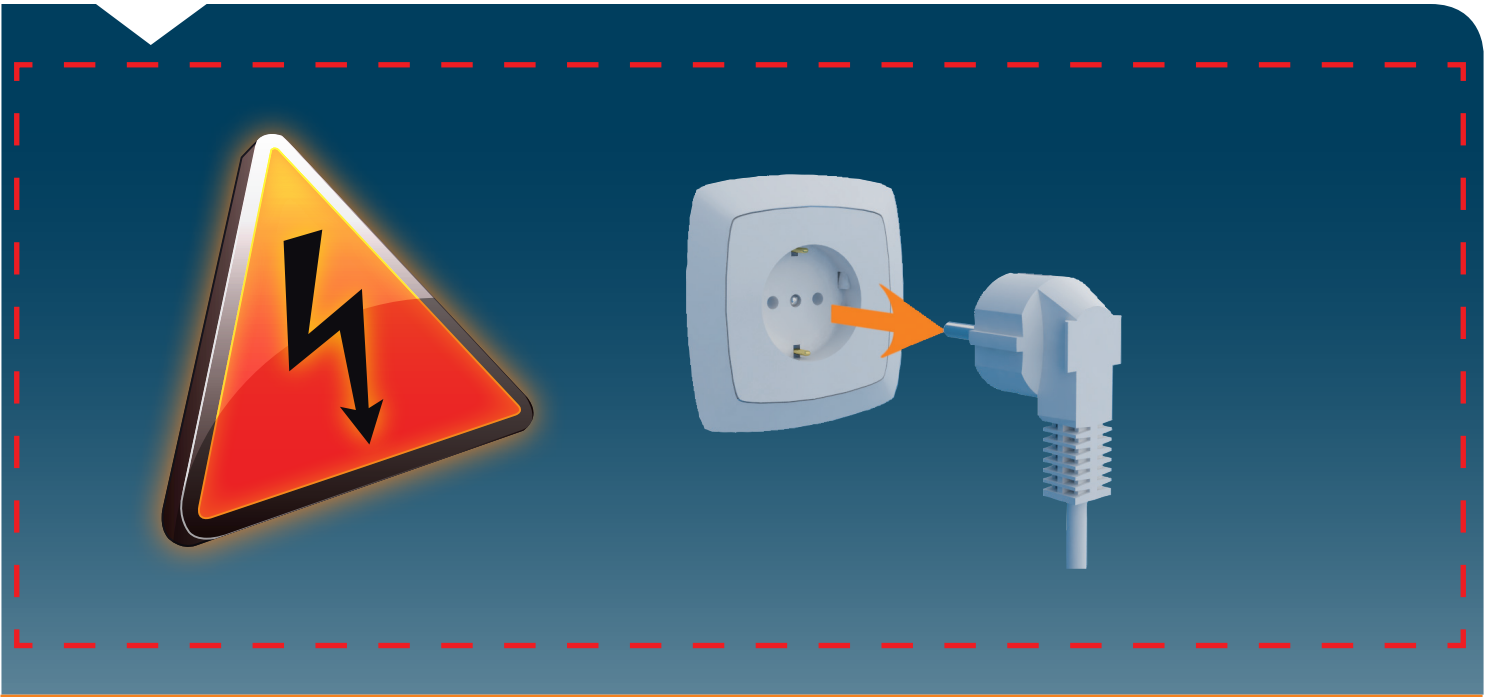
**2**

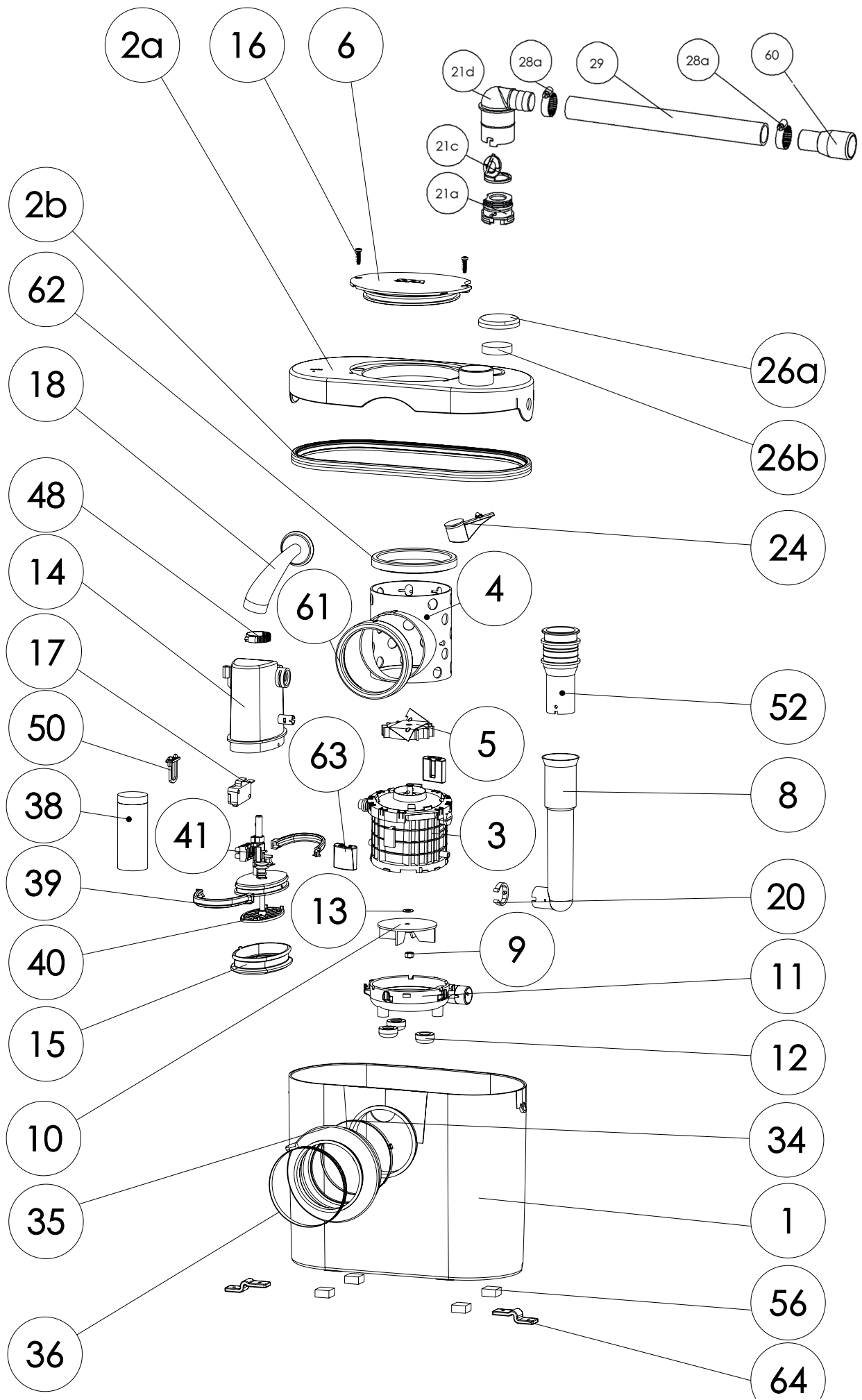


**3**

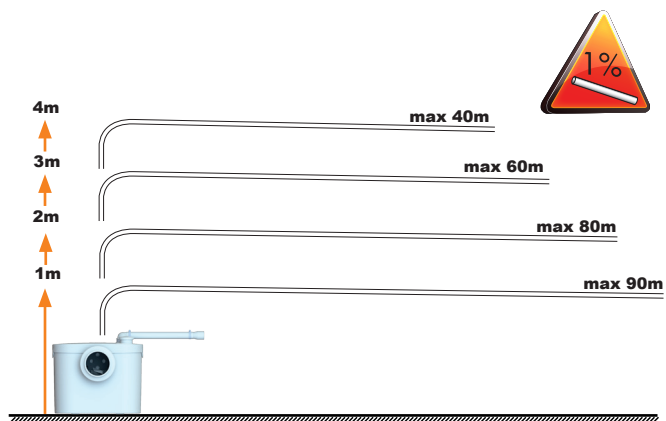
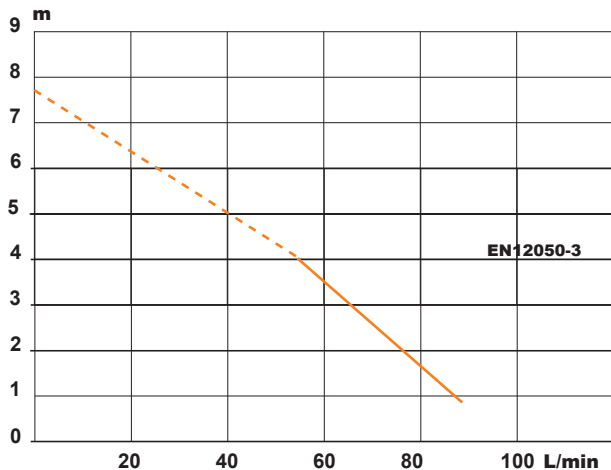







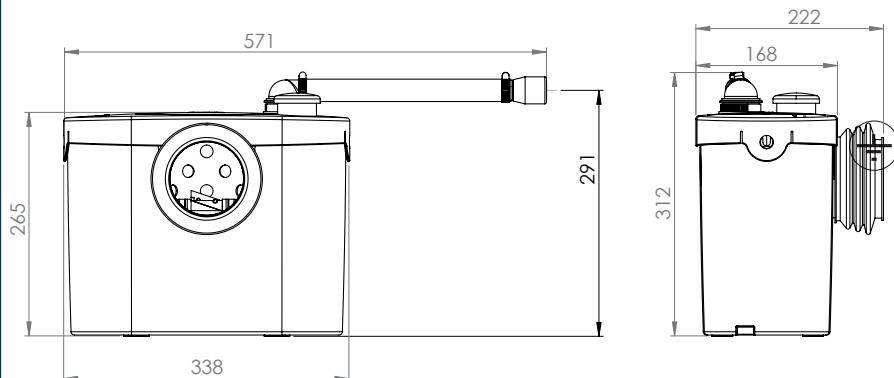






## SANIBROYEUR UP

**K70**  
**220-240 V - 50/60 Hz**  
**400 W - IP44 - 1,9A -**  
 **(class 1) - 5,4 Kg**  
**EN 12050-3**



### UNITED KINGDOM

**SANIFLO Ltd.**  
 Howard House, The Runway  
 South Ruislip Middx.,  
 HA4 6 SE  
 Tel. +44 208 842 0033  
 Fax +44 208 842 1671

### IRELAND

**SANIRISH Ltd**  
 IDA Industrial Estate  
 Edenderry - County Offaly  
 Tel. + 353 46 9733 102  
 Fax + 353 46 97 33 093

### SERVICE HELPLINES

	TEL	FAX
United Kingdom	08457 650011 (Call from a land line)	020 8842 1671
Ireland	1850 23 24 25 (LOW CALL)	+ 353 46 97 33093

Service information : [www.sfa.fr](http://www.sfa.fr)

## **Check out our full range of macerators**

Saniflo Macerators

Flo-Force Macerators

Stuart Turner Macerators

Grundfos Macerators

## **Don't Forget These Macerator Accessories from Saniflo**

Saniflo Sani Alarm

Saniflo Descaler

**plumbworld**  
**Big brands, small prices.**