

# SFA

111

07.12  
IND1

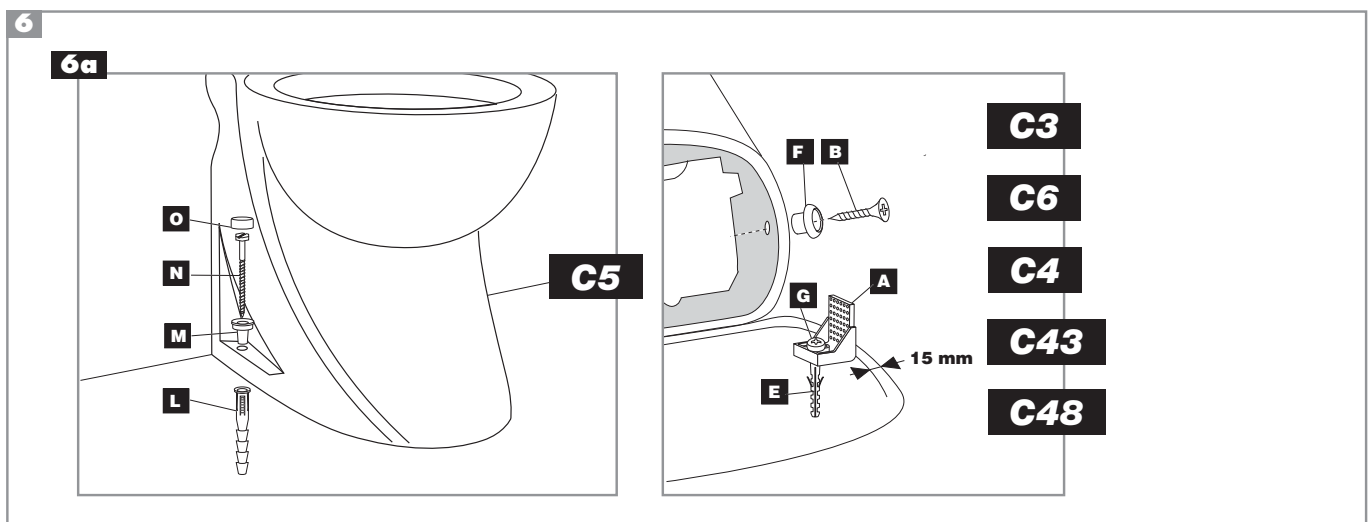
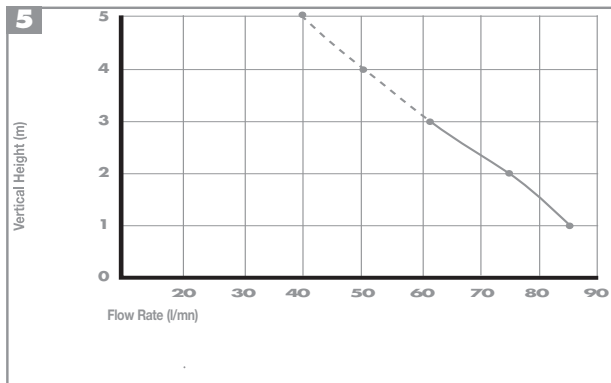
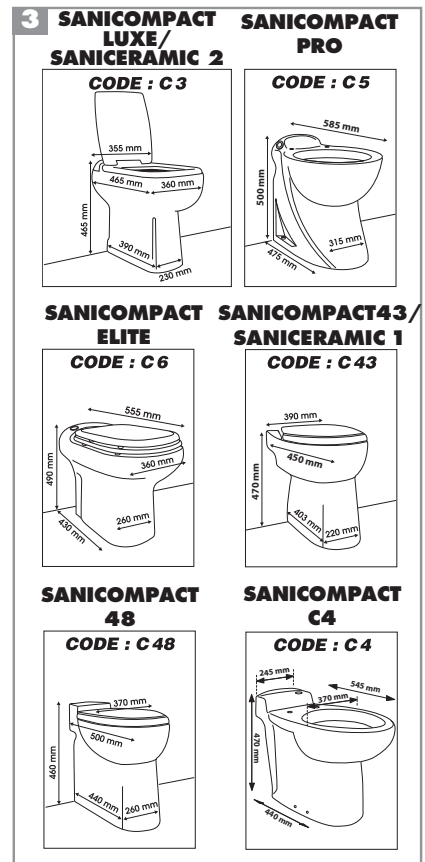
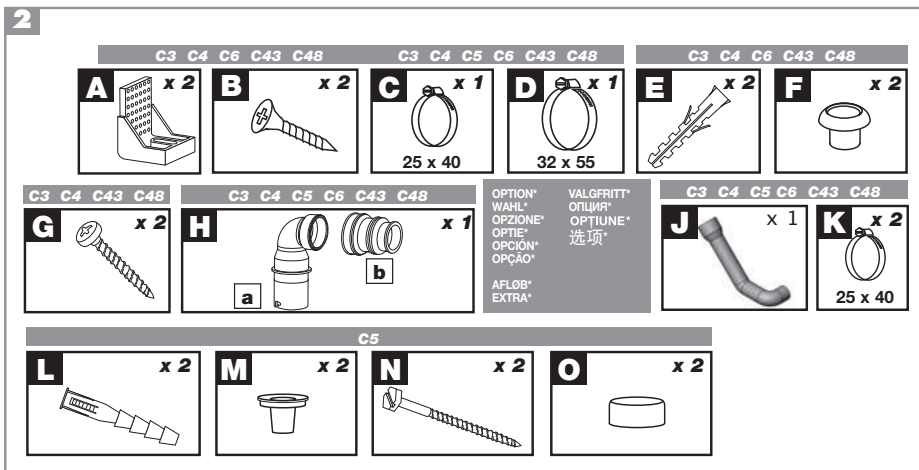
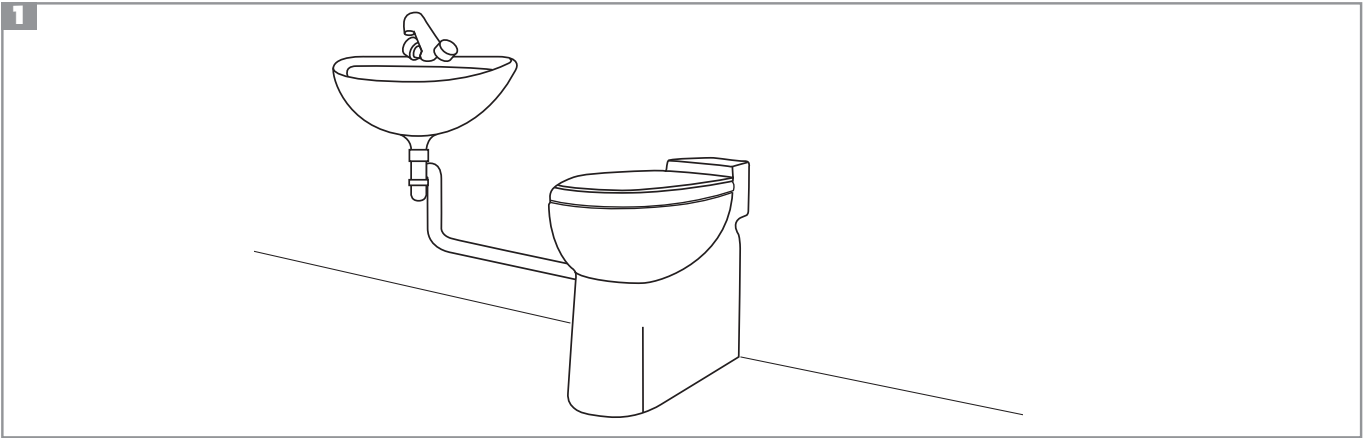


- The user should retain these instructions for future reference



## INSTALLATION INSTRUCTIONS

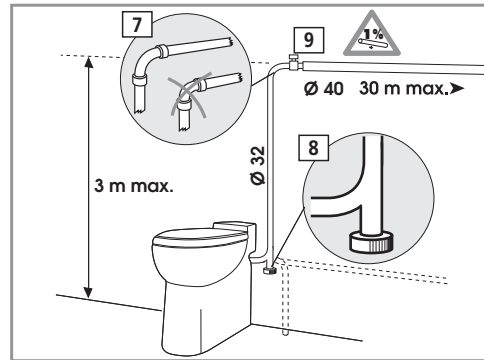
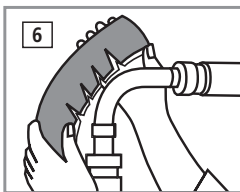
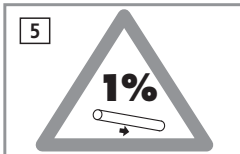
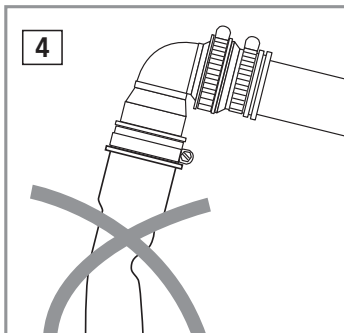
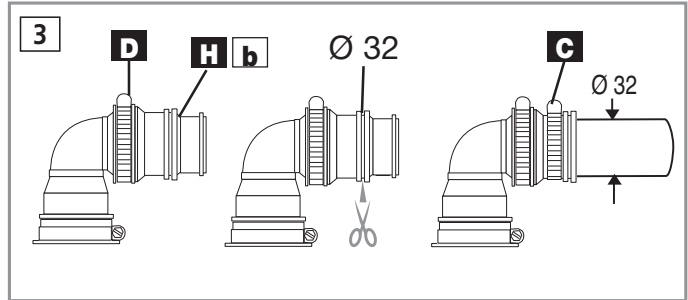
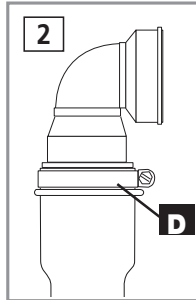
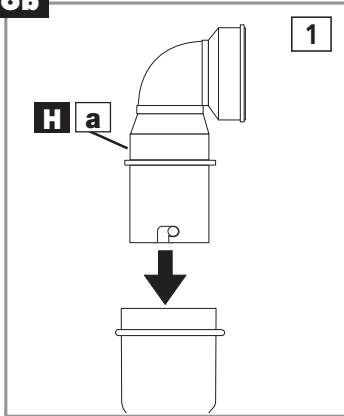
**SANICOMPACT® LV Eco / SANICERAMIC® LV Eco**



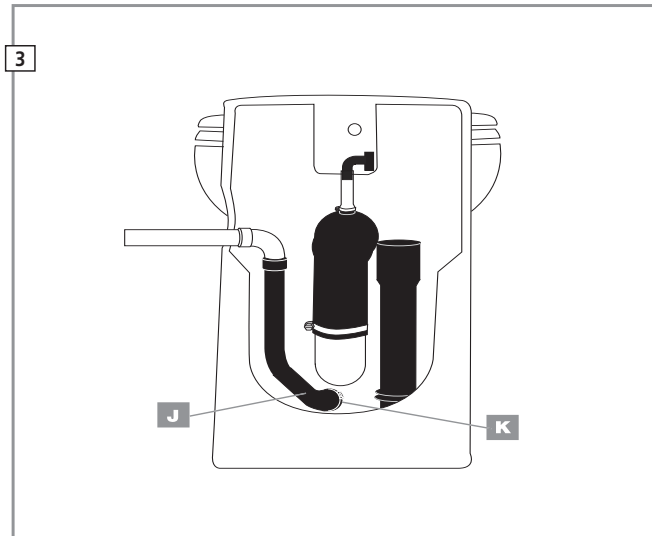
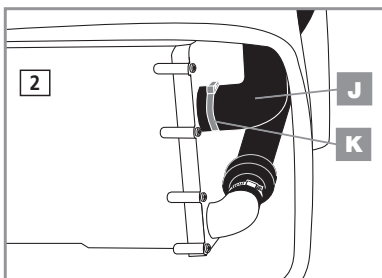
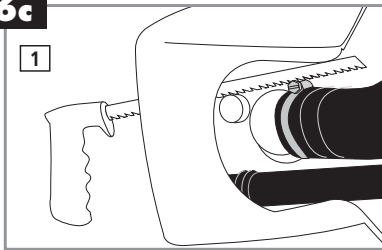
\* included for the UK

**6 SUITE**

**6b**



**6c**



**7**

**SANICOMPACT® LV/SANICERAMIC® LV**

**CLV50 220-240 V - 50 Hz - 800 W - IP44**



Fully illustrated step by step instructions are downloadable on [www.saniflo.co.uk](http://www.saniflo.co.uk)

## 1 DESCRIPTION

**SANICOMPACT®/SANICERAMIC®** is a WC specially designed with an integral pump/macerator. **SANICOMPACT®/SANICERAMIC®** is for domestic use.

Installed and used correctly, **SANICOMPACT®/SANICERAMIC®** will give consistent and reliable service.

Please note the following warning signs:

«  » Possible danger to personnel,

«  » Warning of possible electrical hazard.

«**WARNING**» This is a general warning that failure to follow instructions could result in poor functioning of the unit.

## OPERATION

**SANICOMPACT®/SANICERAMIC®** is operated by an electronic program. It has 2 functions:

- It has a macerating and pumping function. To start, press one of the two grey sections (light grey: short flush, dark grey: long flush) of the flush button integrated to the bowl.
- It will pump away the waste water from a washbasin. In this case, the motor will activate automatically when the water enters.

## 2 LIST OF ACCESSORIES INCLUDED

## 3 DIMENSIONS

## 4 TECHNICAL DATA

Applications	discharge of a WC discharge of a washbasin (option)
Type	CLV50
Maximum Vertical Pumping	3 m
Voltage	220-240 V
Frequency	50 Hz
Normal Power Rating	800 W
Maximum current consumption	4 A
Electric Class	I
Degree of protection	IP44
Maximum water temperature	35°C
Net Weight	C3 28,6 Kg
	C5 29,0 Kg
	C6 26,5 Kg
	C43/SANICERAMIC 1 23,2 Kg
	C48 25,4 Kg
	C4 22,0 Kg

**WARNING:** Only installations conforming to the above specifications are acceptable.

## 5 PERFORMANCE CURVE

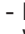
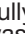
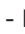


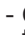



## 6 INSTALLATION

### 6a ATTACHING THE TOILET TO THE FLOOR

Find a suitable location, place the **SANICOMPACT®/SANICERAMIC®** on the floor. Mark the perimeter of the bowl on the floor and mark where the bracket screws will be, (rear screw holes). Remove the bowl. Measure 5/8 inch (15 mm) inwards from the line and mount the L-brackets on the floor.



**Note:** To reduce noise level when the toilet is installed on a hard floor, you may want to insert an insulating material between the floor and the bowl.

### 6b CONNECTION OF THE DISCHARGE

- 1 - Fully insert the elbow   in the end of the rubber waste tube, after turning it to face in the desired direction.
- 2 - Fix the base of the elbow   and tighten it on the rubber waste tube with a clamp .
- 3 - Connect the sleeve   to the end of the elbow with the clamp . Cut off the end of the sleeve to adapt it to the waste pipe. Connect the 32mm wastepipe into the sleeve and secure with jubilee clip .
- 4 - **Warning:** Ensure that you do not twist the discharge pipework inside the unit.
- 5 - **Warning:** Horizontal pipe runs must have a minimum fall of 1:100 (10mm per meter) to the soil stack. If a vertical lift is required, it must be made before the horizontal run at the start of the piperun.
- 6 - **Warning:** Protect pipes against freezing with appropriate insulation. If the toilet is installed in an unheated location during freezing periods protect it as follows:
  - Shut off the water supply,
  - Activate one cycle without water,
  - Pour antifreeze in the bowl (2 litres),
  - Flush the toilet.
- 7 - **Warning:** Any bends in the discharge pipe run should be smooth radius bends. If using plastic pipe two 45 degree offsets can be used to form a smooth bend.
- 8 - **Note:** We would recommend that a drain-off point is installed to allow the discharge pipework to be drained down before any service work.
- 9 - **Note:** To avoid siphoning, install an anti-siphon valve at the high point of the installation.

### 6c CONNECTION OF A WASH BASIN (OPTION)

If your **SANICOMPACT®/SANICERAMIC®** is equipped to receive the waste water from a wash basin (Warning: special order).

Make the connection as shown on fig.  to .

### 6d CONNECTION TO THE WATER SUPPLY

Connect to the water supply with an isolation valve. Also it is very important that you fit a single check valve between the Sanicompact and the water supply. This is a Water Regulations requirement.

**Caution:** The quality of the rinsing of the bowl depends on the water pressure.

**WARNING:** for a correct rinsing, the water pressure should be at least 25 PSI (**1,7 bars**).

**Note:** In an area where water is not pure (dirty, sandy), we advise you to add a filter between the shut off valve and the toilet to prevent clogging of the solenoid valve.

### 6e CONNECTION TO THE ELECTRICAL SUPPLY

 The electrical installation should be carried by a qualified person.

All wiring must conform to BS7671, 1992 requirements for electrical installation. The unit requires a 220/240 V single phase AC 50 Hz supply (UK specification). Do not connect the unit to a conventional plug and socket. The unit should be connected to a fully earthed electrical supply (class 1).

It must be wired into an unswitched fused fixed wiring connector protected by a 5 amp fuse and a residual current detector (30 mA). This connection must be used exclusively for supplying the unit.

The wires in the mains lead are coloured in accordance with the following code:

Brown	–	Live
Blue	–	Neutral
Green/Yellow	–	Earth

**WARNING:** Ensure the electricity is turned OFF at the main switch board before wiring to connector. All work on cable, pressure chamber and motor should only be carried out by a qualified Saniflo servicing agent, as special tools are required.

## 7 START-UP AND PROGRAMMING

### 7a START-UP

**Plug in the power socket. Wait 20 seconds: appliance initializing. Open the water tap to rinse well. Start the normal flush by pressing the dark grey section of the flush button. Put a few sheets of toilet paper down in the bowl and flush again.**

**Wash basin option:** turn on the washbasin tap, and the motor will activate automatically. Check the watertightness of all connections.

**Note:** the basin tap should be watertight. Any dripping will cause the motor to activate in regular short bursts.

### 7b PROGRAMMING

The length of your **SANICOMPACT®/SANICERAMIC®** sflush varies according to which cycle you choose.

**Eco flush (by default, light grey button):**

19 seconds and 3.8L: rinsing of the bowl for 10 seconds, the pump works for 7 seconds (for 7 seconds, the bowl continues to fill), then the bowl fills again for 2 seconds.

You can lengthen the first rinse of the eco flush to 16 seconds if the default flush is not enough.

**Normal flush (dark grey button):**

25 seconds and 5L: The bowl is rinsed for 16 seconds, the pump works for 7 seconds (for 7 seconds, the bowl continues to fill) then the bowl fills again for 2 seconds.

**To re-programme:**

- Hold the ECO button (light grey button) down for 5 seconds.
- The motor works for 2 seconds, this means you have entered programming mode.
- Each time you press the dark grey button you increase the length of the ECO flush by 1 second: each time you press it will be validated by the motor running for a short period.
- Each time you press the grey button you decrease the length of the flush by 1 second: each time you press it will be validated by the motor running for a short period.

**To exit programming mode:**

- Wait for 5 seconds without pressing any buttons.

**The motor runs for 2 seconds, this means that you have left programming mode.**

**Comment 1:** the minimum length of the first rinsing flush for the normal flush is 19 seconds (default programming) and the maximum length is 25 seconds.

**Comment 2:** the normal flush cannot be modified.

## 8 USE

**SANICOMPACT®/SANICERAMIC®** does not require any special maintenance.

**WARNING 1:** The **SANICOMPACT®/SANICERAMIC®** range should only be used for the evacuating of normal human waste, toilet paper and household WC cleaners.

**Damage may occur to the machine if the following are disposed of via the WC; Cotton wool, tampons, sanitary towels, wet wipes, kitchen towels, condoms as well as other fabric or hard objects. Solvents, acids and other chemicals can also cause damage to the unit, and will invalidate the warranty.**

**WARNING 2:** In case of a long electrical shut off (vacation, strike, work being done on the electrical or water supply) close the water supply.

## 9 CLEANING AND REMOVAL OF SCALE

- To clean the bowl and remove scale, use regular bathroom cleaning products.
- To avoid accumulations of scale inside the motor, we advise you to clean it regularly. To do so:
  - Shut off the water supply
  - Flush the toilet
  - Pour one litre of bathroom cleaning product (or vinegar) in the bowl
  - Leave sit for a few hours
  - Open water supply and flush
  - the toilet several times.

The frequency of the cleaning depends on the hardness of the water in your area. We advise you to do it at least once a year.

Do not put any acids, caustic sodas or solvents down **SANICOMPACT®/SANICERAMIC®**.

## 10 REMOVAL



**ALL WORK INVOLVING DISMANTLING OF THE APPLIANCE MUST BE CARRIED OUT BY AN APPROVED REPAIR AGENT**

ANY SERVICE WORK INVOLVING ELECTRICAL COMPONENTS SHOULD ONLY BE CARRIED OUT BY A RECOGNISED SERVICE ENGINEER

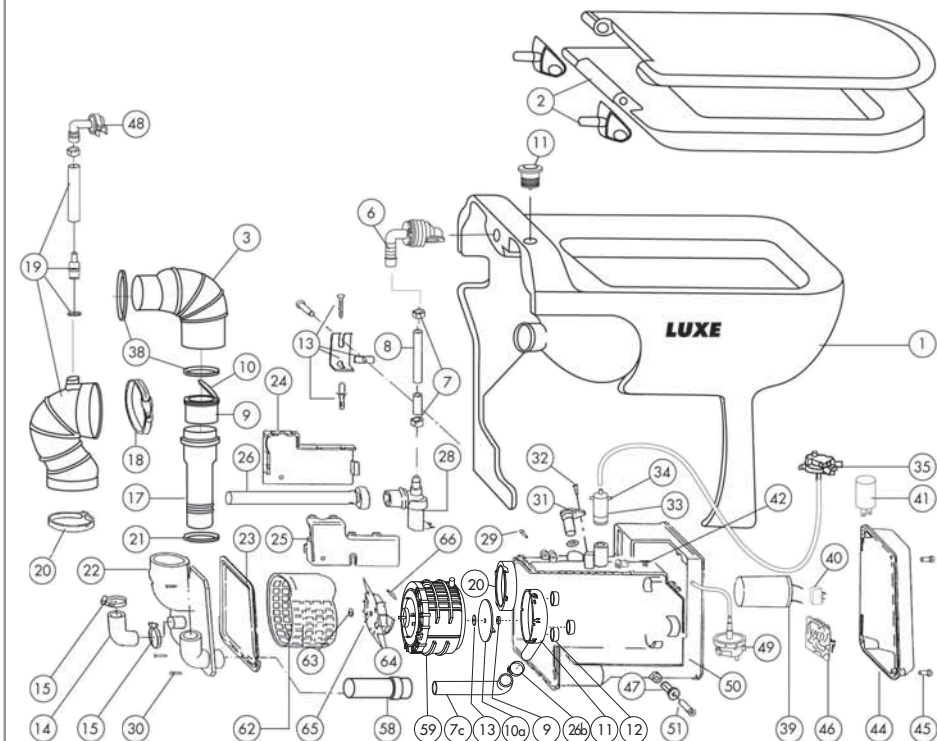
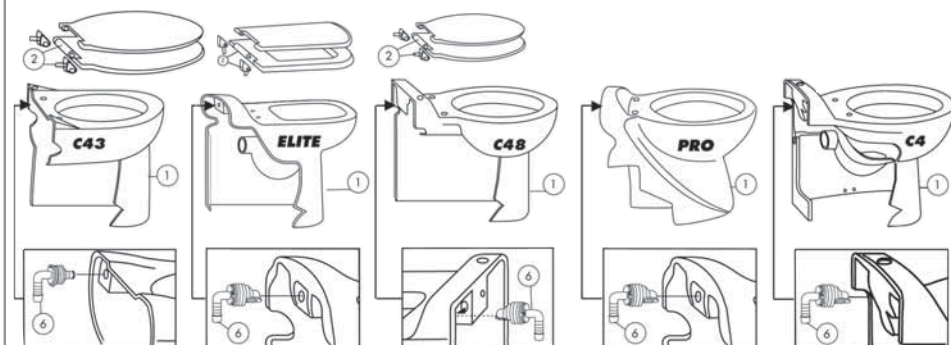
## 11 GUARANTEE

The **SANICOMPACT®/SANICERAMIC®** range is guaranteed for 2 years, subject to correct installation and usage.



**UK** This device is not designed for persons (including children) with limited physical, sensory or mental abilities, or those with minimal experience and knowledge, unless they are monitored and are given the necessary instructions for using the device, with the help of a person responsible for their safety. Monitor children and make sure they do not play with the device.

**SANICOMPACT®/SANICERAMIC®,  
C4, C43/SANICERAMIC 1, C48,  
LUXE/SANICERAMIC 2, PRO, ELITE**



**UNITED KINGDOM**

**SANIFLO Ltd.,**  
Howard House,  
The Runway  
South Ruislip  
Middx.,  
HA4 6 SE  
Tel. 020 8842 0033 / 4040  
Fax 020 8842 1671

**IRELAND**

**SANIRISH Ltd**  
IDA Industrial Estate  
Edenderry  
County Offaly  
Tel. + 353 46 9733 102  
Fax + 353 46 97 33 093

**SERVICE HELPLINES**

	TEL	FAX
United Kingdom	08457 650011 (Call from a land line)	020 8842 1671
Ireland	1850 23 24 25 (LOW CALL)	+ 353 46 97 33 093

## **Check out our full range of macerators**

Saniflo Macerators

Flo-Force Macerators

Stuart Turner Macerators

Grundfos Macerators

## **Don't Forget These Macerator Accessories from Saniflo**

Saniflo Sani Alarm

Saniflo Descaler

**plumbworld**  
**Big brands, small prices.**