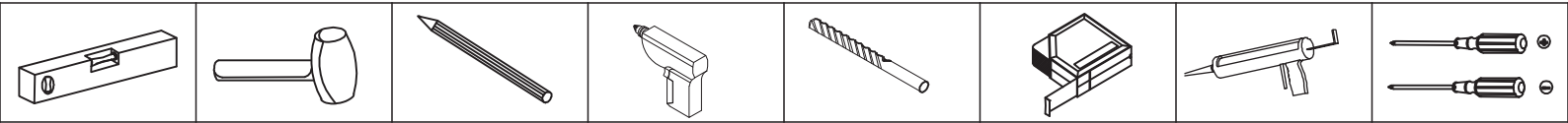


# Wall hung unit installation

## Tools required for installations

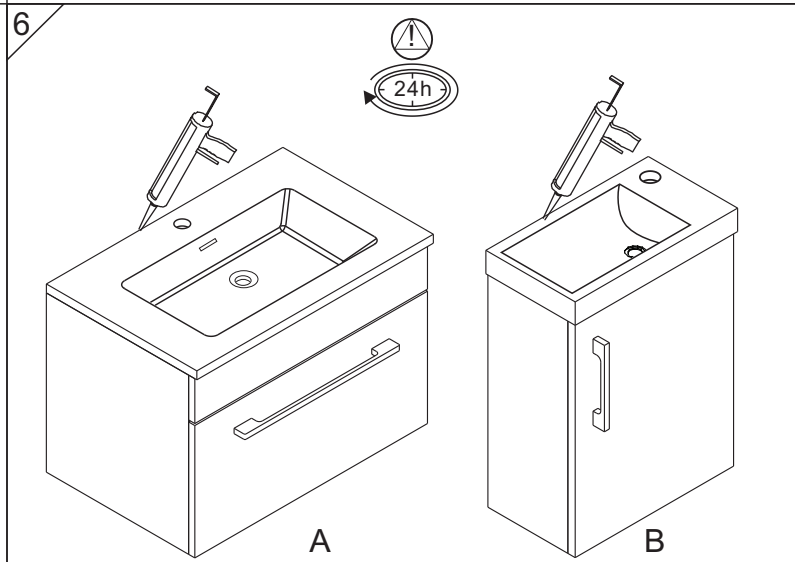
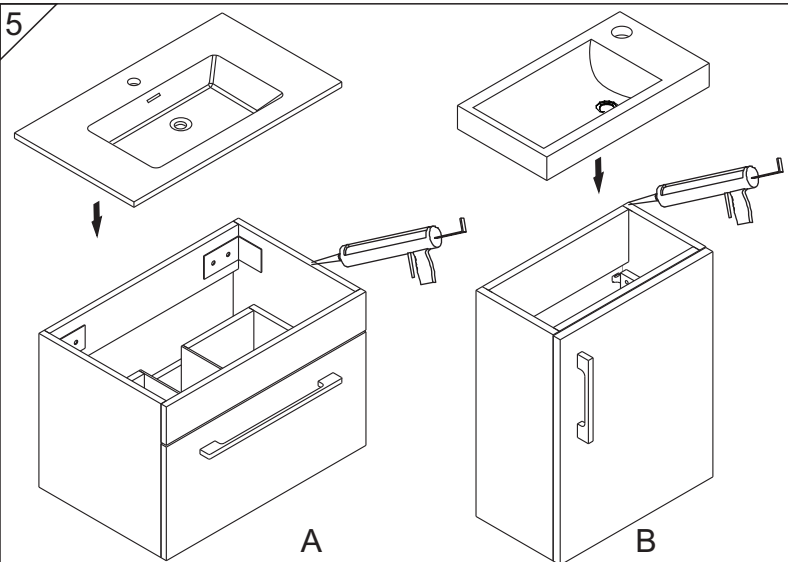
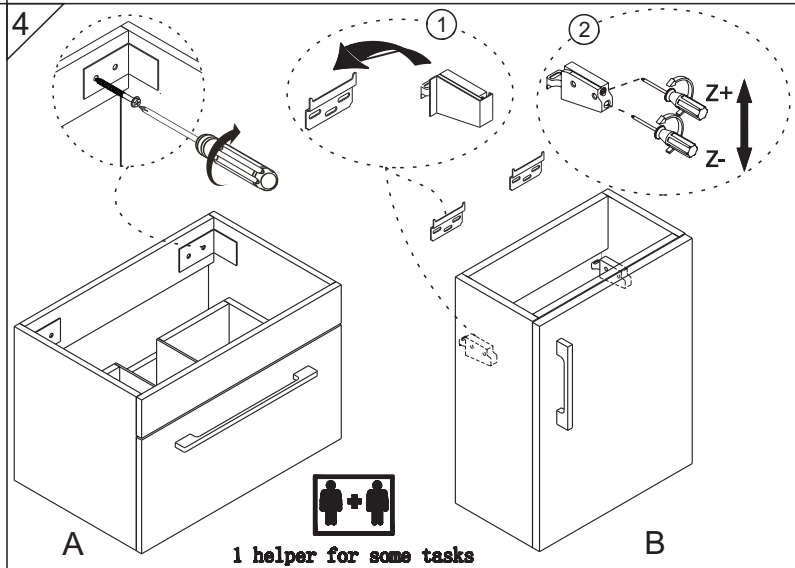
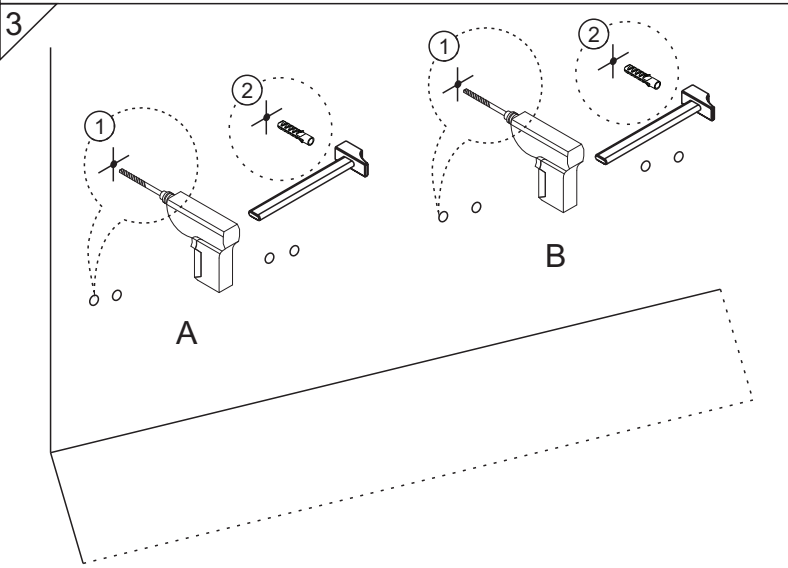
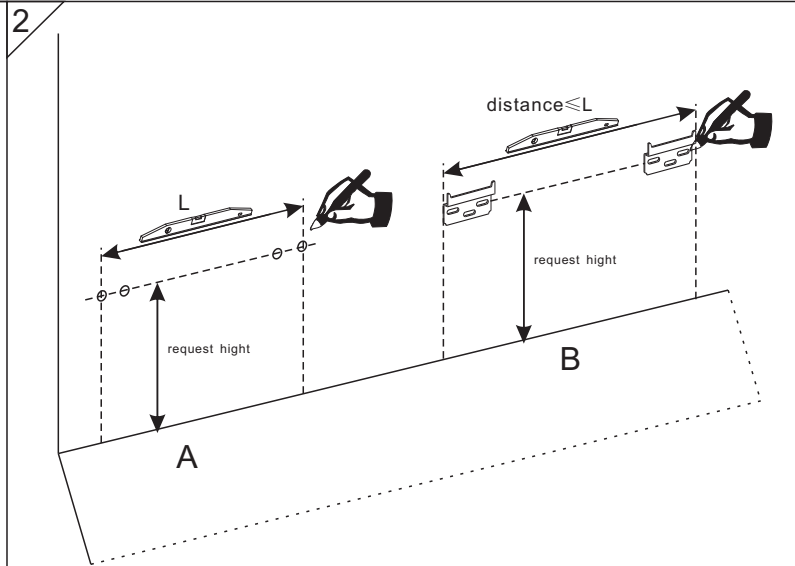
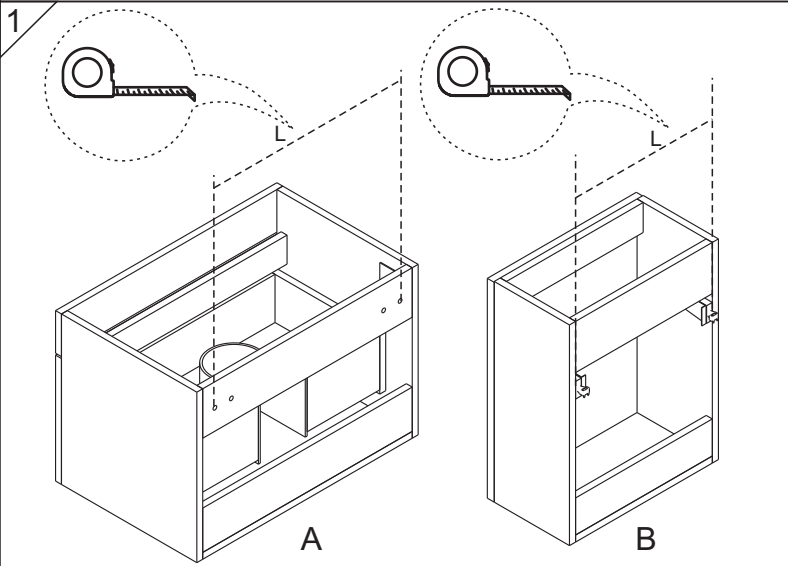


Note: For safety reasons Unit must be secured to the wall using suitable fixings (pre-drilled holes provide in back panel of unit)

When fitting a basin to a unit, a bead of silicone should be applied to the top edge of the basin unit to seal between the basin and unit.

## Wall hung unit installation. ( fixings in box )

Please measure the L distance between each brackets on unit. and H ( height as customers request. The standard height is 850mm (including basin height) from floor to wash basin



Mirror cabinet and Storage unit. ( plug screws with chrome covers in box)

Please measure the L&H distance between each pre-drilled holes on products and fixing them as below steps. the distance will be 300-400 the mirror cabinet to basin as below . the distance from floor to bottom of storage as customer requests.

