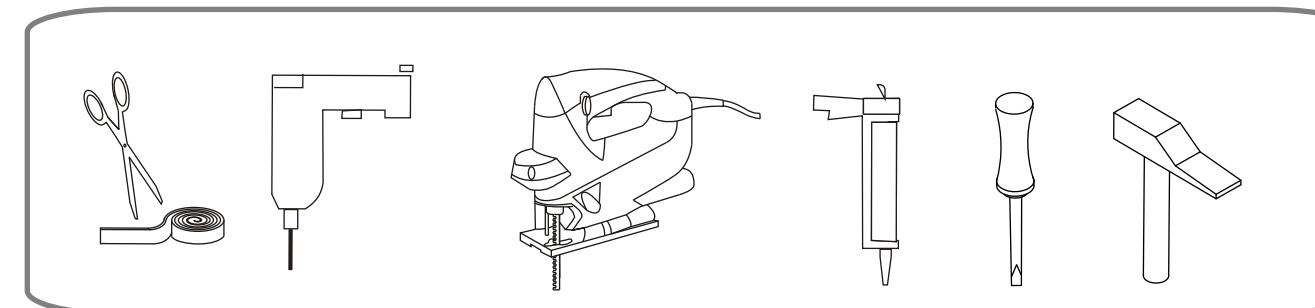


Tap Back

4081

Installation of ceramic sinks



**INSTRUCTIONS FOR KNOCKING THROUGH THE TAP HOLE** GB

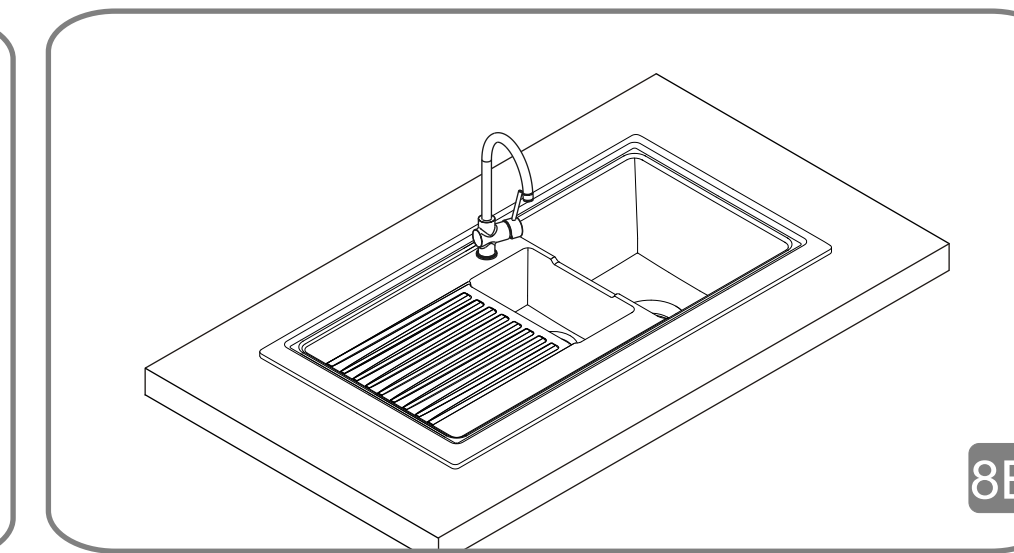
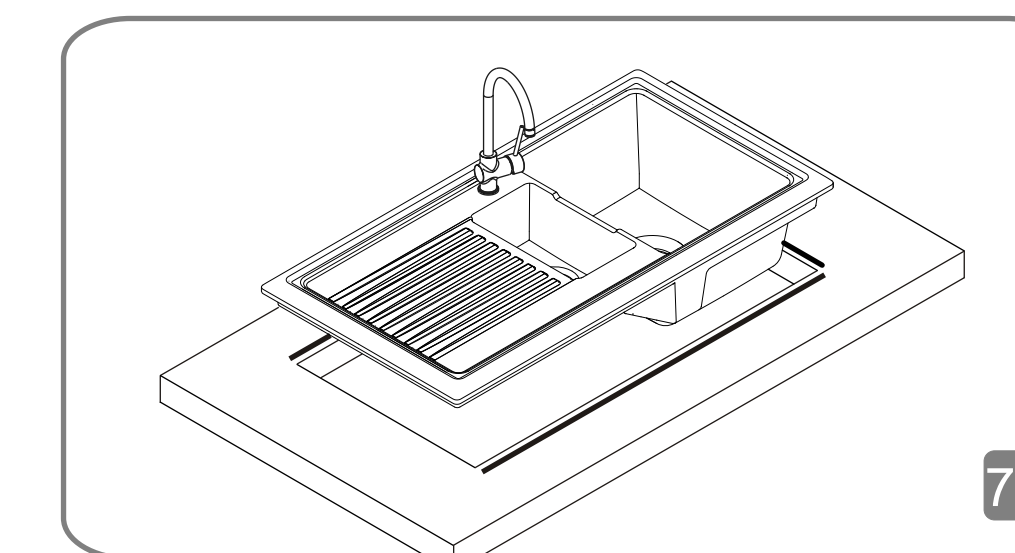
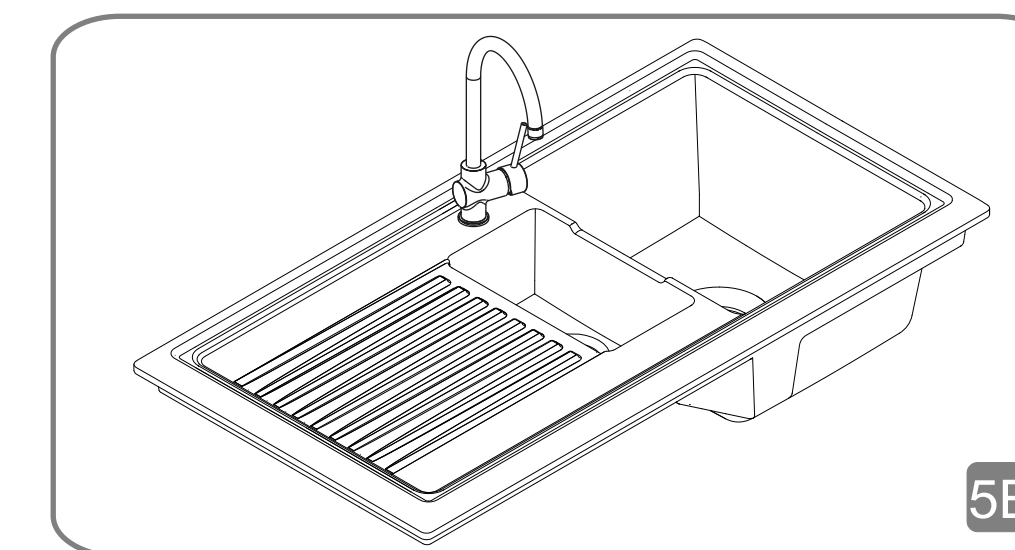
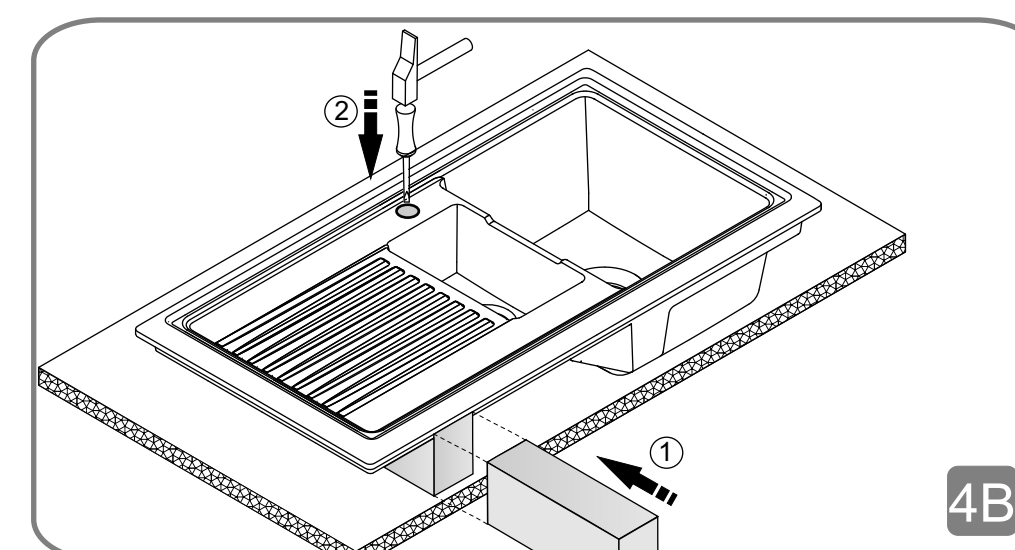
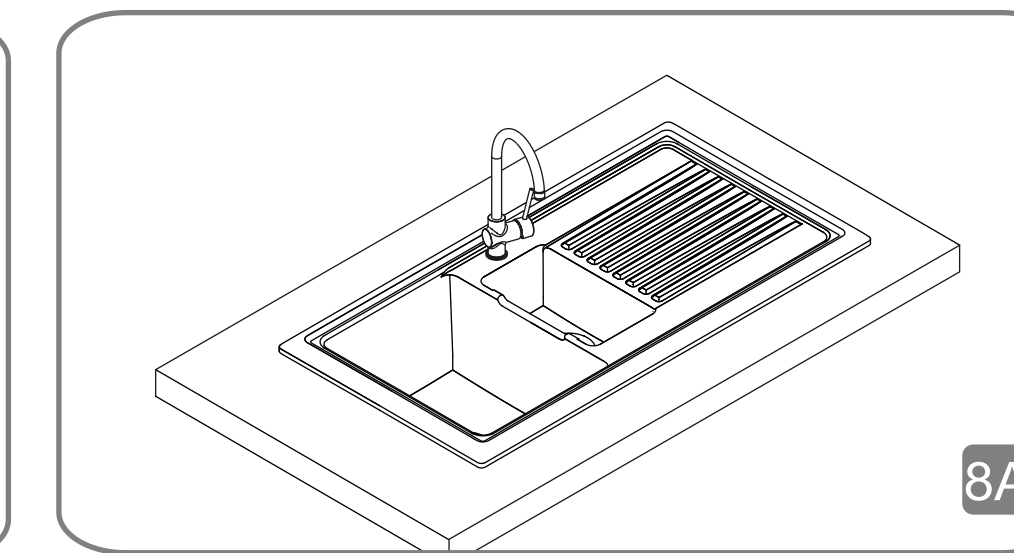
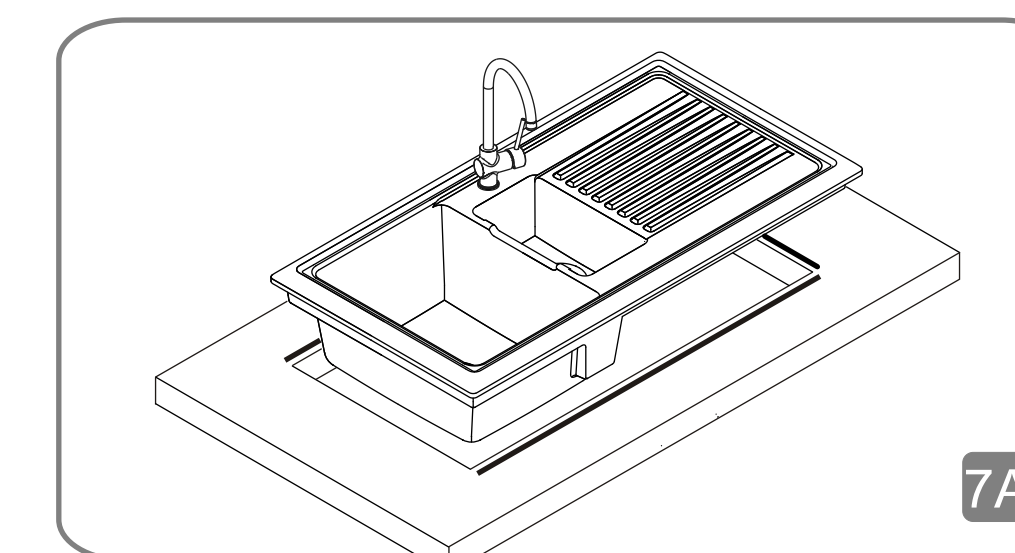
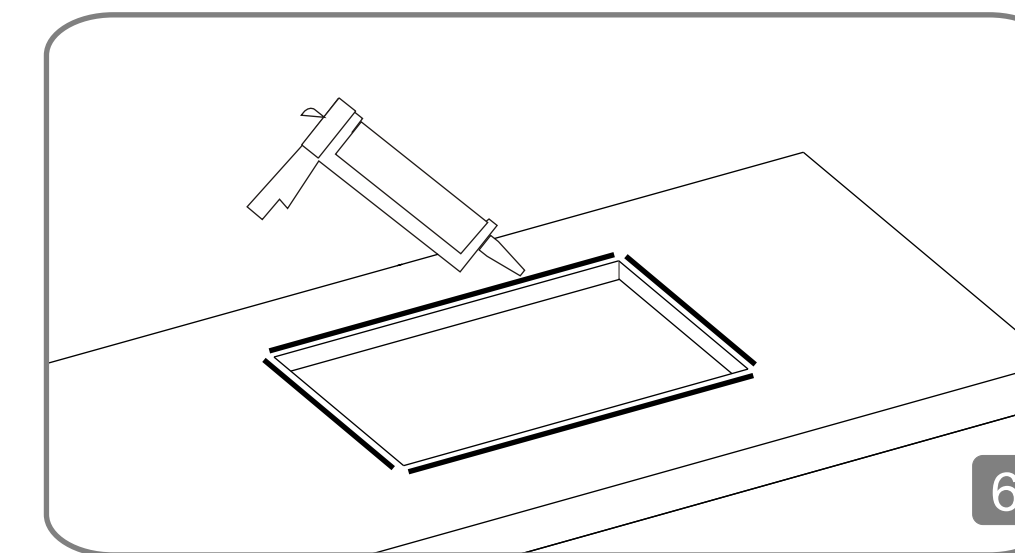
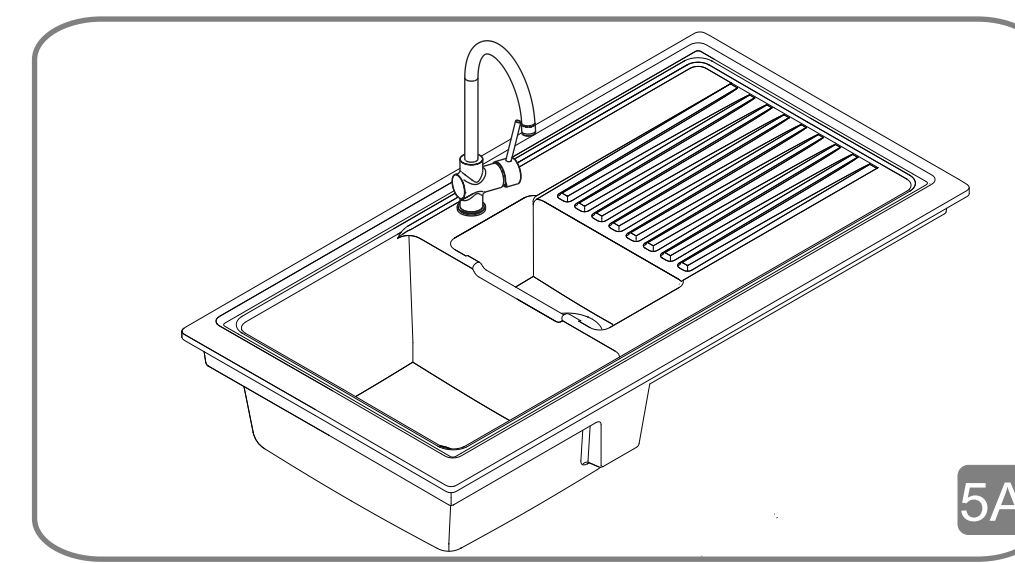
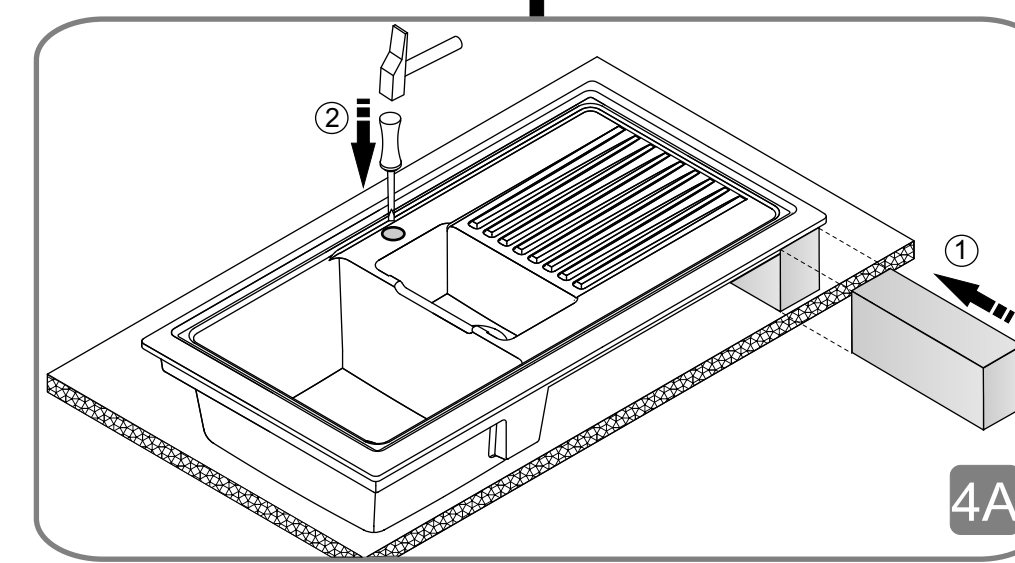
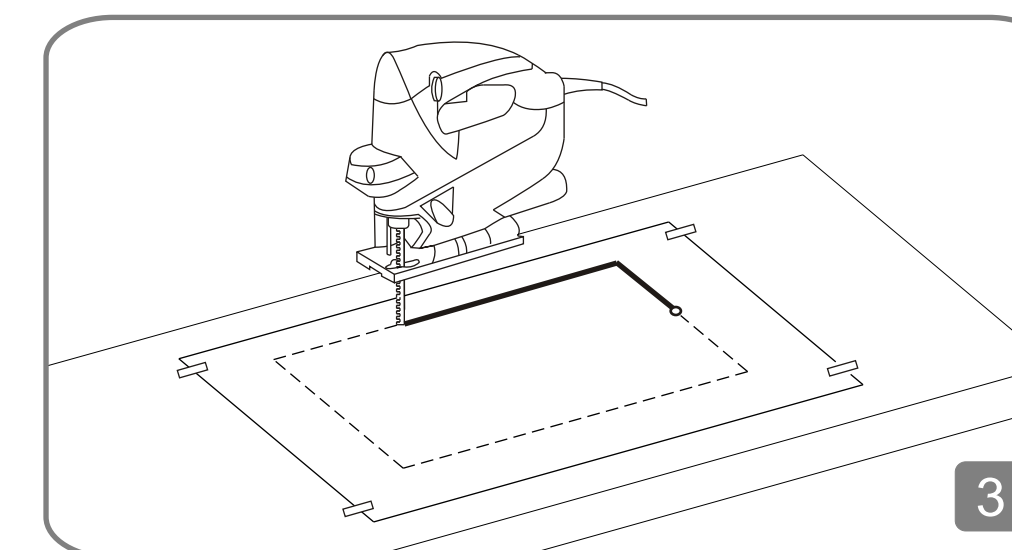
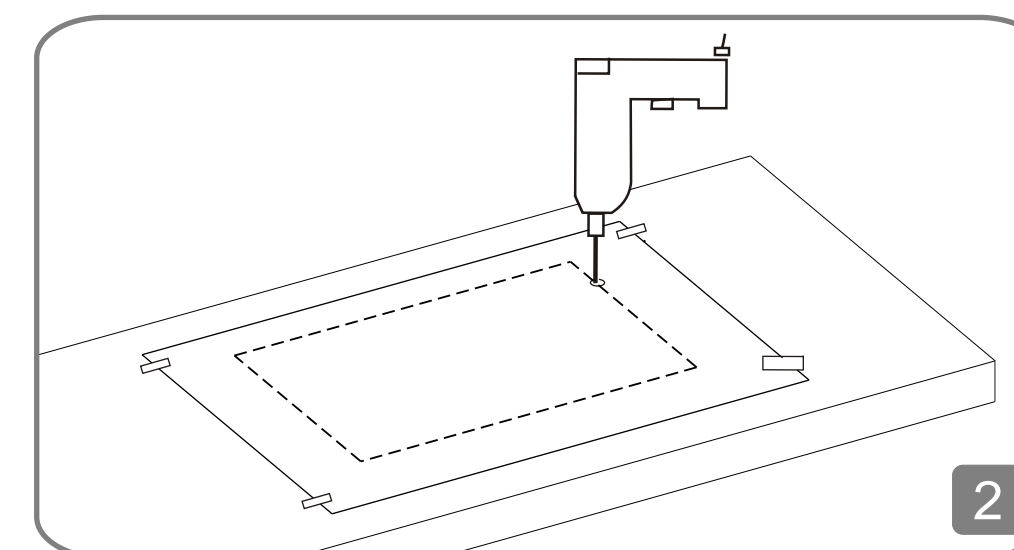
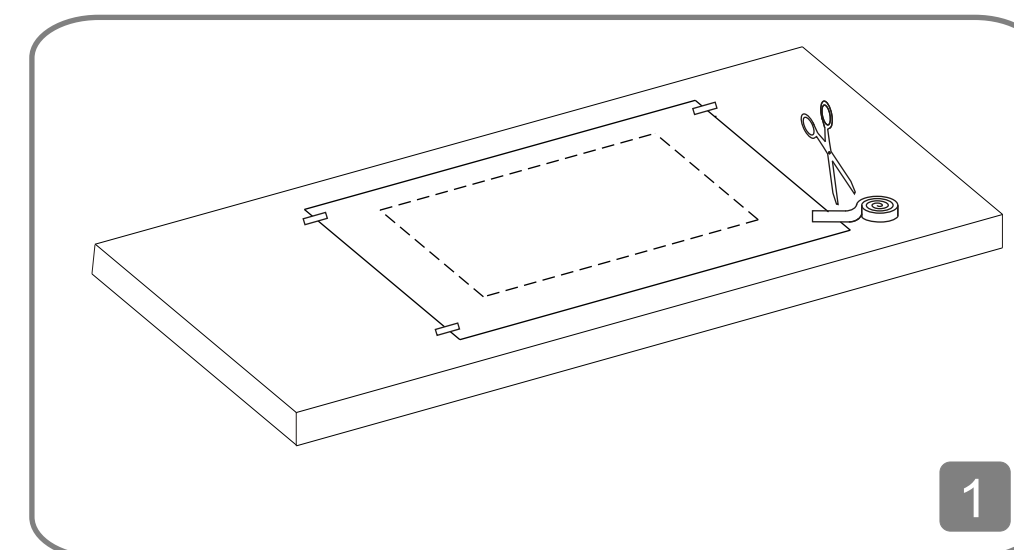
You will need a 10mm Pin or Centre Punch, a Hammer & safety equipment.

It is highly recommended that safety goggles and gloves are worn when knocking through the tap hole.

Position the pin punch on the desired red marker (these are only guidance and do not show exact centre of the top hole). **ONLY PUNCH OUT FROM THE TOP GLAZED SURFACE**

Gently tap the punch with a claw hammer until a hole is punched through, and then continue tapping out the excess from around the hole, ensuring any rough or sharp edges are removed.

Please do not over tighten any fittings as this can cause the surface of your ceramic sink to crack.



Outer Template Line

Front