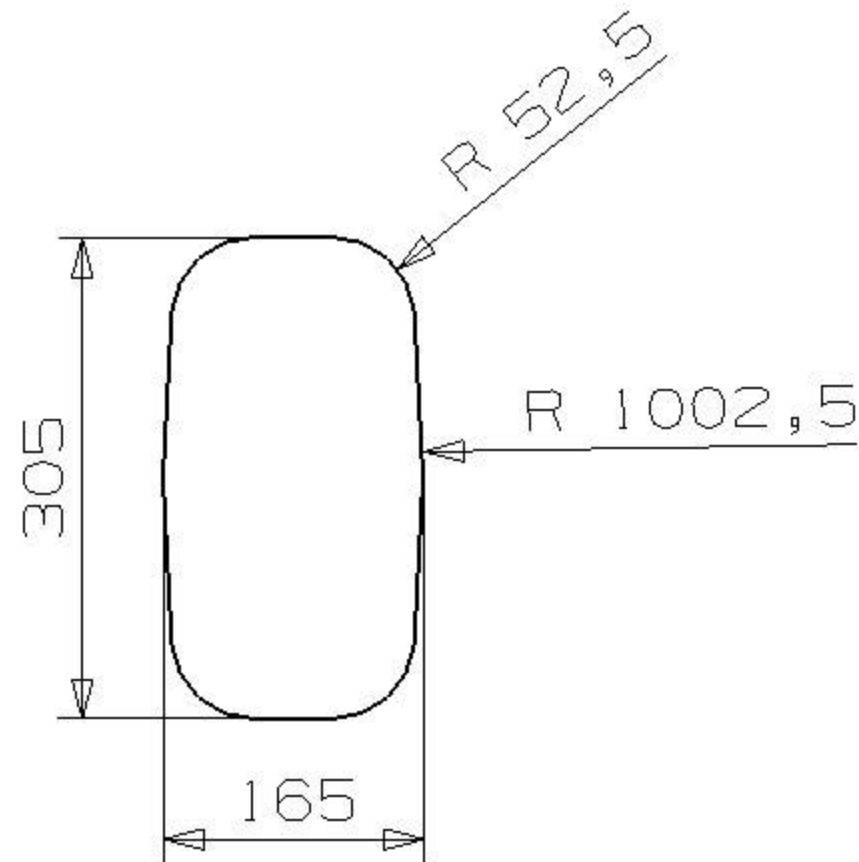


Comfort Inset Cut Out Guide



L18 3016
Uitsparing Blad
Ausparung Platte
Cut out worktop

datum: 07-02-2012

Tolerantie buitenmaat per zijde	±0.5mm
Toleranz Aussenmasse pro Seite	±0.5mm
Per side the outside tolerance measure	±0.5mm

Check out our full range of Kitchen Products

Kitchen Sinks

Stainless Steel Kitchen Sinks

Granite Composite Kitchen Sinks

Glass Kitchen Sinks

Ceramic Kitchen Sinks

Franke Kitchen Sinks

Kitchen Taps

Contemporary Kitchen Taps

Traditional Kitchen Taps

Franke Kitchen Taps

Pull out Rinser Kitchen Taps

Instant Boiling Water Taps

Insinkerator Waste Disposal Units

plumbworld
Big brands, small prices.