

Instant Hand Wash

AV3S – 3kW Autosensor Hand Wash



3 kW

Hands free



Simple and economical



Easy installation



Vortex technology



Key Features:

- Connects to mains cold water and electric supply
- Heats cold water instantly on demand
- Touch-free sensor for hygienic operation
- Anti-vandal, non-scaling, maintenance-free spray head
- Unique Vortex spray head increases spray coverage
- Compact size for easy wall mounting
- 200mm swivel arm, for basin, sink or drainer coverage
- Front mounted "in-use" neon indicator light
- Powerful 3kW element for rapid heating
- Temperature stabilised with overheat cut-out
- ErP Energy Rating Class 'A'
- Economical; only heats the water used for washing
- Operating pressure 0.7 – 7 Bar (10 – 100 PSI)
- Water connections: 15mm pipework
- BEAB Approved and IPX4 rated
- 12-Month guarantee



Hands free



Autosensor
Technology

Hygienic Operation

The Redring Autosensor hand wash has Infra-red, touch-free operation. It's ideal for environments where cross contamination must be avoided, such as hospitals, food preparation areas, or where hygiene is of concern. After sensor activation, water runs for 20 seconds for economical hand washing.



VORTEX

Improves Flow
Reduces Limescale

High Performance Vortex

The anti-vandal spray head produces a unique Vortex pattern. The diffused water has a powerful and wider flow pattern for better hand coverage, this ensures fast and effective hand-washing. What's more the Vortex pattern eliminates scale build-up so there's no need for costly maintenance in hard water areas.

Instant Hand Wash

AV3S – 3kW Autosensor Hand Wash



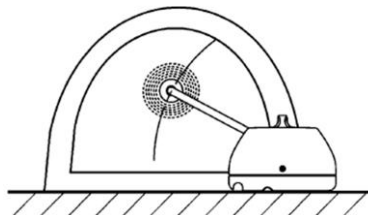
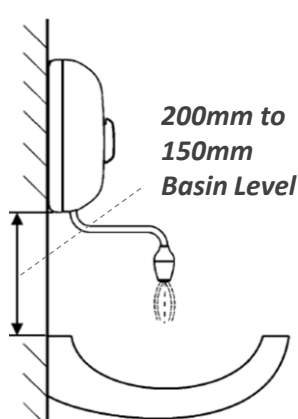
Product Specification

AV3S

MPN / Product Code	43679901
EAN13 Barcode	5017084679911
Operating Pressure	0.7 – 7 Bar (10 – 100 PSI)
kW Loading @ 230-240V	2.7kW - 3kW
Cable Type	3-Core Double Insulated
Cable Size Guide	1.5mm ²
Cable Entry Points	Top, Bottom, Rear
Splash Rating	IPX4
Thermal Cut-out Protection	✓
ErP Energy Classification	A
Efficiency (%)	37.59
kWh/Year (Q elec)	167
Noise (dB)	15
BEAB and CE Approved	✓
UK Guarantee	12 Months

Note:

The water output flow will vary depending on the temperature of the incoming water, for example a higher flow is achieved in summer compared to winter when the incoming water is colder.



Unit can be wall mounted on the left or right above a sink, basin or drainer. The swivel arm can easily be adjusted to suit.



-----DIMENSIONS-----



A simple to fit, compact unit. It's also an easy replacement for all Redring I3V manual control versions of the hand wash unit.

-----INSTALLATION-----

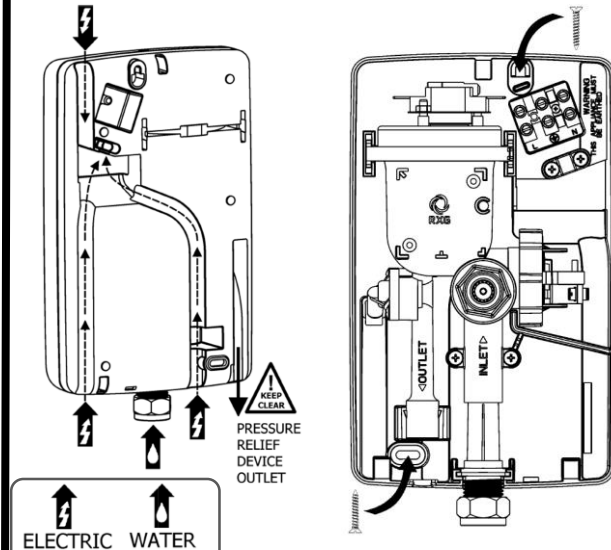
ELECTRIC:

- Requires a single phase AC electrical supply
- Use 3-Core 1.5mm² double insulated cable
- Cable can be surface clipped, hidden or via conduit

WATER:

- Connection to a mains cold water supply required
- Operating pressure 0.7 – 7 Bar (10 – 100 PSI)
- 15mm Straight shank inlet and outlet connections

-----WIRING-----



-----BOX CONTENTS-----

- Handwash unit, Vortex sprayhead, 200mm stainless steel swivel arm and instruction manual

Redring, Newcombe House, Newcombe Way, Peterborough, PE2 6SE.

Tel. 01733 456789

A Glen Dimplex Group company

Check out our full range of Heating Products

Central Heating Controls

Honeywell Heating Controls

Danfoss Heating Controls

Radiator Valves

Fernox

Sentinel

Magnaclean

Warmup underfloor heating

Water Heaters

Hand Dryers

plumbworld
Big brands, small prices.