

ORIDIAN UNDERMOUNT IGNEOUS GRANITE SINK

ORIUN540AW/



Size: 540 x 440 mm

Create a modern finished look with the addition of an Oridian granite bowl.

The Oridian collection features large bowls offering ample space to wash large pots and pans, available in separate inset and undermount collections.

- Igneous granite material, 80% quartz & 20% acrylic
- Large bowls
- Separate inset and undermount collections
- Waste kit included

RANGEMASTER

SINKS & TAPS

Material	Igneous Granite
Material Gauge	-
Material Finish Bowl	-
Material Finish Drainer	-
Drainer Position	
Overall Length (mm)	540
Overall Width (mm)	440
Main Bowl Length (mm)	500
Main Bowl Width (mm)	400
Main Bowl Depth (mm)	200
Second Bowl Length (mm)	-
Second Bowl Width (mm)	-
Second Bowl Depth (mm)	-
Tap hole Size (mm)	1 x 35
Waste Size (mm)	1 x 90
Waste Kit	Included with sink (2 x 89mm BSW & overflow kit)
Min. Base Unit (mm)	
Cutout Size Length (mm)	500
Cutout Size Width (mm)	400
Warranty Sinks (years)	20
Product Code	ORIUN540AW/
Barcode	5015834056814

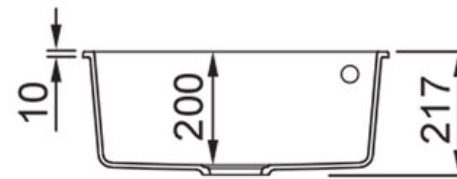
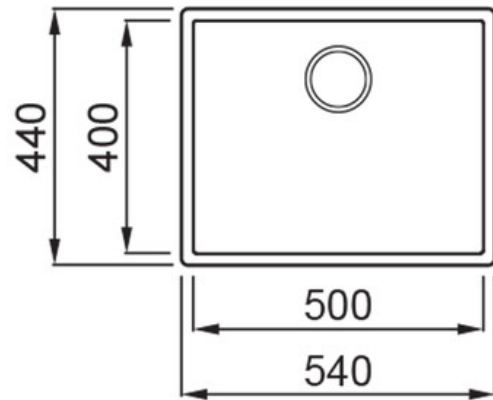
Date of download: October 23, 2024

AGA Rangemaster continuously seeks improvements in specification, design and production of products and thus, alterations take place periodically. Whilst every effort is made to produce up-to date resources, the information included here is intended as a guide. Always refer to the product's installation instructions when fitting, installation work should be completed a professional tradesman.

ORIDIAN UNDERMOUNT IGNEOUS GRANITE SINK

ORIUN540AW/

Technical Drawing



Date of download: October 23, 2024

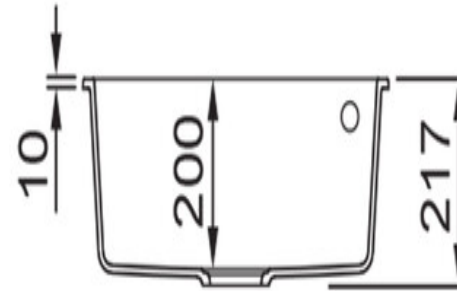
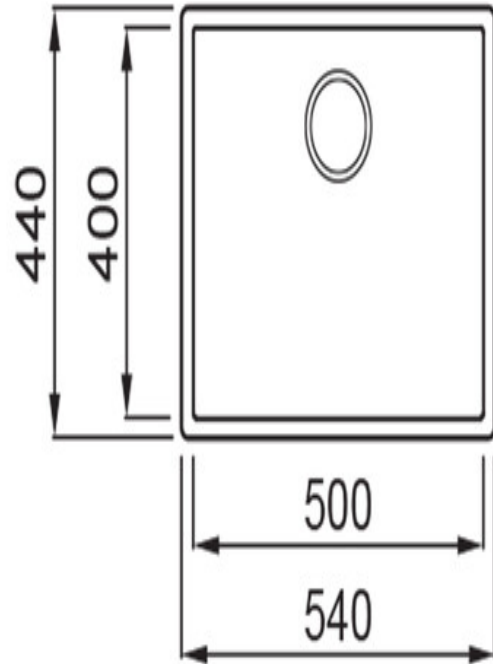
AGA Rangemaster continuously seeks improvements in specification, design and production of products and thus, alterations take place periodically. Whilst every effort is made to produce up-to date resources, the information included here is intended as a guide. Always refer to the product's installation instructions when fitting, installation work should be completed a professional tradesman.

ORIDIAN UNDERMOUNT IGNEOUS GRANITE SINK

ORIUN540AW/

Cut Out Template

Dimensions in mm. Not to scale.



Date of download: October 23, 2024

AGA Rangemaster continuously seeks improvements in specification, design and production of products and thus, alterations take place periodically. Whilst every effort is made to produce up-to date resources, the information included here is intended as a guide. Always refer to the product's installation instructions when fitting, installation work should be completed a professional tradesman.