

## ELEMENTS IGNEOUS GRANITE INSET SINK

ELE1051DG/



**Size: 1000 x 500 mm**

Elements combines style with functionality; its recessed drainer ensures water spillage is kept to a minimum, while its large square look bowls add contemporary design to your kitchen style.

- Igneous granite
- Reversible drainer
- Waste kit included
- 25 year warranty

# RANGEMASTER

## SINKS & TAPS

Material	Igneous Granite
Material Gauge	-
Material Finish Bowl	-
Material Finish Drainer	-
Drainer Position	Reversible
Overall Length (mm)	1000
Overall Width (mm)	500
Main Bowl Length (mm)	480
Main Bowl Width (mm)	420
Main Bowl Depth (mm)	180
Second Bowl Length (mm)	-
Second Bowl Width (mm)	-
Second Bowl Depth (mm)	-
Tap hole Size (mm)	-
Waste Size (mm)	1 x 89
Waste Kit	Included with sink (1 x 89mm BSW & overflow kit)
Min. Base Unit (mm)	600
Cutout Size Length (mm)	980
Cutout Size Width (mm)	480
Warranty Sinks (years)	25
Product Code	ELE1051DG/
Barcode	5015834051185

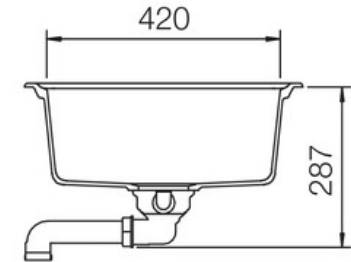
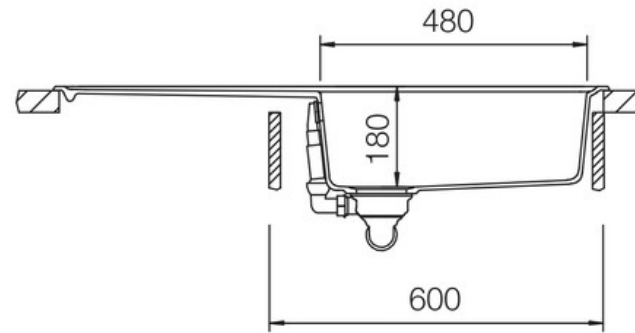
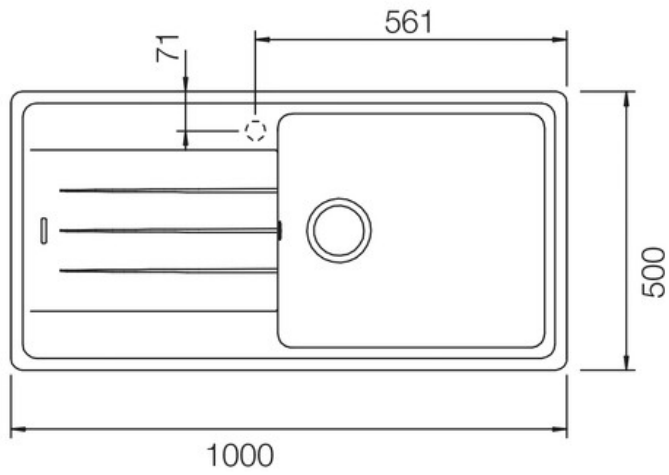
Date of download: October 23, 2024

AGA Rangemaster continuously seeks improvements in specification, design and production of products and thus, alterations take place periodically. Whilst every effort is made to produce up-to date resources, the information included here is intended as a guide. Always refer to the product's installation instructions when fitting, installation work should be completed a professional tradesman.

# ELEMENTS IGNEOUS GRANITE INSET SINK

ELE1051DG/

## Technical Drawing



Date of download: October 23, 2024

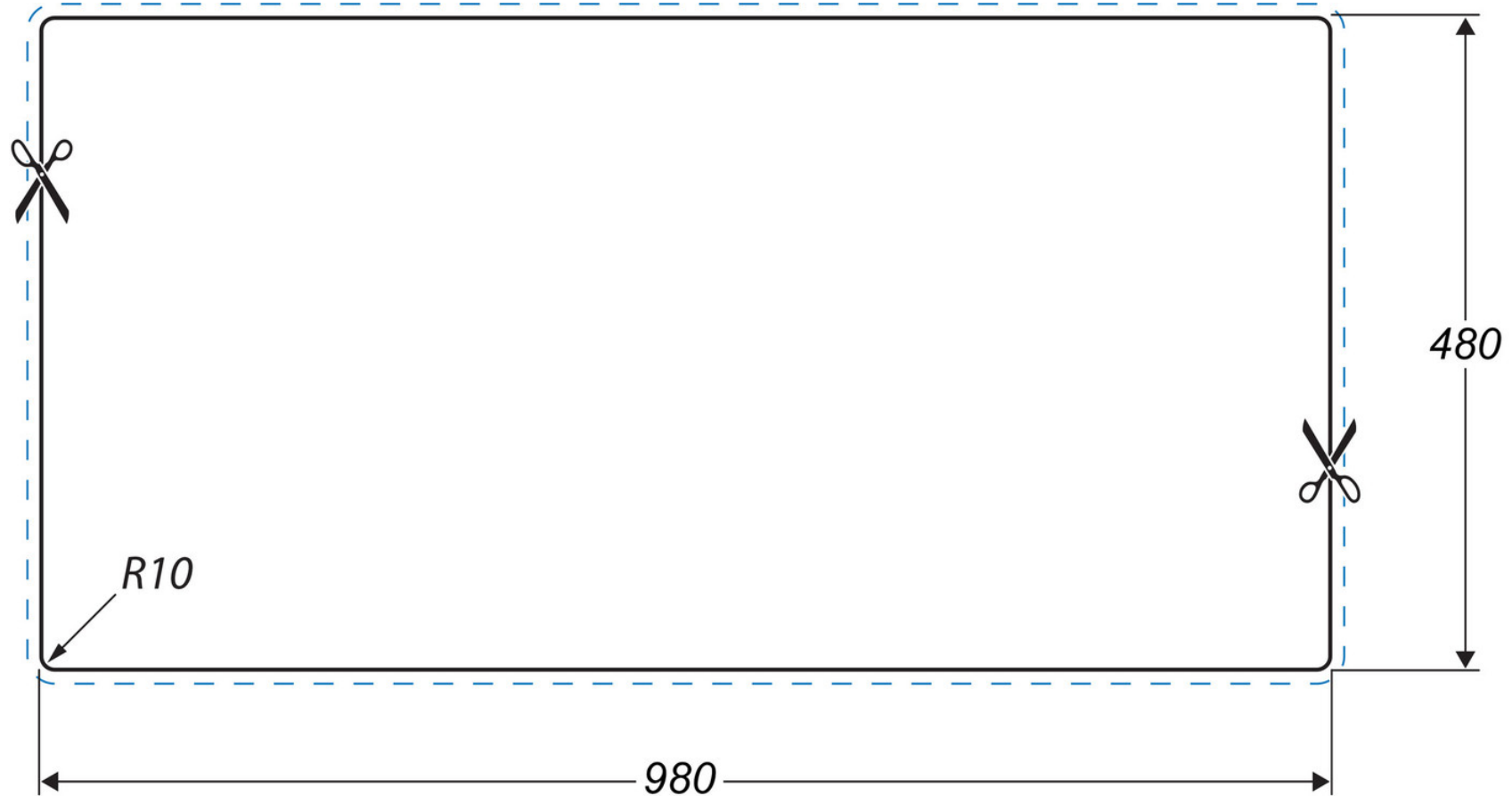
AGA Rangemaster continuously seeks improvements in specification, design and production of products and thus, alterations take place periodically. Whilst every effort is made to produce up-to date resources, the information included here is intended as a guide. Always refer to the product's installation instructions when fitting, installation work should be completed a professional tradesman.

# ELEMENTS IGNEOUS GRANITE INSET SINK

ELE1051DG/

## Cut Out Template

Dimensions in mm. Not to scale.



Date of download: October 23, 2024

AGA Rangemaster continuously seeks improvements in specification, design and production of products and thus, alterations take place periodically. Whilst every effort is made to produce up-to date resources, the information included here is intended as a guide. Always refer to the product's installation instructions when fitting, installation work should be completed a professional tradesman.