

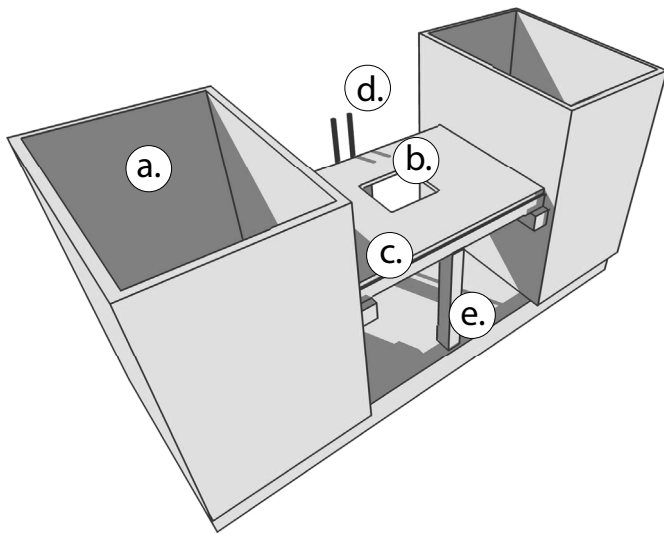
# BELFAST

**RANGEmaster**  
Sinks & Taps



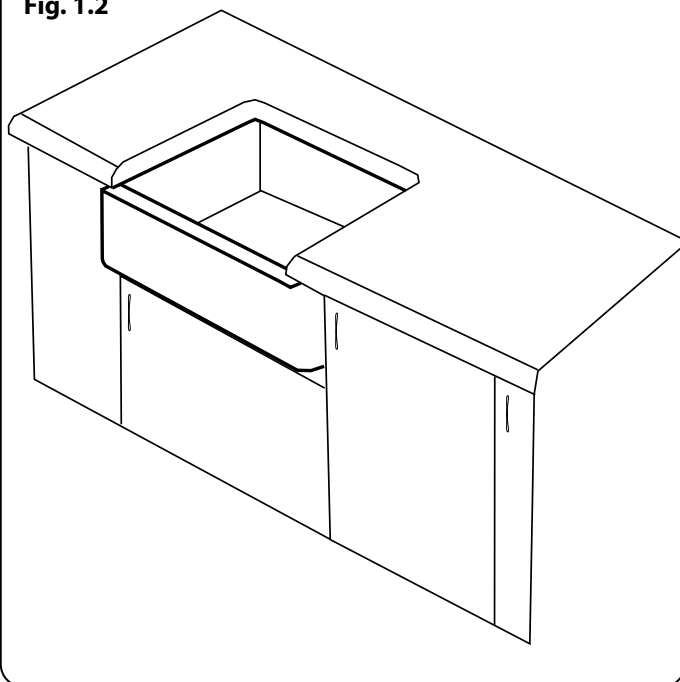
# INSTRUCTIONS

Fig. 1.1



| Key | Description   |
|-----|---|
| a.  | Surrounding cupboards or end panels   |
| b.  | Hole for waste connections (min recommended dia. 150mm for each waste, centred to waste)                  |
| c.  | Supporting shelf (moisture resistant timber or similar, ensure framework sits directly under the product) |
| d.  | Incoming hot and cold supply pipes  |
| e.  | Supporting uprights (front & back)  |

Fig. 1.2



## You will need:

|  |
|--|
| Electric saw with jigsaw fitment or a router |
| Translucent silicone sealant                 |

## Notes prior to installation:

- If you are mounting your Belfast into a granite, marble, wood or solid surface worktop you must have a fabricator cut the hole for you.
- Due to dimensional tolerances within all ceramic sinks these instructions should be used as guidelines only.
- The position of your sink will be determined by the relationship of the sink edges to cabinet gables, supports and tap location.
- Ensure current plumbing fixtures are long enough to reach the new sink and it's location.
- If unsure of fitting your sink we recommend seeking the advice of a professional fitter.
- All ceramic products should be supported under the reverse face with a substantial braced shelf similar (Fig. 1.1). The shelf should be designed to allow for small adjustments in height at each corner and so that it could be disassembled from the underside in the event that the sink is accidentally damaged.

Belfast sinks should be fitted with a worktop overhang of approximately 10 mm on the back and sides of the bowl and the depth of the cut out should allow the front wall of the sink to project out by half the depth of the sink wall thickness. see image (Fig. 1.2)

## Procedure

1. Using the internal measurements of the sink as a base, measure in 10mm from this and mark on your worktop.
2. Cut out the hole using a jigsaw or router. At this stage it is advisable to piece all parts of the sink and waste together to ensure their fit within the worktop. You should try to leave 5mm clearance around the sink to allow for expansion.
3. Fit any rails and worktop supports when satisfied with the position of the sink and waste kit.
4. Remove the sink temporarily to apply a bead of silicone to the base unit and to the underside of the worktop overhang, this is designed to offer additional support between the top rim of the sink and the underside of the worktop. Replace the sink in desired position and leave to set to the base unit.

## Care and Cleaning

Never use any form of abrasive cleaner or applicator. Such cleaners contain sand or silica and will eventually scratch the surface. The best way in our experience to keep your sparkling enamel surface is to apply a dilute solution of bleach every 2 or 3 days. Apply with a sponge or soft kitchen cloth and rinse the sink surface thoroughly with plenty of water. Not only will it make the surface shine but will also keep the sink hygienic.

**Note:** Bleach can be harmful both orally and on your clothes and skin so always wear rubber gloves and ensure you rinse. Ensure proper ventilation as bleach gives off strong fumes.

**Care:** The Gloss surface of the sink is susceptible to damage from sharp and metallic objects. The worst offender is metal cutlery. Try to avoid metal objects coming in contact with the surface by using protective plastic bowls, cutlery holders and drainers with non-abrasive bases.

Please **DO NOT** over tighten any fittings as this may cause the surface of your ceramic sink to crack.



# RANGEmaster

Meadow Lane, Long Eaton,  
Nottingham, NG10 2GD, England  
Trade Enquiries: +44 (0)115 946 4000  
Consumer Enquiries: +44 (0)1926 457628  
E-mail: consumers@agarangemaster.co.uk  
www.rangemaster.co.uk

22

Kitchen sink made of: Ceramic fireclay  
Preparation of food, washing of dishes and  
discharge of domestic waste water  
EN 13310 : 2015  
CA - DA