

AQUACLASSIC 2 DUAL LEVER TAP CHROME

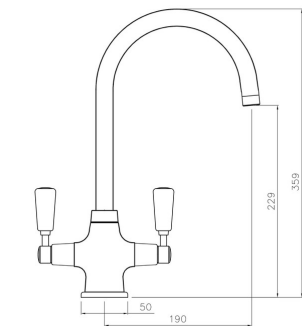
RANGEmaster
sinks & taps



Featuring a classic design with a tall sweeping neck spout, Aquaclassic 2 is available in a choice of several different coloured handle options.

The Aquaclassic 2 kitchen tap sits perfectly within a traditionally styled kitchen, the ideal accompaniment with a ceramic kitchen sink.

- This tap model features a chrome finish with white handles
- Suitable for all pressure water systems
- Featuring an anti-splash spout with honeycomb aerator design which mixes air with water to emit a water flow with no splash



Overall Height (mm)	359
Spout Reach (mm)	190
Spout Height (mm)	229
Spout Rotation Range	360°
Handle Type	Dual Lever
Colour	Chrome
Bar Pressure Suitability	All Pressure
Min. Bar Pressure	0.30
Max. Bar Pressure	5.50
Mixed Flow Rate at 3 Bar Pressure (l/min)	18.13
Flow Type	Dual Flow
Recommended Hot Water Temperature	46°C
Maximum Hot Water Temperature	70°C
Handle Control	Quarter Turn
Centre Distance (mm)	-
Cartridge Type	Ceramic Disc Cartridge
Aerator Type	Honeycomb Aerator
Inlet Pipes	Copper Rigid Tubes
Anti-Splash Spout	1
Pull Out Spray	
WRAS Approved	1
Product Code	TAC2CM/WH
Barcode	

Date of download: January 05, 2021

AGA Rangemaster continuously seeks improvements in specification, design and production of products and thus, alterations take place periodically. Whilst every effort is made to produce up-to date resources, the information included here is intended as a guide. Always refer to the product's installation instructions when fitting, installation work should be completed a professional tradesman.

Check out our full range of Kitchen Products

Kitchen Sinks

Stainless Steel Kitchen Sinks

Granite Composite Kitchen Sinks

Glass Kitchen Sinks

Ceramic Kitchen Sinks

Franke Kitchen Sinks

Kitchen Taps

Contemporary Kitchen Taps

Traditional Kitchen Taps

Franke Kitchen Taps

Pull out Rinser Kitchen Taps

Instant Boiling Water Taps

Insinkerator Waste Disposal Units

plumbworld
Big brands, small prices.