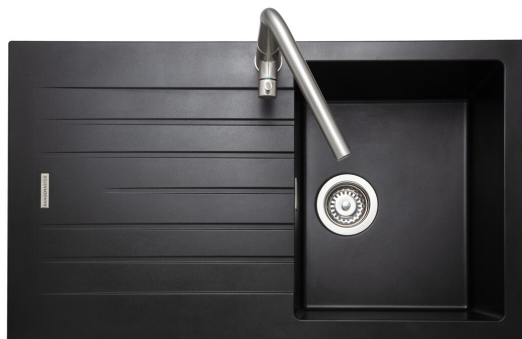


ANDESITE IGNEOUS GRANITE INSET SINK

AND860AS/



Size: 860 x 500 mm

Encompassing a simple yet sleek drainer pattern design and featuring large geometric bowls with low radius corners, the Andesite kitchen sink offers a stunning design for a trend conscious home.

- Igneous granite
- Compact option
- Reversible drainer
- Waste kit included
- 25 year warranty

RANGEMASTER

SINKS & TAPS

Material	Igneous Granite
Material Gauge	-
Material Finish Bowl	-
Material Finish Drainer	-
Drainer Position	Reversible
Overall Length (mm)	860
Overall Width (mm)	500
Main Bowl Length (mm)	347
Main Bowl Width (mm)	430
Main Bowl Depth (mm)	200
Second Bowl Length (mm)	-
Second Bowl Width (mm)	-
Second Bowl Depth (mm)	-
Tap hole Size (mm)	-
Waste Size (mm)	1 x 90
Waste Kit	Included with sink (1 x 90mm BSW & overflow kit)
Min. Base Unit (mm)	450mm
Cutout Size Length (mm)	840
Cutout Size Width (mm)	480
Warranty Sinks (years)	0
Product Code	AND860AS/
Barcode	5015834061498

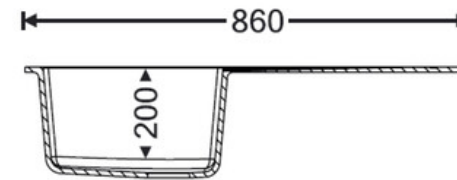
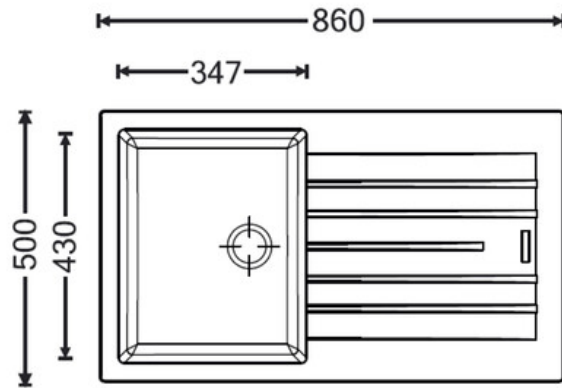
Date of download: October 23, 2024

AGA Rangemaster continuously seeks improvements in specification, design and production of products and thus, alterations take place periodically. Whilst every effort is made to produce up-to date resources, the information included here is intended as a guide. Always refer to the product's installation instructions when fitting, installation work should be completed a professional tradesman.

ANDESITE IGNEOUS GRANITE INSET SINK

AND860AS/

Technical Drawing



Date of download: October 23, 2024

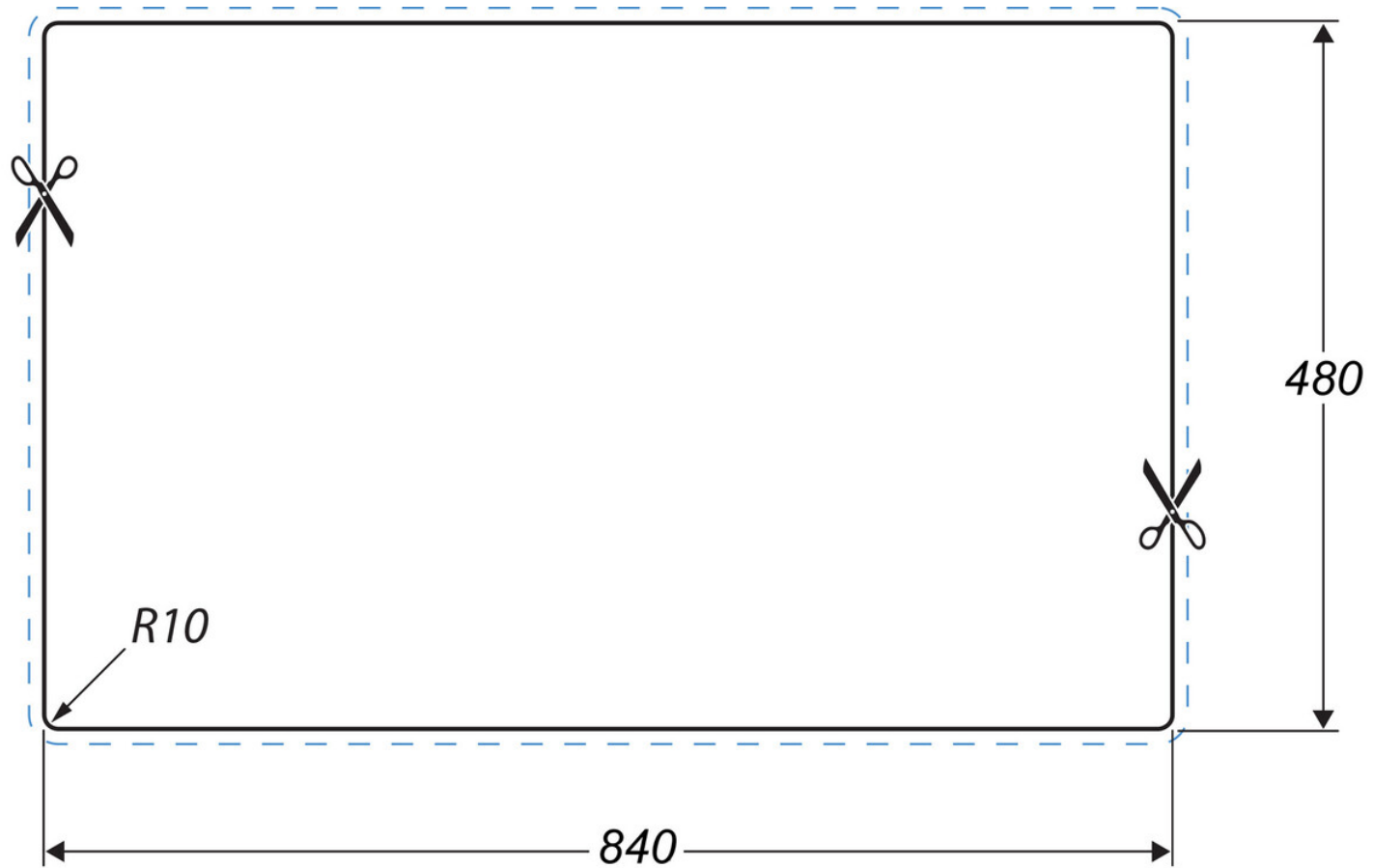
AGA Rangemaster continuously seeks improvements in specification, design and production of products and thus, alterations take place periodically. Whilst every effort is made to produce up-to date resources, the information included here is intended as a guide. Always refer to the product's installation instructions when fitting, installation work should be completed a professional tradesman.

ANDESITE IGNEOUS GRANITE INSET SINK

AND860AS/

Cut Out Template

Dimensions in mm. Not to scale.



Date of download: October 23, 2024

AGA Rangemaster continuously seeks improvements in specification, design and production of products and thus, alterations take place periodically. Whilst every effort is made to produce up-to date resources, the information included here is intended as a guide. Always refer to the product's installation instructions when fitting, installation work should be completed a professional tradesman.