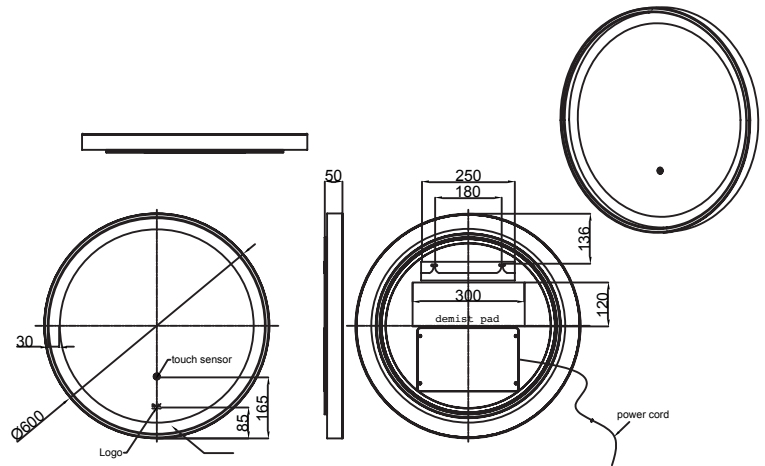


# RAK-PICTURE ROUND

Mirror

**RAK**  
CERAMICS



**Dimensions:**

600W X 50D X 600H

**Colour:**

Chrome (CP)

**Code:**

RAKPICRNCP5001

**Warranty:**

2 Years

**Weight:**

Dimension: All Dimensions in mm tolerance  $\pm 5\%$  for below 200mm and  $\pm 3\%$  for above 200mm.  
Note: Due to a continuing development programme to improve design and performance the manufacturer reserves all rights to vary specifications without prior information.  
Please note all accessories are for photographic use only.