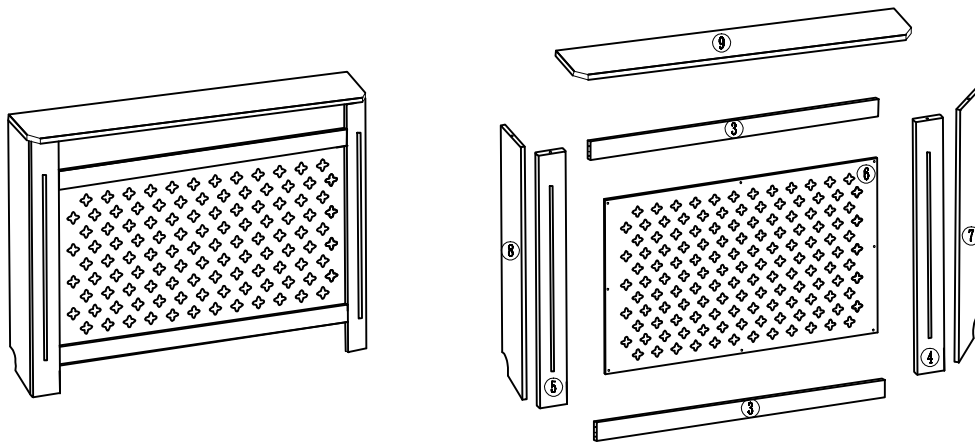
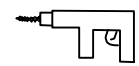


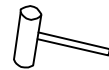
Instruction Manual



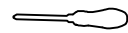
Tools needed



churn drill

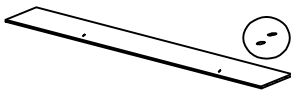


hammer

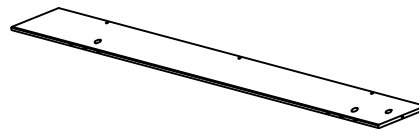


cross screwdriver

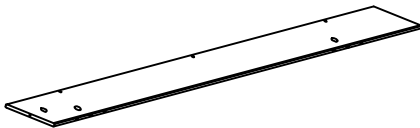
Please note that there is no No.1 and No.2 panel !



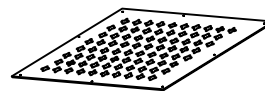
③ x2 527*105*12mm



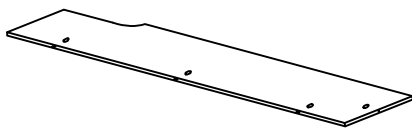
④ x1 803*110*12mm



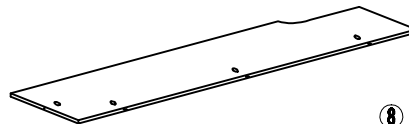
⑤ x1 803*110*12mm



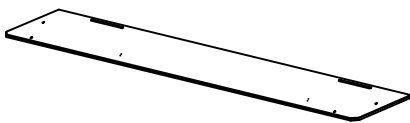
⑥ x1 570*479*3mm



⑦ x1 803*168*12mm



⑧ x1 803*168*12mm



⑨ x1 780*190*12mm



Ax2



Bx14



Cx14



Dx8



Ex8



Fx4



Gx4



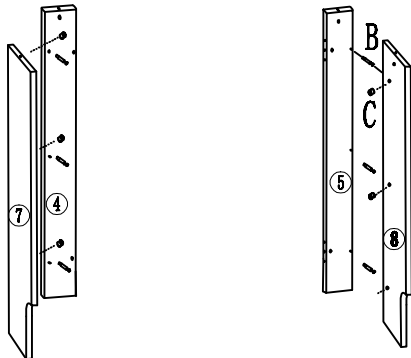
Hx2



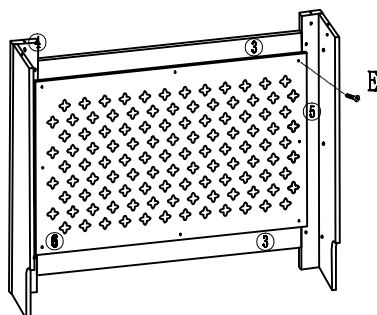
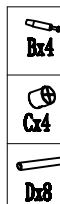
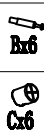
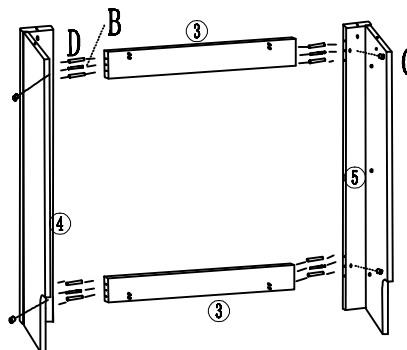
Ix8



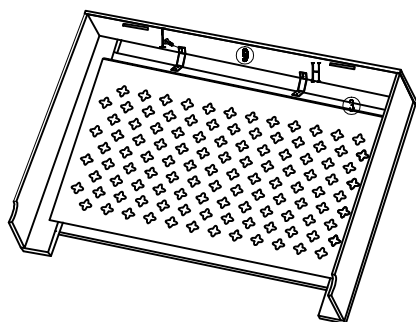
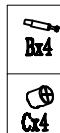
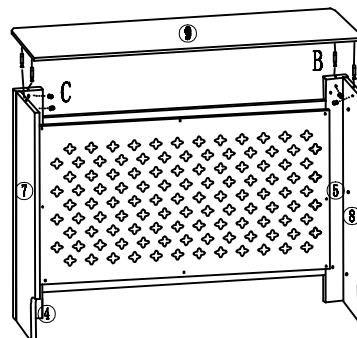
Using a screwdriver, screw in the #B screws securely. Please do not over tighten as it may cause wood to splinter. The small arrow on the #C Cam Locking Screw should be facing the #B screws extending from the panel. Use screwdriver to tighten securely, but avoid over tightening, screws may protrude through the panel.



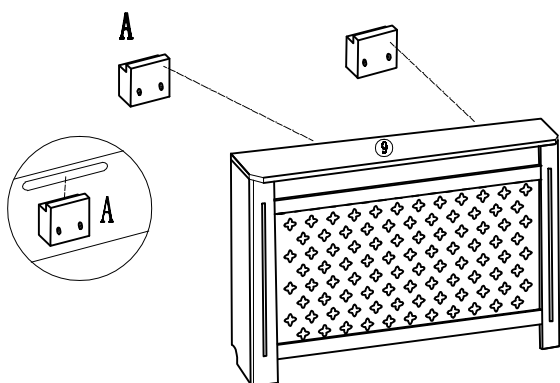
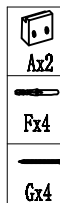
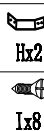
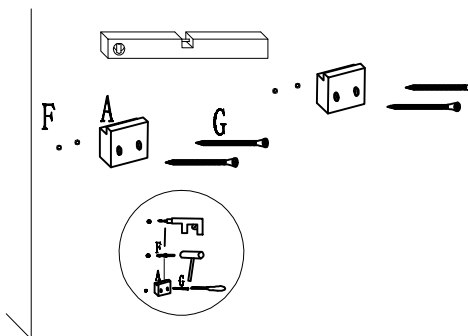
1 2



3 4



5 6



7