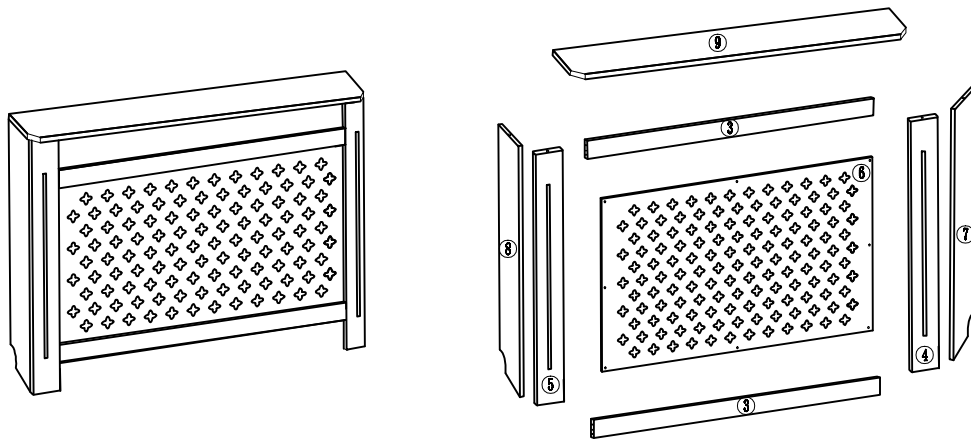
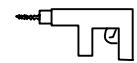


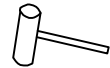
# Instruction Manual



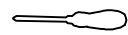
## Tools needed



churn drill

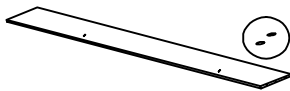


hammer

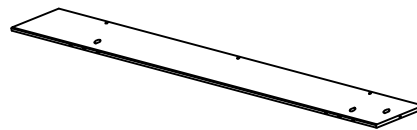


cross screwdriver

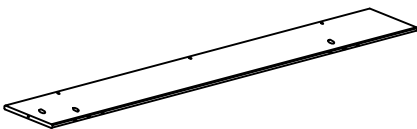
Please note that there is no No.1 and No.2 panel !



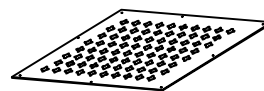
③ x2 872\*105\*12mm



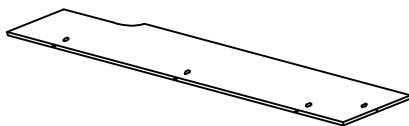
④ x1 803\*110\*12mm



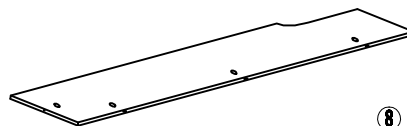
⑤ x1 803\*110\*12mm



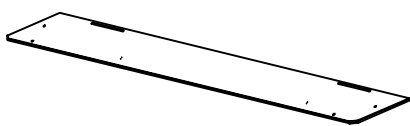
⑥ x1 910\*479\*3mm



⑦ x1 803\*168\*12mm



⑧ x1 803\*168\*12mm



⑨ x1 1120\*190\*12mm



Ax2



Bx14



Cx14



Dx8



Ex8



Fx4



Gx4



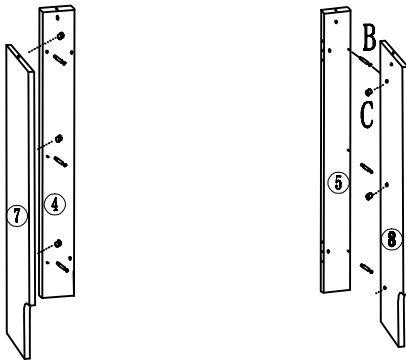
Hx2



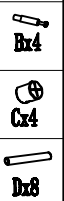
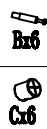
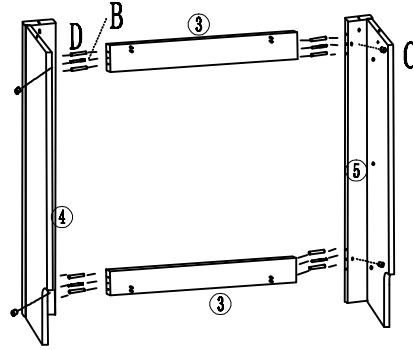
Ix8



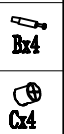
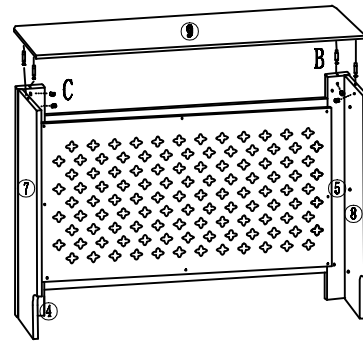
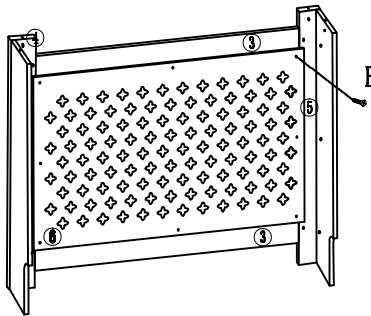
Using a screwdriver, screw in the #B screws securely. Please do not over tighten as it may cause wood to splinter. The small arrow on the #C Cam Locking Screw should be facing the #B screws extending from the panel. Use screwdriver to tighten securely, but avoid over tightening, screws may protrude through the panel.



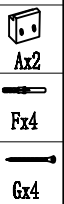
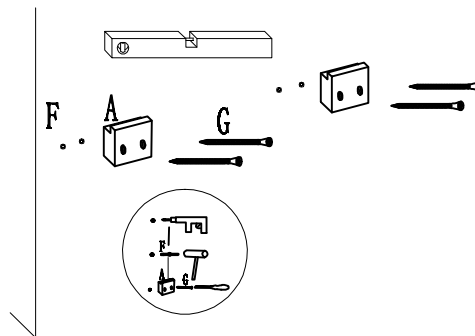
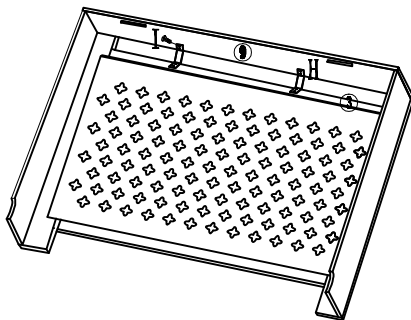
1 2



3 4



5 6



7

