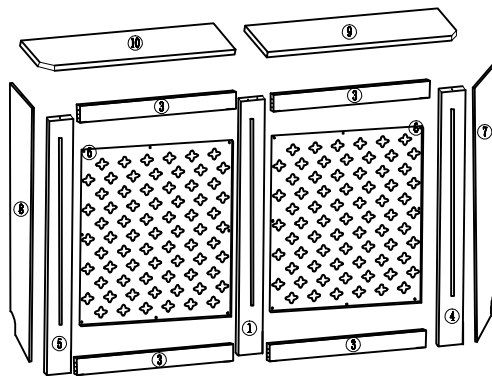
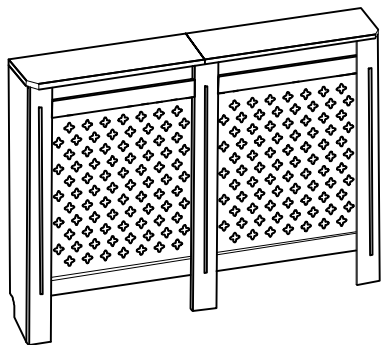
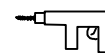


Instruction Manual



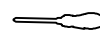
Tools needed



churn drill

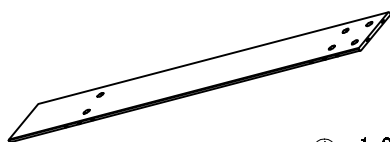


hammer

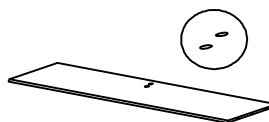


cross screwdriver

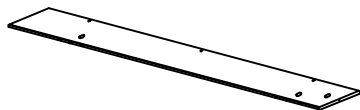
Please note that there is no No.2 panel !



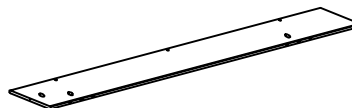
① x1 803*110*12mm



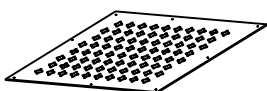
③ x4 581*105*12mm



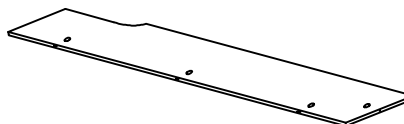
④ x1 803*110*12mm



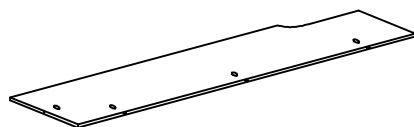
⑤ x1 803*110*12mm



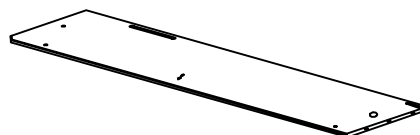
⑥ x2 630*479*3mm



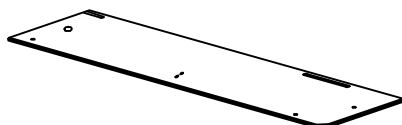
⑦ x1 803*168*12mm



⑧ x1 803*168*12mm



⑨ x1 760*190*12mm



⑩ x1 760*190*12mm



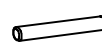
Ax3



Bx20



Cx22



Dx18



Ex16



Fx6



Gx6



Hx2



Ix8

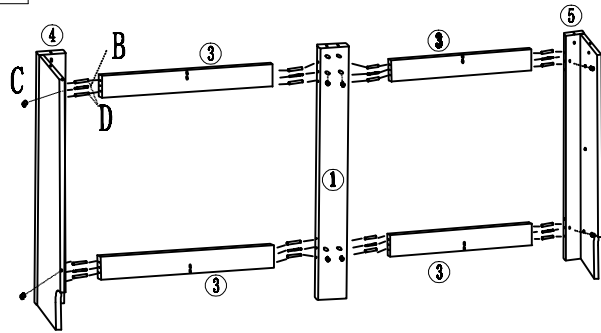
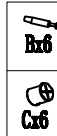
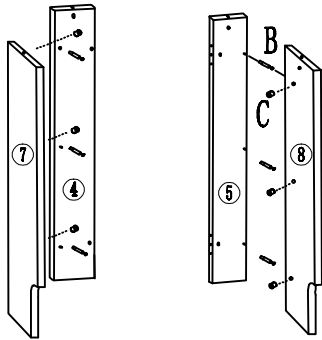


Jx1

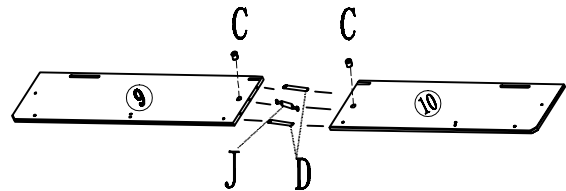
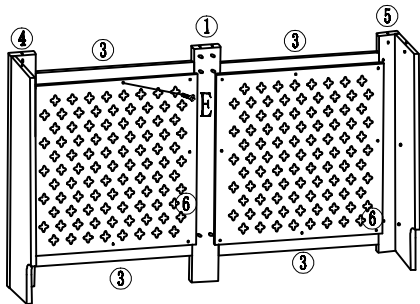


Using a screwdriver, screw in the #B screws securely. Please do not over tighten as it may cause wood to splinter. The small arrow on the #C Cam Locking Screw should be facing the #B screws extending from the panel. Use screwdriver to tighten securely, but avoid over tightening, screws may protrude through the panel.

1 2

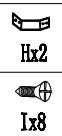
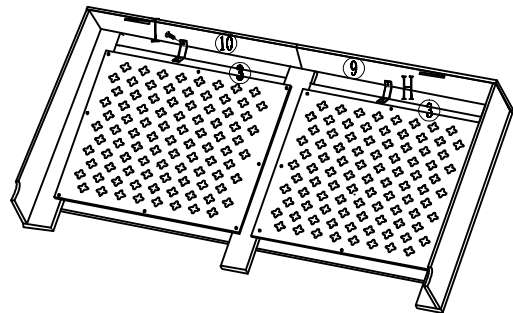
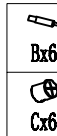
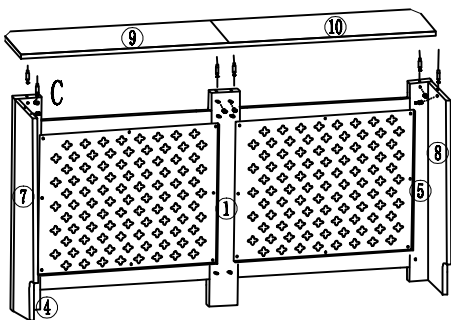


3 4



5 6

Keep the panels 9&10 on the same level when moving or the screws may protrude through the panels.



7 8

