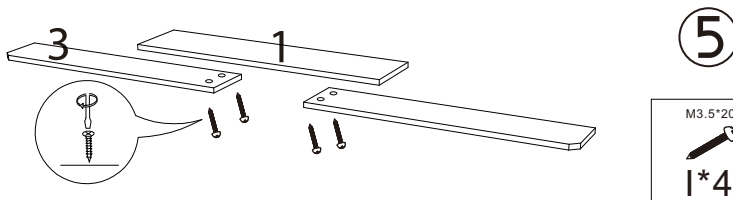
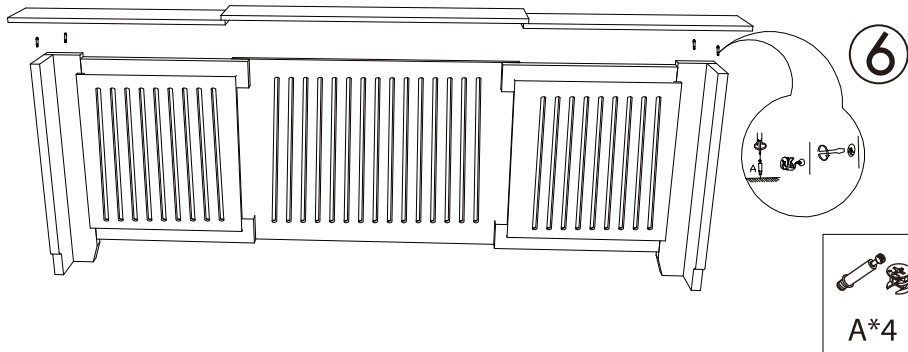


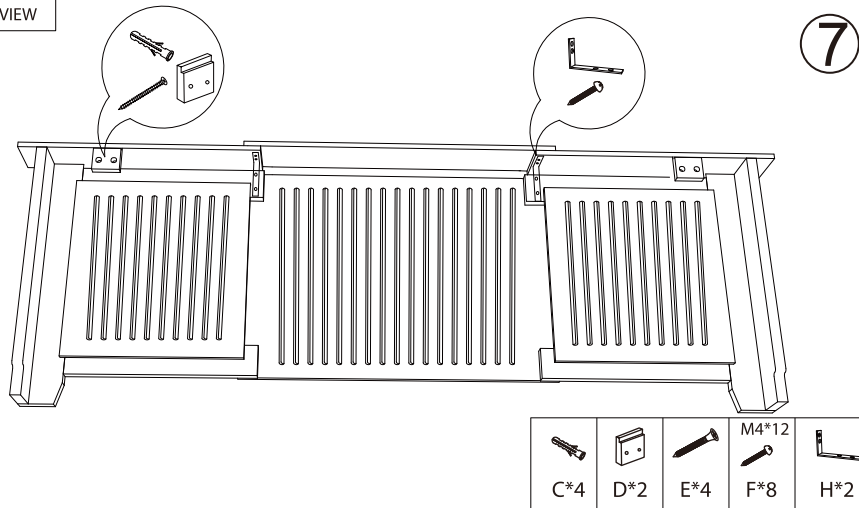
FRONT VIEW



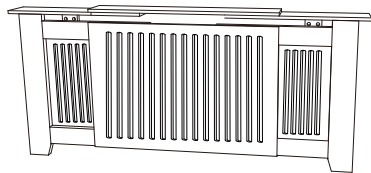
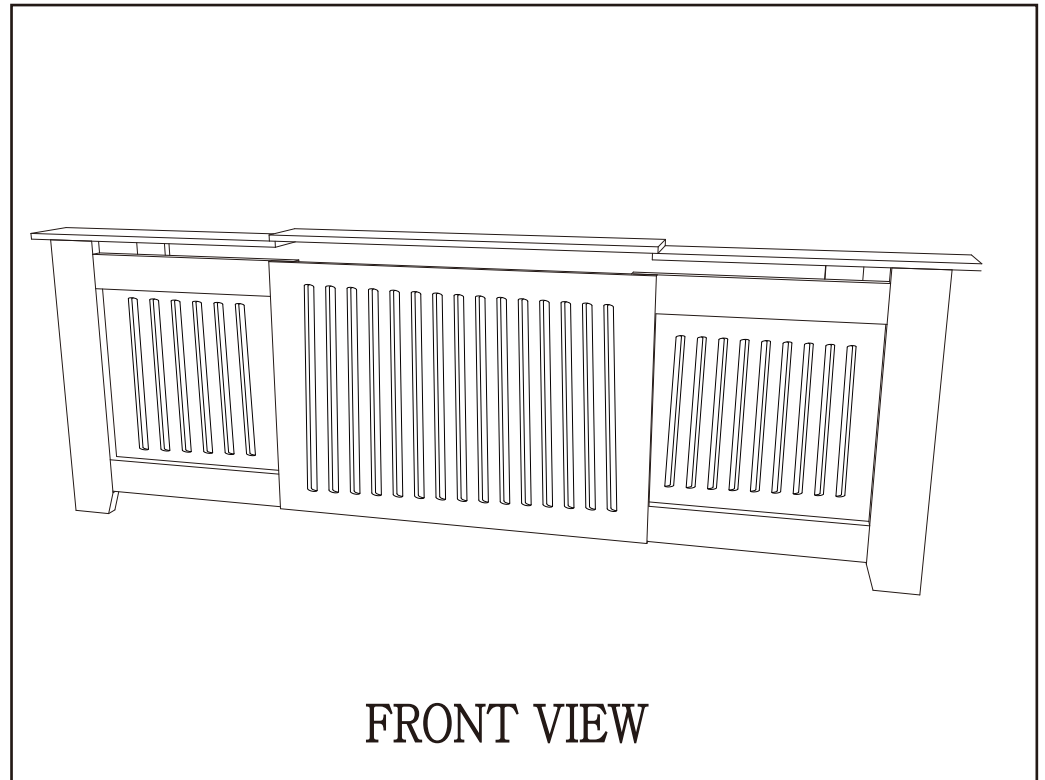
BACK VIEW



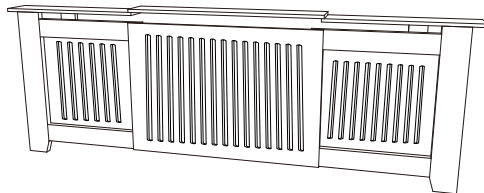
BACK VIEW



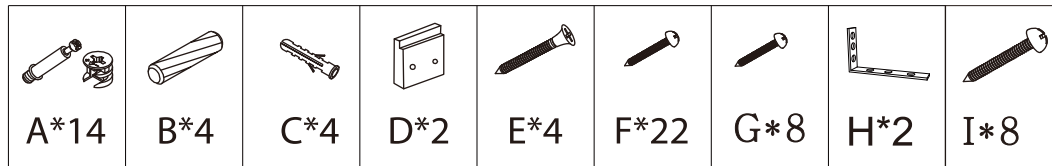
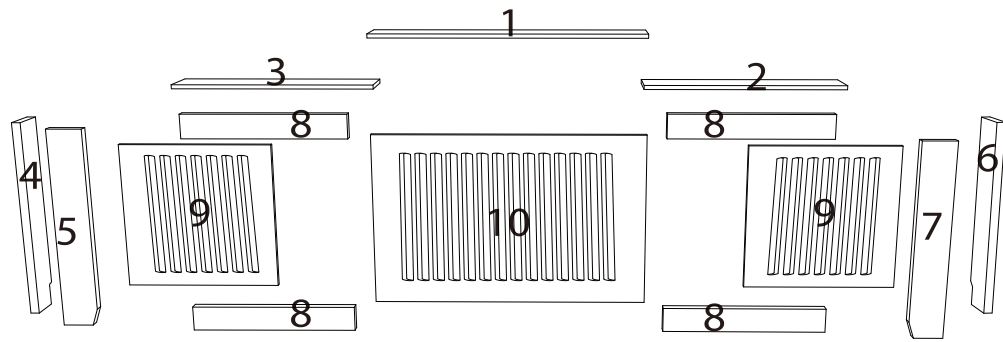
# Radiator Cover Instruction Guide



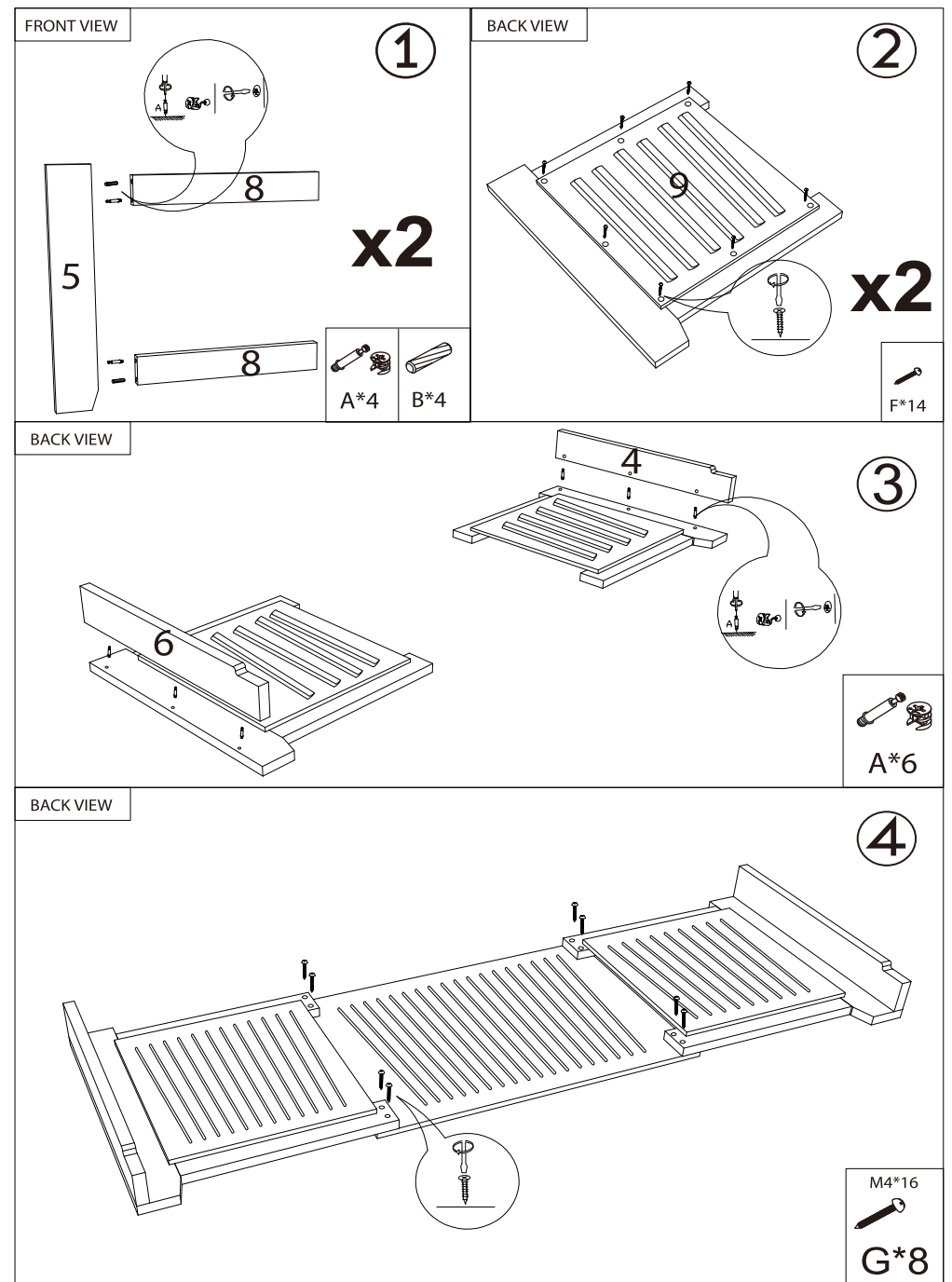
Minimum External Size: 1.40 mtrs



Maximum External Size: 2.04 mtrs



ITEM NO.	QUANTITY
1	1 PC
2	1 PC
3	1 PC
4	1 PC
5	1 PC
6	1 PC
7	1 PC
8	4 PCS
9	2 PCS
10	1 PC



## Check out our full range of Heating Products

Central Heating Controls

Honeywell Heating Controls

Danfoss Heating Controls

Radiator Valves

Fernox

Sentinel

Magnaclean

Warmup underfloor heating

Water Heaters

Hand Dryers

**plumbworld**  
**Big brands, small prices.**