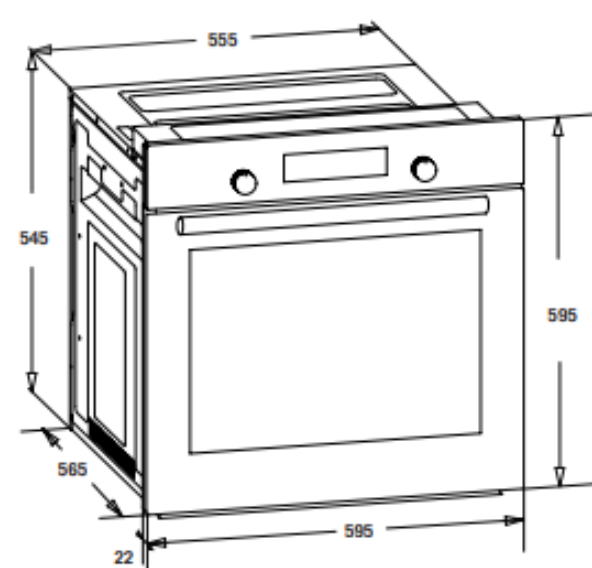


# Product Data Sheet

**prima**<sup>+</sup>  
The Smarter Choice™



| Prima Code                  | PRSO101                         |
|-----------------------------|---------------------------------|
| Description                 | Prima single electric fan oven  |
| Colour                      | Stainless steel                 |
| EAN Code                    | 5054913470646                   |
| No. of cooking Functions:   | 4                               |
| Cooking Functions           | 'True' fan oven                 |
|                             | Grill                           |
|                             | Grill + Fan                     |
|                             | Defrost                         |
| Features                    | 'Easy-remove' inner glass panel |
|                             | 1 chrome shelf                  |
|                             | 1 grill pan & trivet            |
|                             | chrome grill pan handle         |
|                             | Removable side racks            |
|                             | Double glazed door              |
| Display                     | n/a                             |
| Controls                    | Mechanical/Rotary               |
| Timer                       | Mechanical Timer: 0-120 minutes |
| Net Capacity                | 60 litres                       |
| Gross Capacity              | 66 litres                       |
| Connection cable length     | 100cm                           |
| Maximum Connecion           | 2000W                           |
| Electrical Voltage          | 220 - 240V                      |
| Frequency                   | 50/60Hz                         |
| Fuse rating                 | 13A (Plug)                      |
| Energy Rating               | A                               |
| Product Height (mm)         | 595                             |
| Product Width (mm)          | 595                             |
| Product Depth (mm)          | 530 (body) + 22 (frame)         |
| Required Cavity Height (mm) | min 570 / max 590               |
| Required Cavity Width (mm)  | min 555 / max 560               |
| Required Cavity Depth (mm)  | min 565                         |
| Guarantee                   | 5 Year parts & 2 year labour    |