



# prima

**PRCH702 PRCH703**

**Cooker Hood**

**Instruction Manual**








## Content

Safety instructions.....	2-4
Installation.....	5-7
Start using your cooker hood.....	8
Troubleshooting.....	9
Maintenance and cleaning.....	10-12
Environment protection.....	13-15
Help and assistance.....	16



## SAFETY INSTRUCTIONS

This manual explains the proper installation and use of your cooker hood, please read it carefully before using even if you are familiar with the product. The manual should be kept in a safe place for future reference.

### Never to do:

- Do not try to use the cooker hood without the grease filters or if the filters are excessively greasy!
- Do not install above a cooker with a high level grill.
- Do not leave frying pans unattended during use because overheated fats or oils might catch fire.
- Never leave naked flames under the cooker hood.



- If the cooker hood is damaged, do not attempt to use.
- Do not flambé under the cooker hood.
- CAUTION: Accessible parts may become hot when used with cooking appliances.
- The minimum distance between the supporting surface for the cooking vessels on the hob and the lowest part of the cooker hood. (When the cooker hood is located above a gas appliance, this distance shall be at least 65 cm)
- The air must not be discharged into a flue that is used for exhausting fumes from appliances burning gas or other fuels. Range hoods and other cooking fume extractors may adversely affect the safe operation of appliances burning gas or other fuels (including those in other rooms) due to back flow of combustion gases. These gases can potentially result in carbon monoxide poisoning. After installation of a range hood or other cooking fume extractor, the operation of open flued gas appliances should be tested by a competent person to ensure that back flow of combustion gases does not occur.



### **Always to do:**

- Important! Always switch off the electricity supply at the mains during installation and maintenance such as light bulb replacement.
- The cooker hood must be installed in accordance with the installation instructions and all measurements followed.
- All installation work must be carried out by a competent person or qualified electrician.
- Please dispose of the packing material carefully. Children are vulnerable to it.
- Pay attention to the sharp edges inside the cooker hood especially during installation and cleaning.
- Make sure the ducting has no bends sharper than 90 degrees as this will reduce the efficiency of the cooker hood.
- Warning: Failure to install the screws or fixing device in accordance with these instructions may result in electrical hazards.
- Warning: Before obtaining access to terminals, all supply circuits must be disconnected.

### **Always to do:**

- Always put lids on pots and pans when cooking on a gas cooker.
- When in extraction mode, air in the room is being removed by the cooker hood.
- Please make sure that proper ventilation measures are being observed. The cooker hood removes odours from room but not steam.
- There shall be adequate ventilation of the room when the cooker hood is used at the same time as appliances burning gas or other fuels.
- Cooker hood is for domestic use only.



- If the supply cord is damaged, it must be replaced by the manufacturer, its service agent or similarly qualified persons in order to avoid a hazard.
- This appliance can be used by children aged from 8 years and above and persons with reduced physical, sensory or mental capabilities or lack of experience and knowledge if they have been given supervision or instruction concerning use of the appliance in a safe way and understand the hazards involved. Children shall not play with the appliance. Cleaning and user maintenance shall not be made by children without supervision.



### **Always to do:**

- Caution: The appliance and its accessible parts can become hot during operation. Be careful to avoid touching the heating elements. Children younger than 8 years old should stay away unless they are under permanent supervision.
- There is a fire risk if cleaning is not carried out in accordance with the instructions.
- Regulations concerning the discharge of air have to be fulfilled.
- Clean your appliance periodically by following the method given in the chapter MAINTENANCE.
- For safety reason, please use only the same size of fixing or mounting screw which are recommended in this instruction manual.
- Regarding the details about the method and frequency of cleaning, please refer to maintenance and cleaning section in the instruction manual.
- Cleaning and user maintenance shall not be made by children without supervision.
- When the cooker hood and appliances supplied with energy other than electricity are simultaneously in operation, the negative pressure in the room must not exceed 4 Pa ( $4 \times 10^{-5}$  bar).
- WARNING: Danger of fire: do not store items on the cooking surfaces.
- A steam cleaner is not to be used.
- NEVER try to extinguish a fire with water, but switch off the appliance and then cover flame e.g. with a lid or a fire blanket.

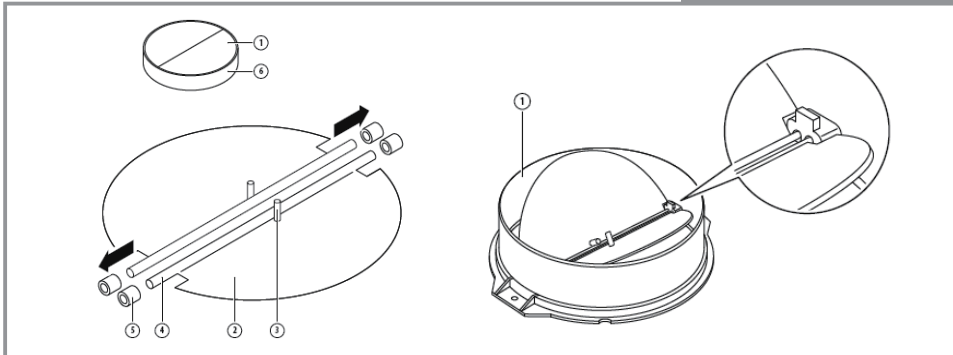
## INSTALLATION (VENT OUTSIDE)

### MOUNTING OF THE V-FLAP

If the cooker hood does not have an assembled V-flap 1, you should mount the half-parts to its body. The images only show an example of how to mount the V-flap, because the outlet may vary according to different models and configurations.

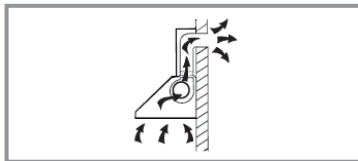
To mount the V-flap 1 you should:

- Mount two half-parts 2 into the body 6;
- the pin 3 should be top oriented;
- the axis 4 should be inserted into the holes 5 on the body;
- repeat all the operations for the 2nd half-part.

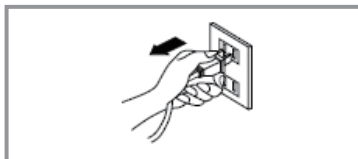


### INSTALLATION

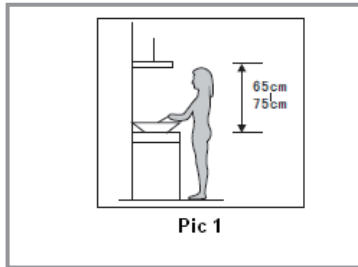
If you have an outlet to the outside, your cooker hood can be connected as below picture by means of an extraction duct (enamel, aluminum, flexible pipe or non-flammable material with an interior diameter of 150mm)



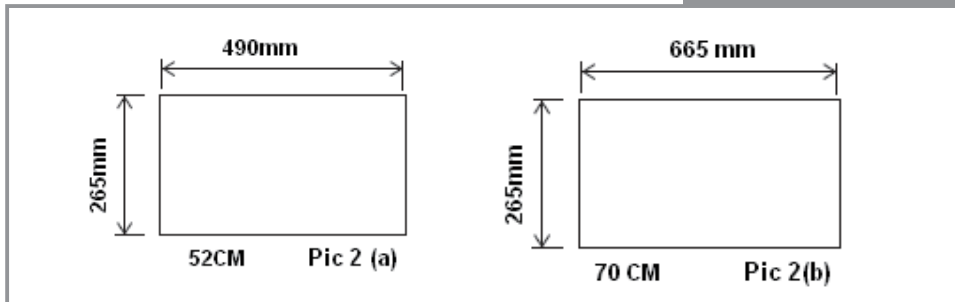
1. Before installation, turn the unit off and unplug it from the outlet.



2. The cooker hood should be placed at a distance of 65-75cm above the cooking surface for best effect.



3. Drill a hole in the cupboard, with hole wide 490\*265(mm) for model 52CM, hole wide 665\*265(mm) for model 70CM .Refer to pic below.Make sure the distance between the edge of the hole and the edge of the cupboard edge is at least 35mm.



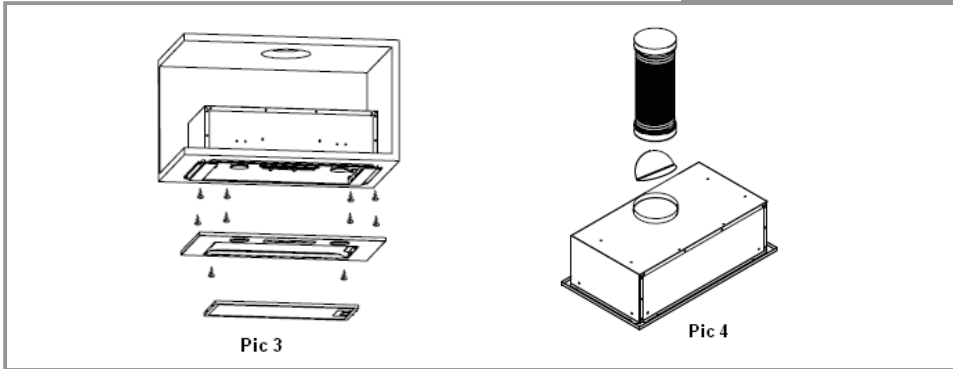
4. Remove the aluminum filter and remove the two front panel screws.

5. Use a screwdriver to secure the 8pcs ST4\*18 screws and fix the hood body to the cupboard.

6. Replace the front panel with the two screws and replace the filter.

7. Install the v-flaps in the outlet, and fix the expansion pipe to the outlet with cable tie.

Note: The expansion pipe is not included in the product.



WARNING:



For safety reason, please use only the same size of fixing or mounting screws which are recommended in this instruction manual. Failure to install the screws or fixing device in accordance with these instructions may result in electrical hazards.

## Start Using Your Cooker Hood

### Toggle switch

There are 3 speeds for the motor and on off switch for the lamp.

1. Lamp – Turn on/off light

"O" – to switch off light

"I" – to switch on light

Power – Slide out drawer, power on; slide in drawer, power off.

2. Speed –select speed to suit cooking conditions

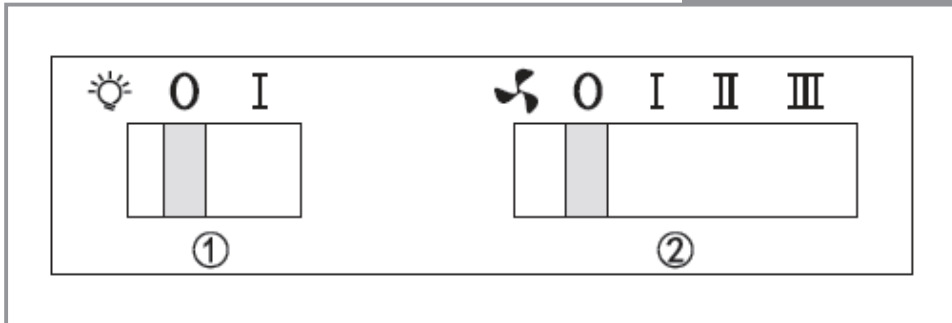
"O" – to switch off motor

Low ( I ) – light frying/boiling

Medium ( II ) – frying/wok cooking/heavy boiling

High ( III ) – grilling, intensive frying and wok cooking

Power – Slide out drawer, power on; slide in drawer, power off.



## Troubleshooting

Fault	Possible Cause	Solution
Light on, but motor does not work	Fan switch turned off	Select a fan switch position.
	Fan switch failed	Contact service center.
	Motor failed	Contact service center.
Light does not work, motor does not work	House fuses blown	Reset/Replace fuses.
	Mains power cable is loose or disconnected	Refit mains power cable to power outlet. Switch power outlet on.
Oil leakage	One way valve and the outlet are not tightly sealed	Take down the one way valve and seal with sealant.
	Leakage from the connection of chimney and cover	Take chimney down and seal.
Lights not working	Broken or faulty bulbs	Replace bulbs as per this instruction.
Insufficient suction	The distance between the cooker hood and the gas top is too far	Refit the cooker hood to the correct distance.
The Cooker hood inclines	The fixing screw is not tight enough	Tighten the hanging screw and make it horizontal.

### NOTE:



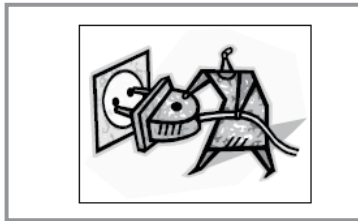
Any electrical repairs to this appliance must conform to your local, state and federal laws. Please contact the service centre if in any doubt before undertaking any of the above. Always disconnect the unit from the power source when opening the unit.

## MAINTENANCE AND CLEANING

### Caution:

Before maintenance or cleaning is carried out, the cooker hood should be disconnected from the mains power supply. Ensure that the cooker hood is switched off at the wall socket and the plug removed.

External surfaces are susceptible to scratches and abrasions, so please follow the cleaning instructions to ensure the best possible result is achieved without damage.



### GENERAL

Cleaning and maintenance should be carried out with the appliance cold especially when cleaning. Avoid leaving alkaline or acid substances (lemon juice, vinegar etc.) on the surfaces.

### STAINLESS STEEL

The stainless steel must be cleaned regularly (e.g. weekly) to ensure a long life expectancy. Dry with a clean soft cloth. A specialized stainless steel cleaning fluid may be used.

#### NOTE:

Ensure that wiping is done along with the grain of the stainless steel to prevent any unsightly crisscross scratching patterns from appearing.

### CONTROL PANEL SURFACE

The inlay control panel can be cleaned using warm soapy water. Ensure the cloth is clean and well wrung before cleaning. Use a dry soft cloth to remove any excess moisture left after cleaning.

### Important

Using neutral detergents and avoid using harsh cleaning chemicals, strong household detergents or products containing abrasives, as this will affect the appearance of the appliance and potentially remove any printing of artwork on the control panel and will void manufacturer's warranty.

### GREASE MESH FILTERS

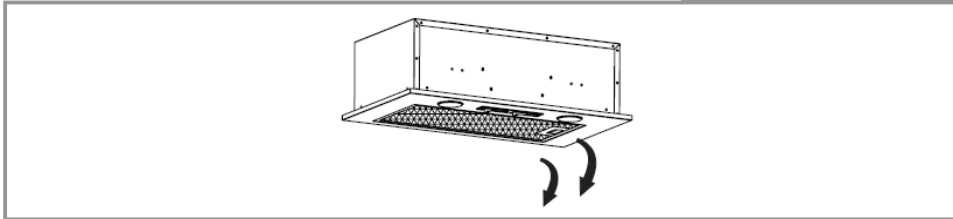
Immerse the filter in water at around 40–50°C, pour in cleaning agent, soaking for about 2–3 minutes, and then brush the filter with a soft brush. Do not apply too much pressure, avoid to damage it.

The filter can be washed in a dishwasher. Put the filter into the dishwasher, add cleaning agent, and adjust the temperature to around 60°C for washing.

All filters are made of metal, please do not use cleaning agents that have a corrosive effect on metal products when cleaning.

## NOTE:

Please make sure the power is turned off when cleaning the appliance.  
The disassembly order of filter is shown in the figure below:



## INSTALLING GREASE MESH FILTERS

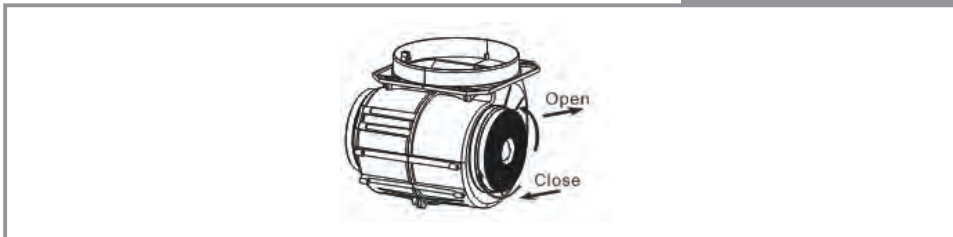
To install filters for the following four steps :

- Angle the filter into the slots at the back of the hood.
- Push the button on the handle of the filter.
- Release the handle once the filter fits into a resting position.
- Repeat to install all filters.

## CARBON FILTER- not supplied in the package

Activated carbon filter can be used to trap odors. Normally the activated carbon filter should be changed every 3 to 6 months according to your cooking habits. The installation procedure of activated carbon filter is as below:

1. Before installing or replacing the carbon filters, disconnect mains power to the unit.
2. Press the filter lock and remove the mesh filter.
3. Turn the carbon filter on both sides of the motor anti-clockwise. Replace the carbon filters with the new carbon filters.
4. Place the mesh filter.
5. Connect the power supply to the wall socket.



## NOTE:

Make sure the filter is securely locked. Otherwise, it would loosen and cause danger.  
When activated carbon filter attached, the suction power will be lowered.

## BULB REPLACEMENT

Important :



The bulb must be replaced by the manufacturer, its service agent or similarly qualified persons.

Always switch off the electricity supply before carrying out any operations on the appliance. When handling bulb, make sure it has completely cooled down before any direct contact with hands.

When handling bulbs hold with a cloth or gloves to ensure perspiration does not come in contact with the bulb as this can reduce the life of the bulb.

### NOTE:

Before changing the lights, make sure that the appliance is turned off and unplugged.

Protect against danger when changing lights, such as wearing gloves.

### Changing the lights:

Remove the grease filter.

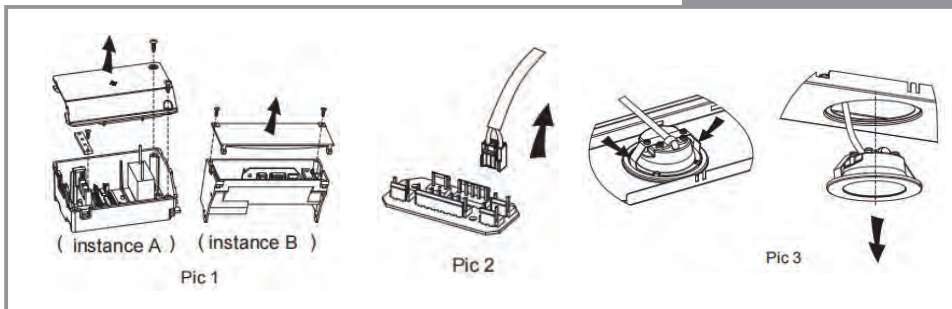
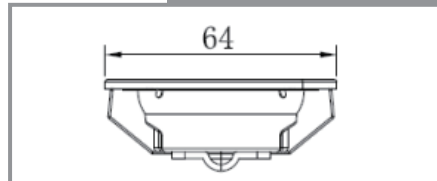
Find out the junction box, unscrew the screws on the junction box cover, then take down the junction box cover (If there is wire pressing plate which pressed the light wire, the wire pressing plate needs to be dismantled first). See pic 1. Find out the terminal of the light connecting wire and pull it out. See pic 2.

Use a tool or the hand to press the spring splinter of both sides of LED light to the inside, until the light is pressed out, then slightly pull the light connecting wire out. See pic 3.

Apply the reverse procedure to install the light back.

ILCOS D code for this lamp is: DBR-2/30-H-64

- LED modules -round lamp
- Max wattage: 2×2W
- Voltage range: AC 110-240V
- Dimensions:



## ENVIRONMENTAL PROTECTION:



This product is marked with the symbol on the selective sorting of waste electronic equipment. This means that this product must not be disposed of with household waste but must be supported by a system of selective collection in accordance with Directive 2012/19/EU. It will then be recycled or dismantled to minimize impacts on the environment, electrical and electronic products are potentially dangerous for the environment and human health due to the presence of hazardous substances. For more information, please contact your local or regional authorities.

### NOTE:

The following shows how to reduce total environmental impact (e.g. energy use) of the cooking process).

- (1) Install the cooker hood in a proper place where there is efficient ventilation.
- (2) Clean the cooker hood regularly so as not to block the airway.
- (3) Remember to switch off the cooker hood light after cooking.
- (4) Remember to switch off the cooker hood after cooking.

### INFORMATION FOR DISMANTLING

Do not dismantle the appliance in a way which is not shown in the user manual. The appliance could not be dismantled by user. At the end of life, the appliance should not be disposed of with household waste. Check with your Local Authority or retainer for recycling advice.

## Energy Efficiency Information

Attribute	Symbol	Value	Units
Model identification		PRCH702	
Annual Energy Consumption	$AEC_{Hood}$	28.1	kWh
Time increase factor	f	1.5	
Fluid Dynamic Efficiency	$FDE_{Hood}$	14.6	
Energy Efficiency Index	$EI_{Hood}$	65.8	
Measured airflow at Best Efficiency Point	$Q_{BEP}$	173.3	m <sup>3</sup> /h
Measured Pressure at Best Efficiency Point	$P_{BEP}$	138	Pa
Maximum airflow	$Q_{MAX}$	315.1	m <sup>3</sup> /h
Measured electric power at Best Efficiency Point	$W_{BEP}$	45.5	W
Nominal lighting power	WL	4.4	W
Average illumination of the lighting system on the cooking surface	$E_{Middle}$	247	Lux
Measured power consumption instandby	$P_s$	--	W
Measured power consumption off mode	$P_o$	0.0	W
Sound power level	$L_{WA}$	62	dBa
Grease Filter Efficiency	$GFE_{Hood}$	69.2(D)	%
Lamp Efficiency	$LE_{Hood}$	56.1(A)	%

E & O E. All instructions, dimensions and illustrations are provided for guidance only. PRIMA reserve the right to change specifications without prior notice.

## Energy Efficiency Information

Attribute	Symbol	Value	Units
Model identification		PRCH703	
Annual Energy Consumption	$AEC_{Hood}$	29.9	kWh
Time increase factor	f	1.5	
Fluid Dynamic Efficiency	$FDE_{Hood}$	12.6	
Energy Efficiency Index	$EI_{Hood}$	67.0	
Measured airflow at Best Efficiency Point	$Q_{BEP}$	155.7	m <sup>3</sup> /h
Measured Pressure at Best Efficiency Point	$P_{BEP}$	144	Pa
Maximum airflow	$Q_{MAX}$	312.1	m <sup>3</sup> /h
Measured electric power at Best Efficiency Point	$W_{BEP}$	49.3	W
Nominal lighting power	WL	3.9	W
Average illumination of the lighting system on the cooking surface	$E_{Middle}$	163.2	Lux
Measured power consumption instandby	$P_s$	--	W
Measured power consumption off mode	$P_o$	0.0	W
Sound power level	$L_{WA}$	70	dB(A)
Grease Filter Efficiency	$GFE_{Hood}$	55.1(E)	%
Lamp Efficiency	$LE_{Hood}$	41.8(A)	%

E & O E. All instructions, dimensions and illustrations are provided for guidance only. PRIMA reserve the right to change specifications without prior notice.



# prima

## Help and assistance

If you require any technical guidance or find it is not operating as intended, a simple solution can often be found in the Troubleshooting section of these instructions or online at [www.primaappliancecare.com.uk](http://www.primaappliancecare.com.uk)

If you still require further assistance, call one of our experts on 0344 576 6841. To help give you a fast and efficient service please have the following information ready:

Model Ref:

Serial Number:

Date of Purchase:

## Contact:

[www.primaappliancecare.com.uk](http://www.primaappliancecare.com.uk)

**Helpline: 0344 576 6841**



**prima**

