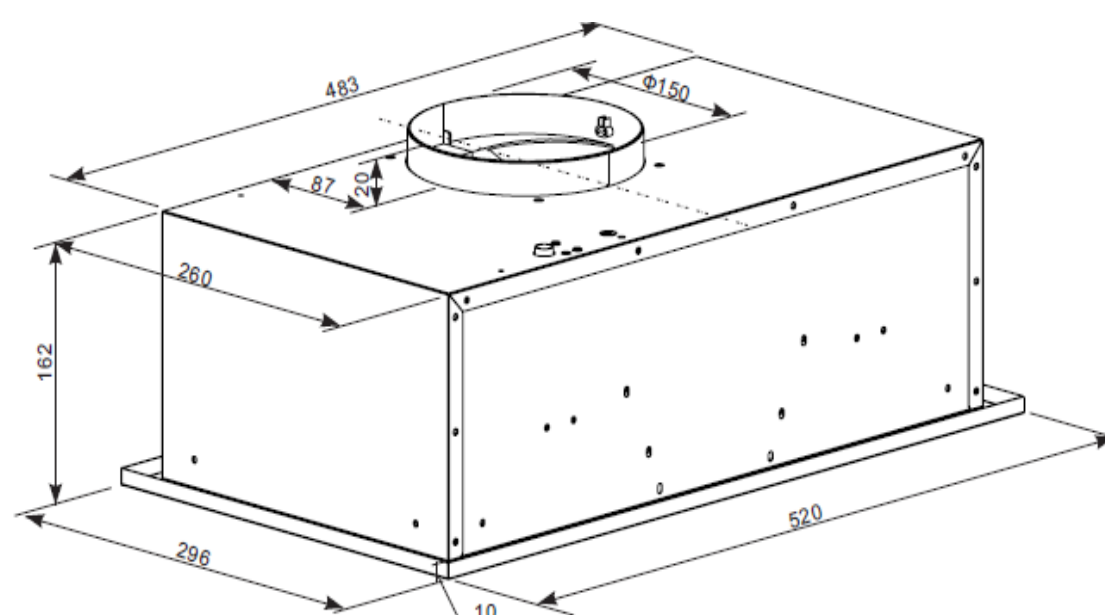
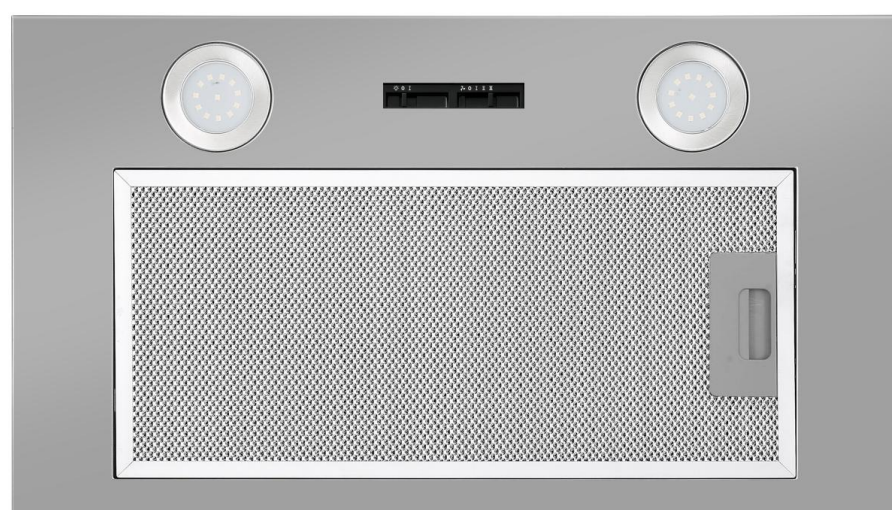


# Product Data Sheet

**prima**  
The Smarter Choice™



Prima Code	PRCH702
Description	Integrated Hood
Nominal Size	52cm
Colour	Grey
Controls	Slider Control
Speed Settings	3
EAN Code	5054913552175
Extraction Rate (m3/hr) - Speed 1	208
Extraction Rate (m3/hr) - Speed 2	270
Extraction Rate (m3/hr) - Speed 3	315
Free Airflow (m3/hr) - Speed 1	212
Free Airflow (m3/hr) - Speed 2	278
Free Airflow (m3/hr) - Speed 3	325
Noise Level dBA - Speed 1	57
Noise Level dBA - Speed 2	62
Noise Level dBA - Speed 3	64
Grease Filters	Acrylic
Required Height over Gas Hob (mm)	650
Required Height over Electric Hob (mm)	650
Lights	2 x 2W LED
Energy Class	B
Power Supply	3A
Total Rated Power Consumption	69W
Product Height (mm)	162
Product Width (mm)	520
Product Depth (mm)	296
Outlet Diameter	150mm
Carbon Filters (Optional)	PRF014
Ducting Kit (Optional)	PRDK002
Warranty	5 Year parts & 2 year labour