

prima


PRCH551
Cooker Hood
Instruction Manual





Content

Safety instructions.....	2-4
Installation.....	5-9
Start using your cooker hood.....	10
Troubleshooting.....	11
Maintenance and cleaning.....	12-15
Environment protection.....	15-16
Help and assistance.....	17



SAFETY INSTRUCTIONS

This manual explains the proper installation and use of your cooker hood, please read it carefully before using even if you are familiar with the product. The manual should be kept in a safe place for future reference.

Never to do:

- Do not try to use the cooker hood without the grease filters or if the filters are excessively greasy!
- Do not install above a cooker with a high level grill.
- Do not leave frying pans unattended during use because overheated fats or oils might catch fire.
- Never leave naked flames under the cooker hood.



- If the cooker hood is damaged, do not attempt to use.
- Do not flambé under the cooker hood.
- CAUTION: Accessible parts may become hot when used with cooking appliances.
- The minimum distance between the supporting surface for the cooking vessels on the hob and the lowest part of the cooker hood. (When the cooker hood is located above a gas appliance, this distance shall be at least 65 cm)
- The air must not be discharged into a flue that is used for exhausting fumes from appliances burning gas or other fuels. Range hoods and other cooking fume extractors may adversely affect the safe operation of appliances burning gas or other fuels (including those in other rooms) due to back flow of combustion gases. These gases can potentially result in carbon monoxide poisoning. After installation of a range hood or other cooking fume extractor, the operation of open flued gas appliances should be tested by a competent person to ensure that back flow of combustion gases does not occur.



Always to do:

- Important! Always switch off the electricity supply at the mains during installation and maintenance such as light bulb replacement.
- The cooker hood must be installed in accordance with the installation instructions and all measurements followed.
- All installation work must be carried out by a competent person or qualified electrician.
- Please dispose of the packing material carefully. Children are vulnerable to it.
- Pay attention to the sharp edges inside the cooker hood especially during installation and cleaning.
- Make sure the ducting has no bends sharper than 90 degrees as this will reduce the efficiency of the cooker hood.
- Warning: Failure to install the screws or fixing device in accordance with these instructions may result in electrical hazards.
- Warning: Before obtaining access to terminals, all supply circuits must be disconnected.

Always to do:

- Always put lids on pots and pans when cooking on a gas cooker.
- When in extraction mode, air in the room is being removed by the cooker hood.
- Please make sure that proper ventilation measures are being observed. The cooker hood removes odours from room but not steam.
- There shall be adequate ventilation of the room when the cooker hood is used at the same time as appliances burning gas or other fuels.
- Cooker hood is for domestic use only.



- If the supply cord is damaged, it must be replaced by the manufacturer, its service agent or similarly qualified persons in order to avoid a hazard.
- This appliance can be used by children aged from 8 years and above and persons with reduced physical, sensory or mental capabilities or lack of experience and knowledge if they have been given supervision or instruction concerning use of the appliance in a safe way and understand the hazards involved. Children shall not play with the appliance. Cleaning and user maintenance shall not be made by children without supervision.

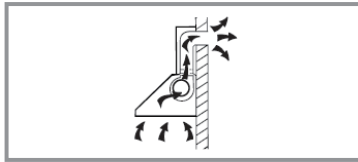


Always to do:

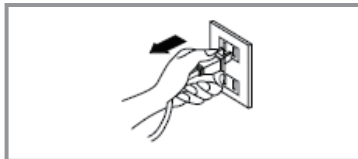
- Caution: The appliance and its accessible parts can become hot during operation. Be careful to avoid touching the heating elements. Children younger than 8 years old should stay away unless they are under permanent supervision.
- There is a fire risk if cleaning is not carried out in accordance with the instructions.
- Regulations concerning the discharge of air have to be fulfilled.
- Clean your appliance periodically by following the method given in the chapter MAINTENANCE.
- For safety reason, please use only the same size of fixing or mounting screw which are recommended in this instruction manual.
- Regarding the details about the method and frequency of cleaning, please refer to maintenance and cleaning section in the instruction manual.
- Cleaning and user maintenance shall not be made by children without supervision.
- When the cooker hood and appliances supplied with energy other than electricity are simultaneously in operation, the negative pressure in the room must not exceed 4 Pa (4×10^{-5} bar).
- WARNING: Danger of fire: do not store items on the cooking surfaces.
- A steam cleaner is not to be used.
- NEVER try to extinguish a fire with water, but switch off the appliance and then cover flame e.g. with a lid or a fire blanket.

INSTALLATION (VENT OUTSIDE)

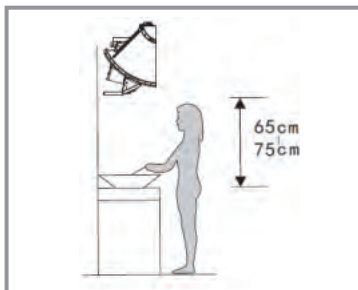
If you have an outlet to the outside, your cooker hood can be connected as below picture by means of an extraction duct (enamel, aluminum, flexible pipe or non-flammable material with an interior diameter of 120mm)



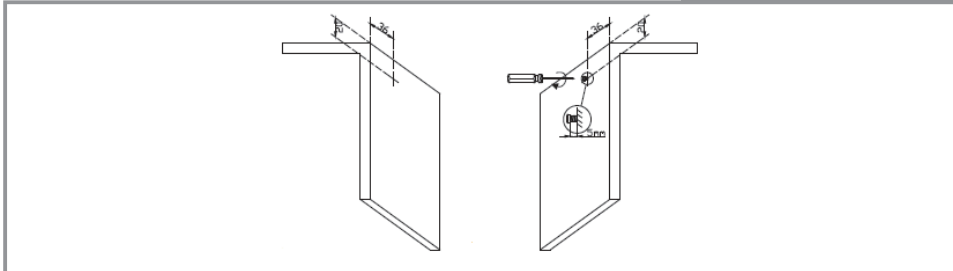
1. Before installation, turn the unit off and unplug it from the outlet.



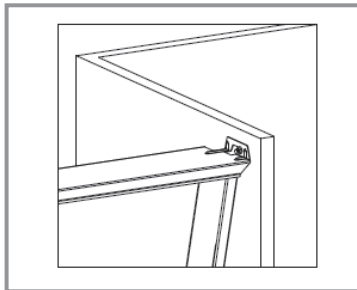
2. The cooker hood should be placed at a height of 65-75cm above the cooking surface for best efficiency.



3. Install the cooker hood between two cupboards. Drill and screw on the side boards of the cupboards (the holes $\leq 2\text{mm}$). The distance between the head of the screw and the side board should be 5mm, and the distance between the screw and the cooking surface should no less than 1040mm. If there is not room enough, you can place it higher or lower.

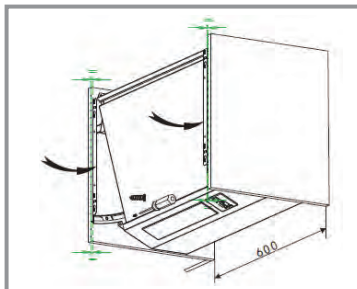


4. Hang the cooker hood on the screws between the two cupboards.

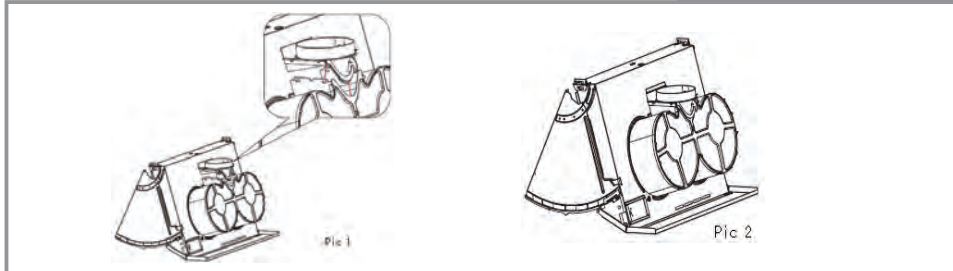


5. Push the fan-shaped door frames to the end, in order to make the outer edges of the door frames at the same vertical level as the outer edge of the cupboards.

6. Mark the positions where you install the lower screws. Drill the upper hole and fix the screws. Make sure all four screws are well fixed.

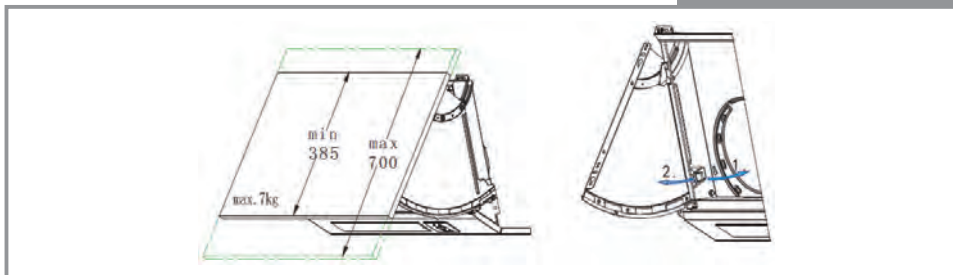


7. Install the outlet as followings: Align the 3 pcs side slots of the outlet with the 3 edges of the blower, insert the 3 edges into the outlet slot, See pic 1, then finish as pic 2 shown.

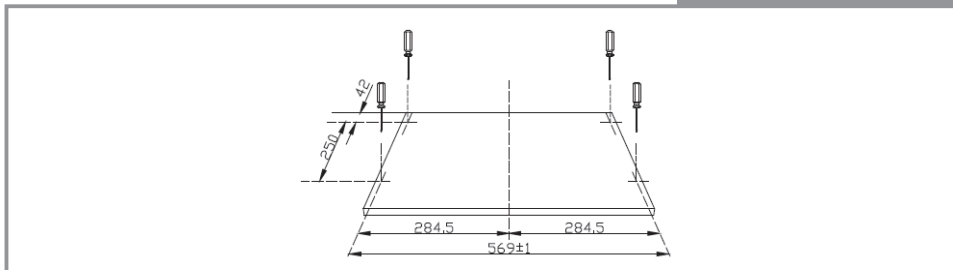


8. Connect the air-outlet board and the air-outlet tube (Vent Hose) which will need to feed through to the outside of the building. Rigid kits, if preferred, can be obtained from either the retailer who supplied the hood, or DIY Stores and Builders Merchants.

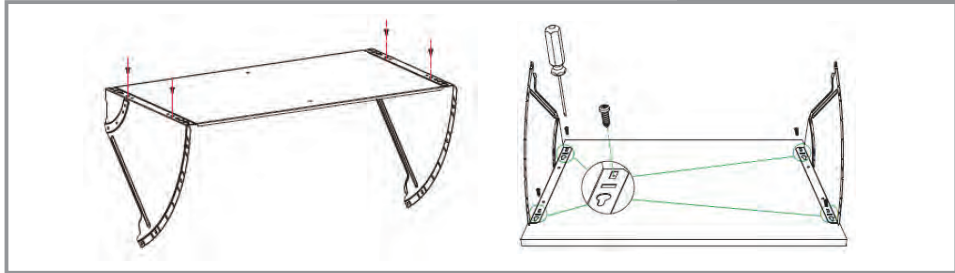
9. Door installation: The door should be no less than 16mm thick, 385-700mm high, and weigh no more than 7KG. Pull out the movable fan-shaped door frames by the plastic handle, and place the fan-shaped door frames one on left and one on right.



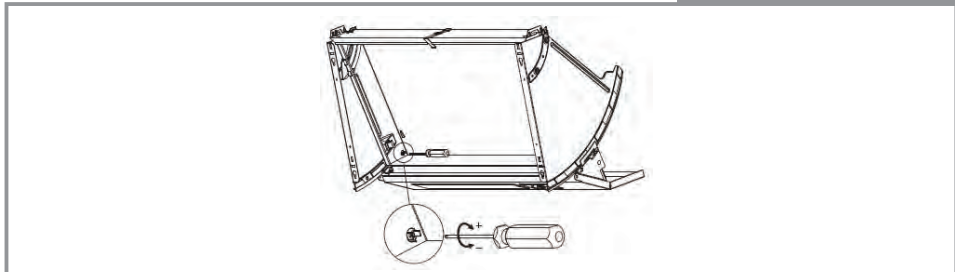
10. Mark the installation position of the door and the size of the fixed screws. If the upper edge of the door is not as high as the upper edge of the cupboards, please adjust the size accordingly. Mark the positions of the screws on the door, and make sure the size is as accurate as 569±1.



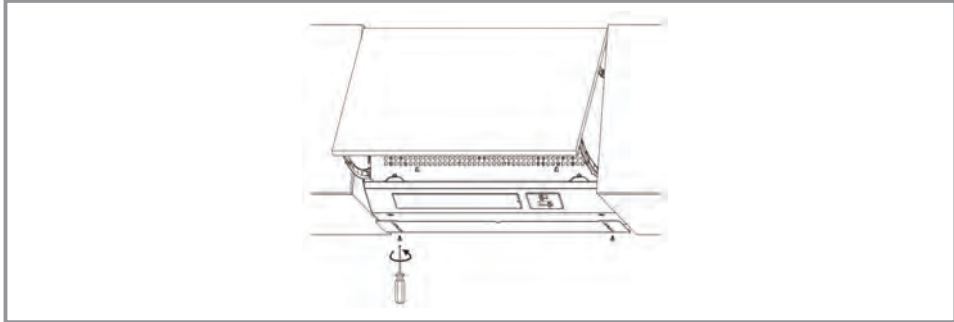
11. Take down the fan-shaped door frames, then fix the left and right fan-shaped door frames with the connected plate by 4pcs ST3.5*8mm countersunk self-tapping screws. See pic below. Fix the fan-shaped door frames on the door with screws. Make sure the frames are symmetrical. Install the door into the cooker hood, the two sides of the door can be pulled to the end and the door can be safely locked. If the door cannot be safely locked, you can release the plastic handle.



12. The two screws on both sides of the cooker hood can adjust the sliding of the door, according to the weight of the door.



13. Install the adjusting plate, in order to cover the gap between the wall and the bottom of the cooker hood.



WARNING:



For safety reason, please use only the same size of fixing or mounting screws which are recommended in this instruction manual.
Failure to install the screws or fixing device in accordance with these instructions may result in electrical hazards.

Start Using Your Cooker Hood

Toggle switch

To operate: pull up the front panel, turn on the cooker hood, and then choose the fan speed setting.

To turn the unit off, there are two options:

1. Turn off the fan with the slide switch.
2. Push down the front panel (with the fan still switched on). This will turn the hood off, and when the cooker hood is next opened, the fan speed will be the same as the last time it was operate.
3. Whether the front panel is open or not, or the fan in use or not, the light can be operated independently.

How to use the control panel: (Diagram above)

There are 3 speeds for the motor and on off switch for the lamp.

Slide the switches for operation.

Motor Operation

0-off

1-Low Power Setting

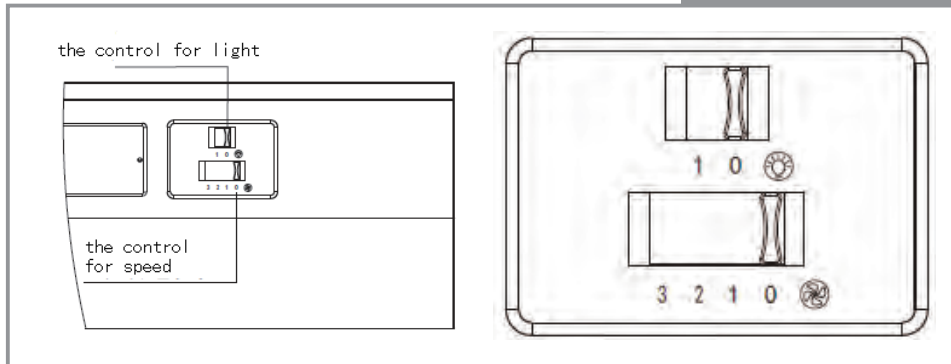
2-Mid Power Setting

3-High Power Setting

Light Operation

0-Off

1-On



Troubleshooting

Fault	Possible Cause	Solution
Light on, but motor does not work	Fan switch turned off	Select a fan switch position.
	Fan switch failed	Contact service center.
	Motor failed	Contact service center.
Light does not work, motor does not work	House fuses blown	Reset/Replace fuses.
	Mains power cable is loose or disconnected	Refit mains power cable to power outlet. Switch power outlet on.
Oil leakage	One way valve and the outlet are not tightly sealed	Take down the one way valve and seal with sealant.
	Leakage from the connection of chimney and cover	Take chimney down and seal.
Lights not working	Broken or faulty bulbs	Replace bulbs as per this instruction.
Insufficient suction	The distance between the cooker hood and the gas top is too far	Refit the cooker hood to the correct distance.
The Cooker hood inclines	The fixing screw is not tight enough	Tighten the hanging screw and make it horizontal.

NOTE:



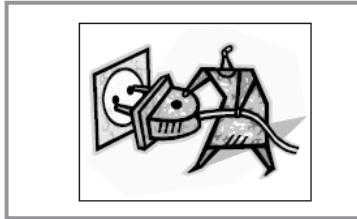
Any electrical repairs to this appliance must conform to your local, state and federal laws. Please contact the service centre if in any doubt before undertaking any of the above. Always disconnect the unit from the power source when opening the unit.

MAINTENANCE AND CLEANING

Caution:

Before maintenance or cleaning is carried out, the cooker hood should be disconnected from the mains power supply. Ensure that the cooker hood is switched off at the wall socket and the plug removed.

External surfaces are susceptible to scratches and abrasions, so please follow the cleaning instructions to ensure the best possible result is achieved without damage.



GENERAL

Cleaning and maintenance should be carried out with the appliance cold especially when cleaning. Avoid leaving alkaline or acid substances (lemon juice, vinegar etc.) on the surfaces.

STAINLESS STEEL

The stainless steel must be cleaned regularly (e.g. weekly) to ensure a long life expectancy. Dry with a clean soft cloth. A specialized stainless steel cleaning fluid may be used.

NOTE:

Ensure that wiping is done along with the grain of the stainless steel to prevent any unsightly crisscross scratching patterns from appearing.

CONTROL PANEL SURFACE

The inlay control panel can be cleaned using warm soapy water. Ensure the cloth is clean and well wrung before cleaning. Use a dry soft cloth to remove any excess moisture left after cleaning.

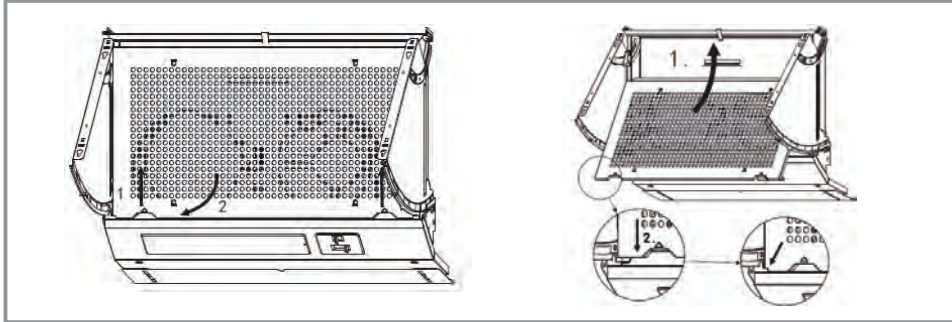
Important

Using neutral detergents and avoid using harsh cleaning chemicals, strong household detergents or products containing abrasives, as this will affect the appearance of the appliance and potentially remove any printing of artwork on the control panel and will void manufactures warrantee.

GREASE MESH FILTERS

The mesh filters can be cleaned by hand. Soak them for about 3 minute in water with a grease-loosening detergent then brush it gently with a soft brush. Please do not apply too much pressure, avoid to damage it. (Leave to dry naturally out of direct sun light)

Filters should be washed separately to crockery and kitchen utensils. It is advisable not to use rinse aid. Remove the filter as shown in the diagrams below:



INSTALLING GREASE MESH FILTERS

To install filters for the following four steps :

- Angle the filter into the slots at the back of the hood.
- Push the button on the handle of the filter.
- Release the handle once the filter fits into a resting position.
- Repeat to install all filters.

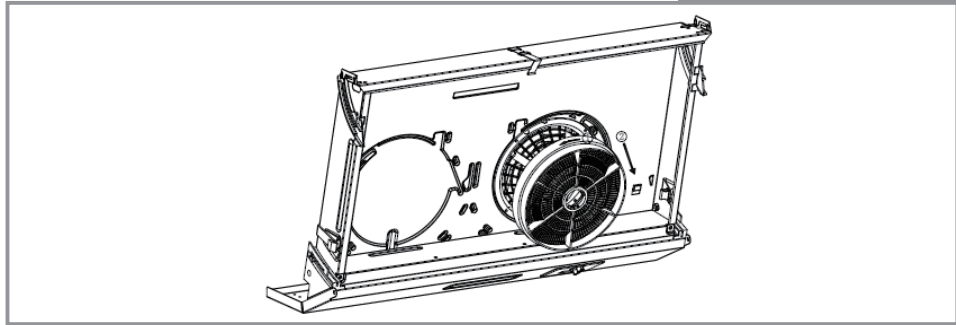
CARBON FILTER

Activated carbon filter can be used to trap odors. Normally the activated carbon filter should be changed at three or six months according to your cooking habit. The installation procedure of activated carbon filter is as below.

Replacing carbon filter-not supplied in the package

Activated carbon filter can be used to trap odors. Normally the activated carbon filter should be changed every 3 to 6 months according to your cooking habits. The installation procedure of activated carbon filter is as below:

1. Before installing or replacing the carbon filters, disconnect the mains power to the unit.
2. Press the filter lock and remove the mesh filter.
3. Turn the carbon filter on both sides of the motor anti-clockwise. Replace the carbon filters with the new carbon filters.
4. Place the mesh filter.
5. Connect the power supply to the wall socket.



NOTE:

Make sure the filter is securely locked. Otherwise, it would loosen and cause danger. When activated carbon filter attached, the suction power will be lowered.

BULB REPLACEMENT

Important :



The bulb must be replaced by the manufacturer, its service agent or similarly qualified persons.

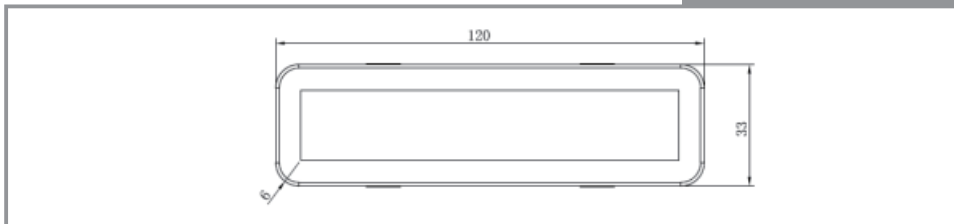
Always switch off the electricity supply before carrying out any operations on the appliance. When handling bulb, make sure it has completely cooled down before any direct contact with hands.

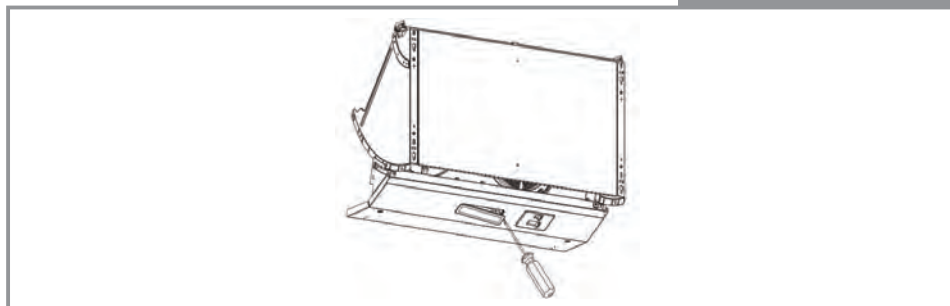
When handling bulbs hold with a cloth or gloves to ensure perspiration does not come in contact with the bulb as this can reduce the life of the bulb.

Switch off the appliance and make sure it's disconnected from the mains supply.

You should use a suitable screwdriver to prize up one end of the light and take it out for replacement.

- ILCOS D code for this lamp is: DBS-2/65-H-120/33
- LED modules –rectangle lamp
- Max wattage: 1×2 W
- Voltage range: AC 220-240V
- Dimensions:





ENVIRONMENTAL PROTECTION:



This product is marked with the symbol on the selective sorting of waste electronic equipment. This means that this product must not be disposed of with household waste but must be supported by a system of selective collection in accordance with Directive 2012/19/EU. It will then be recycled or dismantled to minimize impacts on the environment, electrical and electronic products are potentially dangerous for the environment and human health due to the presence of hazardous substances. For more information, please contact your local or regional authorities.

NOTE:

The following shows how to reduce total environmental impact (e.g. energy use) of the cooking process).

- (1) Install the cooker hood in a proper place where there is efficient ventilation.
- (2) Clean the cooker hood regularly so as not to block the airway.
- (3) Remember to switch off the cooker hood light after cooking.
- (4) Remember to switch off the cooker hood after cooking.

INFORMATION FOR DISMANTLING

Do not dismantle the appliance in a way which is not shown in the user manual. The appliance could not be dismantled by user. At the end of life, the appliance should not be disposed of with household waste. Check with your Local Authority or retainer for recycling advice.

Energy Efficiency Information

Attribute	Symbol	Value	Units
Model identification		PRCH551	
Annual Energy Consumption	AEC_{Hood}	60.6	kWh
Time increase factor	f	1.6	
Fluid Dynamic Efficiency	FDE_{Hood}	9.8	
Energy Efficiency Index	EI_{Hood}	84.0	
Measured airflow at Best Efficiency Point	Q_{BEP}	207.0	m ³ /h
Measured Pressure at Best Efficiency Point	P_{BEP}	172	Pa
Maximum airflow	Q_{MAX}	413	m ³ /h
Measured electric power at Best Efficiency Point	W_{BEP}	101.2	W
Nominal lighting power	WL	2.0	W
Average illumination of the lighting system on the cooking surface	E_{Middle}	96.6	Lux
Measured power consumption instandby	P_s	--	W
Measured power consumption off mode	P_o	0	W
Sound power level	L_{WA}	73	dB(A)
Grease Filter Efficiency	GFE_{Hood}	43.5(G)	%
Lamp Efficiency	LE_{Hood}	48(A)	%

E & O E. All instructions, dimensions and illustrations are provided for guidance only. PRIMA reserve the right to change specifications without prior notice.



prima

Help and assistance

If you require any technical guidance or find it is not operating as intended, a simple solution can often be found in the Troubleshooting section of these instructions or online at www.primaappliancecare.com.uk

If you still require further assistance, call one of our experts on 0344 576 6841. To help give you a fast and efficient service please have the following information ready:

Model Ref:

Serial Number:

Date of Purchase:

Contact:

www.primaappliancecare.com.uk

Helpline: 0344 576 6841



prima

