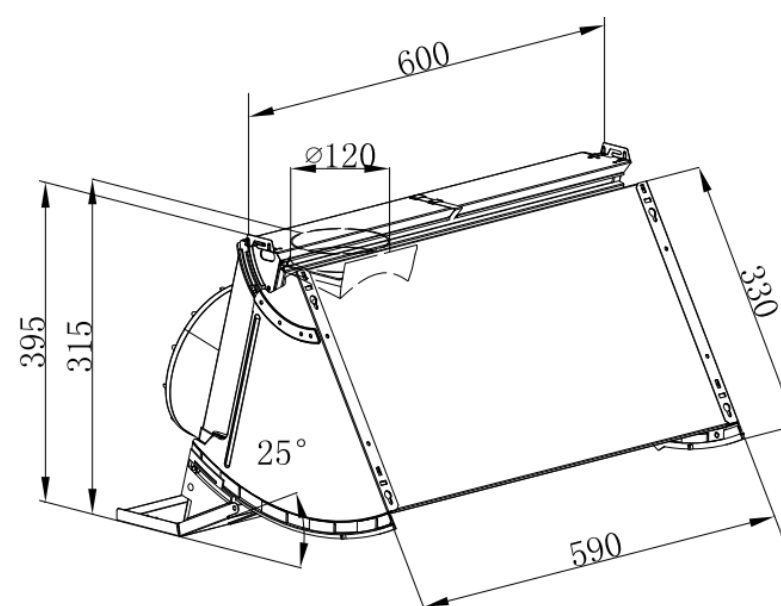


Product Data Sheet



Prima Code	PRCH551
Description	Integrated Hood
Nominal Size	60cm
Colour	Grey
Controls	Slider Control
Speed Settings	3
EAN Code	5054913552168
Extraction Rate (m3/hr) - Speed 1	247
Extraction Rate (m3/hr) - Speed 2	296
Extraction Rate (m3/hr) - Speed 3	369
Free Airflow (m3/hr) - Speed 1	267
Free Airflow (m3/hr) - Speed 2	321
Free Airflow (m3/hr) - Speed 3	413
Noise Level dBA - Speed 1	67
Noise Level dBA - Speed 2	69
Noise Level dBA - Speed 3	73
Grease Filters	Acrylic
Required Height over Gas Hob (mm)	650
Required Height over Electric Hob (mm)	650
Lights	1 x 2W LED
Energy Class	C
Power Supply	3A
Total Rated Power Consumption	122W, 2 X 60w Motors
Product Height (mm)	395
Product Width (mm)	600
Product Depth (mm)	282
Outlet Diameter	120mm
Carbon Filters (Optional)	PRF019
Ducting Kit (Optional)	PRDK001
Warranty	5 Year parts & 2 year labour