



Installation and Operating Instructions

Doc M shower seat with legs



Doc M shower seat with legs

SB-085

Doc M shower seats with legs, black pads and polished frame

SB-085/BL

Available colours: DARK BLUE (DB). GREY (GY). BLACK (BL).

Congratulations on the purchase of your wall mounted folding shower seat. This Doc M shower seat has been designed for use in public building facilities to give users extra support in the shower. It provides support and assists with the independent sitting of persons while washing, regardless of physical ability.

Warnings:

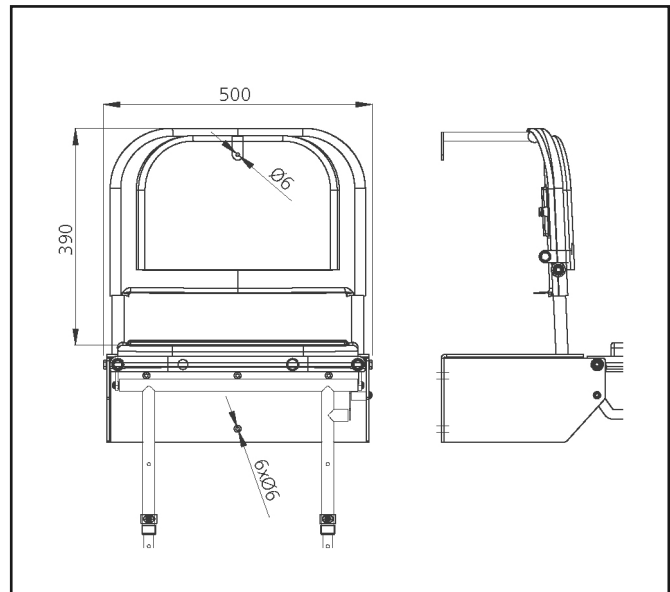
- On receiving delivery of this product, a thorough check must be carried out and any defects immediately reported. The product must be stored in a dry place and not stacked under other equipment.
- Installation must be carried out by a qualified tradesman using suitable fixings for the wall substrate.
- Non corrosive fixings should be used to fit this product.
- The wall on which the shower seat is installed must be flat and capable of taking the load.
- Improper installation/use can cause accidents and injuries.
- After installation a functional test must be carried out prior to use.
- Ensure no part of the body is under the seat before folding it down.
- Do not use the shower seat for any purpose other than that for which it was designed.
- This seat has been tested with a static load of 250kg on the seat.
- To maintain the integrity and functionality of this product, regular cleaning and inspection is necessary.
- These instructions should be retained by the user of the product for its whole life.

Installation and Operating Instructions

Installation:

Installation should be carried out by a suitably qualified tradesman using correct fixings for the floor substrate. Fixings are not supplied with this product to allow the correct fixing method to be selected per installation. Consult a fixing manufacturer if unsure of which type of fixings to use.

1. Once the correct wall fixings have been selected, 6x 6mm fixings should be used. Seats with a backrest have 1 x extra seat 6mm diameter hole at the top centre of the backrest frame. The backrest will need to be slid up and unclipped off the frame to access this fixing hole.
2. Offer seat up to the wall at the height required and adjust the leg heights so that the seat is horizontal. Check the seat is level and both legs are at the same e-clip height adjustment. Fine levelling adjustment can be made using the threaded foot.
3. Mark the fixing hole locations.
4. Drill holes in the wall of a diameter and depth recommended by supplier of wall fixings. Make sure the legs are in a vertical position before fixing the seat into position.
5. Always carry out a functional test after installation and report any issues immediately.
6. Please leave these instructions with the user.



Using this product:

ALWAYS check the seat is fitted securely to the wall and shows no signs of wear or damage prior to use. The seat folds down from the wall by gently pulling out the leg frame before pulling the top of the seat to lower to horizontal position (as per frame label instruction). To fold the seat up against the wall, carefully lift the seat up towards the wall until it reaches the vertical position back against the wall or backrest. To ensure the seat stays in the vertical position when not in use, push the leg frame cross bar back as far as possible. Please keep these instructions in a safe place for future use. These instructions are available in braille if required.

Cleaning and maintenance:

This shower seat must be checked regularly by a qualified personnel to ensure that it is in perfect working order. This shower seat can be cleaned using only a very mild detergent. Do not use acidic, alkaline, chlorine based or abrasive cleaning materials. If the seat has a pad it is recommended that this is removed regularly for thorough cleaning.

Packaging:

This post is supplied in plastic wrapping and cardboard carton to keep the product unsoiled until installation. Both are suitable for recycling operations and should be disposed of in accordance with local recycling regulations.

Warranty:

The standard of manufacture and quality control allows Nymas to offer warranties on all products. The W symbol denotes the number of years covered if different to the standard 1 year warranty. Where L appears this means the product is guaranteed for life (terms and conditions apply).

Disclaimer:

Nymas pursues a policy of continuing improvement in design and performance of its products and so reserves the right to change specifications without prior notice. The information contained on this document was correct at date of issue and dimensions are provided as a guide only. Some variation may occur due to manufacturing tolerances.

We accept no liability whatsoever for personal injury or damage to property that is or has been caused due to incorrect assembly, installation, or use of this product. Failure to install / use this product in line with these instructions will invalidate any warranty and may affect product safety.

Check out our full range of Bathroom Accessories

Bathroom Accessory Sets

Heated Towel Rails

Bathroom Extractor Fans

Bathroom Lighting

Shower Seats

Grab Rails

Shower Curtains

Toilet Brushes

Bathroom Cleaning Products

Wall Mounted Bathroom Accessories

Robe Hooks

Bathroom Tumblers

Toilet Roll Holders

Soap Dishes

Towel Rings

Shower Caddies

Bathroom Mirrors

Standard Bathroom Mirrors

LED Bathroom Mirrors

Shaving Mirrors

plumbworld
Big brands, small prices.