

Product code: 260015/**

Description: Toilet seat, ring only, plastic, stainless steel pillar hinge

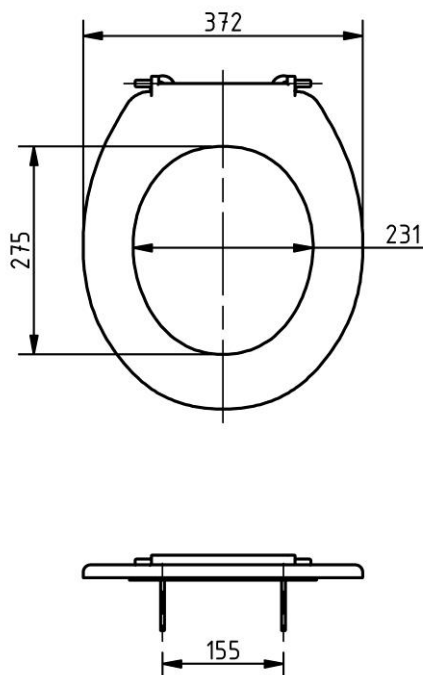
Product details:

Material: Plastic, stainless steel

- Features:**
- Warm touch plastic
 - Stainless steel hinge



Product dimensions: (mm)



Finish options:

Standard finishes:



Dark blue
RAL 5011



Dark grey
RAL 7016



Grey
RAL 7005



White
RAL 9016

Disclaimer:

NYMAS makes every effort to ensure that the information provided on this data sheet is correct. However, we cannot guarantee this, and accept no liability for any information or advice given on this data sheet.