

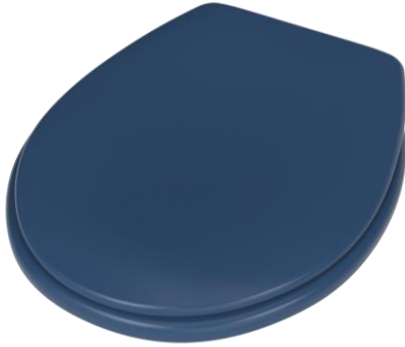
**Product code:** 260016/\*\*

**Description:** Toilet seat with stainless steel hinge and lid

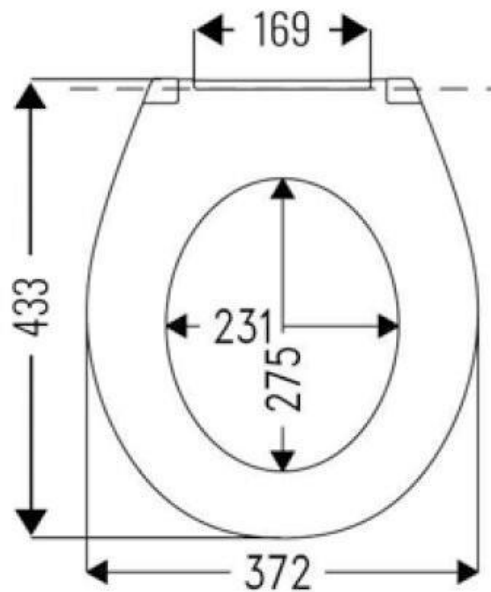
## Product details:

**Material:** Duroplast

- Features:**
- Ergonomically designed
  - Naturally anti-bacterial and strong
  - Stainless steel hinge
  - Adjustable stays to hold seat in place
  - Fits close coupled, low level, back to wall and wall hung pans
  - Includes lid



## Product dimensions: (mm)



**Height:** Rim Buffer contact points to top of lid – 48mm (in situ height may vary due to pan style)

## Finish options:

### Standard finishes:



Dark blue  
RAL 5011



White  
RAL 9016

## Disclaimer:

NYMAS makes every effort to ensure that the information provided on this data sheet is correct. However, we cannot guarantee this, and accept no liability for any information or advice given on this data sheet.