

N 70, BUILT-IN FRIDGE, 177.2 X 55.8 CM, FLAT HINGE  
K1813FEOG



The Built-In fridge keeps food fresher for longer and offers lots of extra space for bottles and all kinds of groceries.

- ✓ Fresh Safe 2 – Ideal storage for fruit and veg.
- ✓ Fresh Safe – Fridge drawer for dedicated fresh fruit and veg storage.
- ✓ Easy Access Shelf – Slides out for easier access to items in your fridge.
- ✓ Vario Shelf – The glass shelf that can be divided, with one half stored beneath the other, for flexible configurations.
- ✓ Adjustable Glass Shelves – Height adjustable shelves create the space you need for inspiring dishes in your fridge

### Features

#### Technical Data

Energy Efficiency Class <sup>1</sup> : .....	E
Average annual energy consumption in kilowatt hour per year (kWh/a): .....	115 kWh/a
Sum of volume of frozen compartments: .....	0 l
Sum of volume of chill compartments: .....	319 l
Airborne acoustical noise emissions : .....	37 dB(A) re 1pW
Airborne acoustical noise emission class: .....	C
Built-in / Free-standing: .....	Built-in
Door panel options: .....	Not possible
Height: .....	1772 mm
Width of the appliance: .....	558 mm
Depth: .....	545 mm
Required niche size for installation (HxWxD): ...	1775x560x550 mm
Net weight: .....	62.2 kg
Connection Rating: .....	90 W
Fuse protection: .....	13 A
Door hinge: .....	Right reversible
Voltage: .....	220-240 V
Frequency: .....	50 Hz
Length electrical supply cord: .....	230 cm
Number of compressors: .....	1
Number of independent cooling systems: .....	1
Interior ventilator: .....	Yes
Reversible Door Hinge: .....	Yes
Number of Adjustable Shelves in fridge compartment: .....	5
Shelves for Bottles: .....	No
EAN code: .....	4242004251545
Brand: .....	Neff
Product name / Commercial code: .....	K1813FEOG
Product category: .....	Refrigerator
Frost free system: .....	N/A
Installation typology: .....	Full-integrated



<sup>1</sup> Scale of Energy Efficiency Classes from A to G

N 70, BUILT-IN FRIDGE, 177.2 X 55.8 CM, FLAT  
HINGE  
K1813FEOG

## Features

### Design features

- Automatic defrost fridge
- Touchcontrol- Electronic - LED Electronic control
- Right hinged door, reversible

### Freshness System

- FreshSense - constant temperature by intelligent sensor technology
- Constant temperature control by intelligent sensor technology

### Key features - Fridge section

- 1 FreshSafe 2 drawer on telescopic rails; High humidity retains nutrients up to twice as long.
- 1 FreshSafe drawer on rails - The ideal place to store your fruit and vegetables safely.
- Bright interior LED fridge light
- Super Cooling: automatic deactivation
- 7 safety glass shelves (5 height adjustable)
- 6 door trays, including 1x dairy compartment
- BottleFlex Shelf
- bottle holder in door tray

### Functions

- Acoustic door open warning indicator

### Dimension and installation

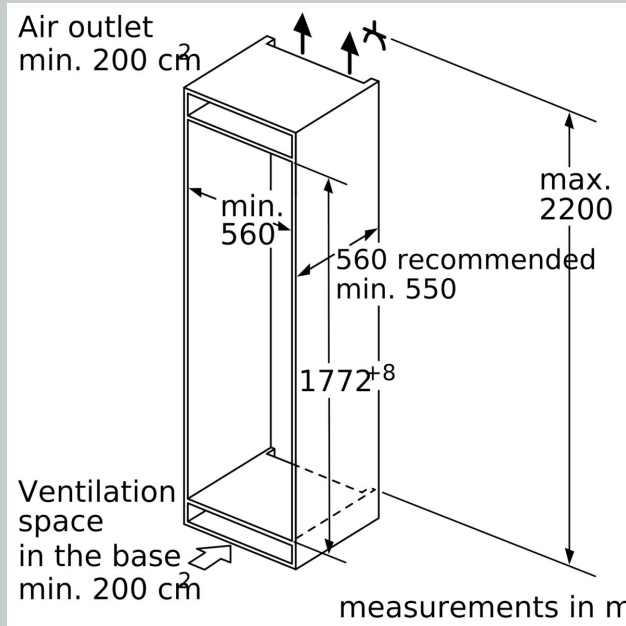
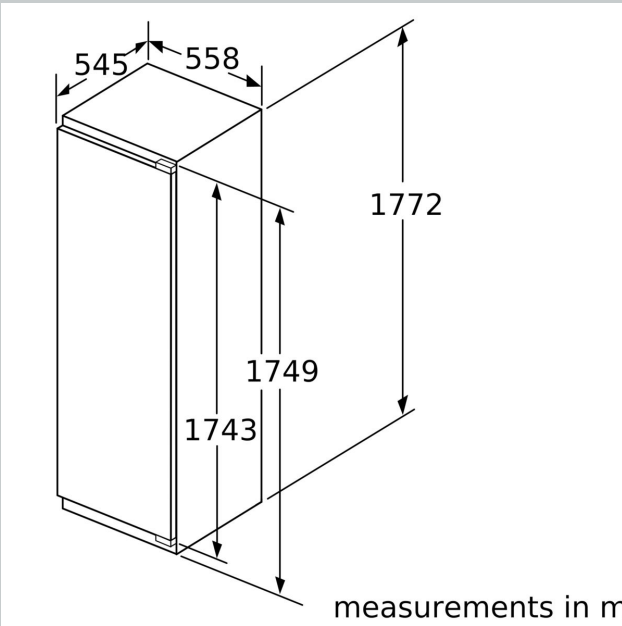
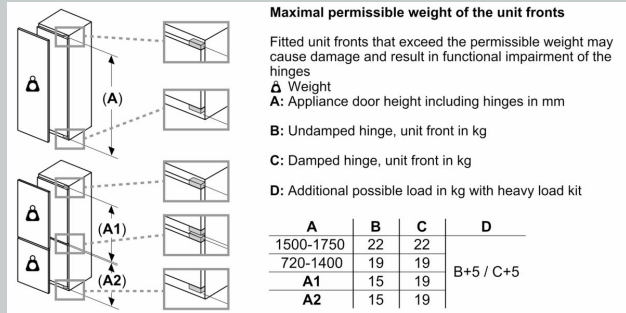
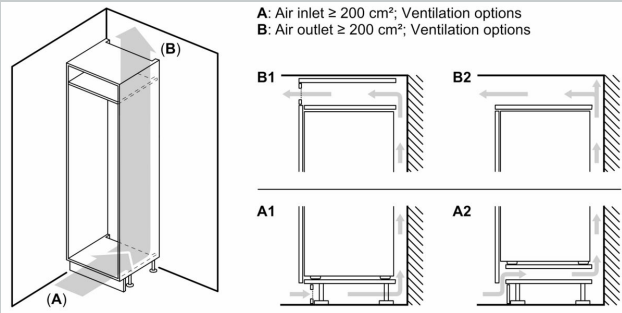
- Easy Installation
- Connection value 90 W
- Dimensions: 177.2 cm H x 55.8 cm W x 54.5 cm D
- Niche Dimensions: 177.5 cm H x 56 cm W x 55 cm D
- Based on the results of the standard 24-hour test. Actual consumption depends on usage/position of the appliance.

### Performance and Consumption

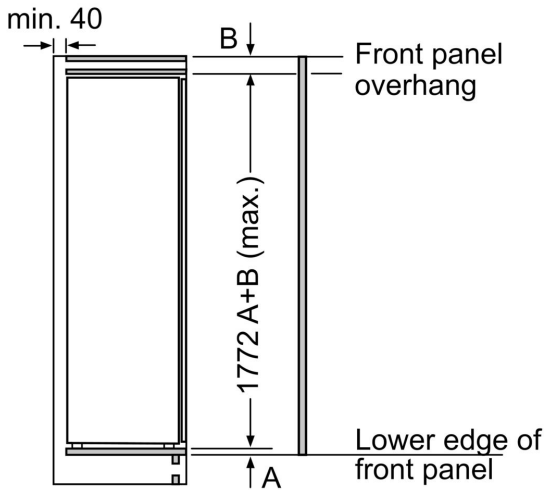
- EU19\_EEK\_D: E
- Total Volume : 319 l
- Net Fridge Volume : 319 l
- Net Freezer Volume : 0 l
- Annual Energy Consumption: 115 kWh/a
- Climate Class: SN-ST
- Noise Level : 37 dB , EU19\_Noise emission class\_D: C

N 70, BUILT-IN FRIDGE, 177.2 X 55.8 CM, FLAT HINGE  
K1813FEOG

Dimensioned drawings

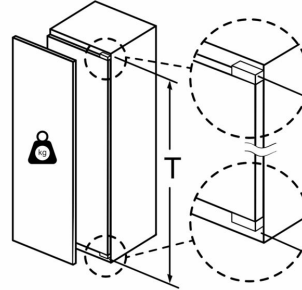


Dimensioned drawings



measurements in mm

Maximal permissible weight of the unit fronts

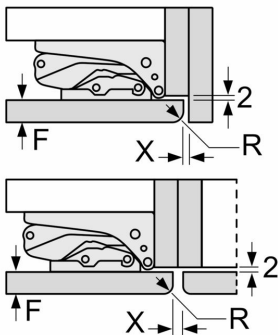


Fitted kitchen unit doors that exceed the permissible weight may cause damage and result in functional impairment of the hinges.

T: Includes height of appliance door Hinges in mm:	undamped hinge, Door in kg:	damped hinge, Door in kg:
1500-1750	22	22

measurements in mm

Recommended gap dimensions for flat hinges



F	R	X
16-19	0-3	2.5
20	0-1	3
	2-3	2.5
21	0-1	3
	2-3	2.5
22	0	4
	1	3.5
	2-3	3

The gap dimensions recommended in the table must be adhered to in order to ensure that appliance doors do not collide with anything when they are opened, and to avoid causing damage to kitchen units.