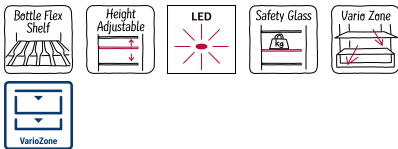


N 50, BUILT-IN FRIDGE WITH FREEZER SECTION,
177.2 X 54.1 CM, FLAT HINGE
KI2822FE0G



The built-in fridge with spacious **** freezer compartment with Fresh Safe drawer for fruit and vegetables and plenty of flexible storage options.

- ✓ Bottle Flex Shelf – A bottle holder and shelf in one.
- ✓ Adjustable Glass Shelves – Height adjustable shelves create the space you need for inspiring dishes in your fridge
- ✓ LED Light – Pleasant illumination for the entire fridge, with long-life LEDs.
- ✓ Our safety glass shelves happily shoulder generous loads of delicacies in your fridge
- ✓ Vario Zone – Personalise your drawers with various loading options to find the perfect fit.

Features

Technical Data

Energy Efficiency Class ¹ :E
Average annual energy consumption in kilowatt hour per year (kWh/a): 177 kWh/a
Sum of volume of frozen compartments: 34 l
Sum of volume of chill compartments:246 l
Airborne acoustical noise emissions : 35 dB(A) re 1pW
Airborne acoustical noise emission class: B
Built-in / Free-standing: Built-in
Door panel options: Not possible
Height: 1772 mm
Width of the appliance: 541 mm
Depth: 548 mm
Required niche size for installation (HxWxD):	...1775x560x550 mm
Net weight: 56.0 kg
Fuse protection:10 A
Door hinge:Right reversible
Voltage: 220-240 V
Frequency: 50 Hz
Length electrical supply cord: 230 cm
Number of compressors:1
Number of independent cooling systems: 1
Interior ventilator: Yes
Reversible Door Hinge: Yes
Number of Adjustable Shelves in fridge compartment: 4
Shelves for Bottles: No
EAN code:4242004272014
Brand:Neff
Product name / Commercial code: KI2822FE0G
Product category:Refrigerator
Frost free system:N/A
Installation typology: Full-integrated
Included accessories: 1 x ice cube tray, 1 x Heavy-duty hinge support

Included accessories

1 x ice cube tray, 1 x Heavy-duty hinge support

Optional accessories

KSGG0MZ0 Butter box



¹ Scale of Energy Efficiency Classes from A to G

N 50, BUILT-IN FRIDGE WITH FREEZER SECTION,
177.2 X 54.1 CM, FLAT HINGE
K12822FEOG

Features

Performance and Consumption

- EU19_EEK_D: E
- Total Volume : 280 l
- Annual Energy Consumption: 177 kWh/a
- EU19_Fast freezer facility_D
- Noise Level : 35 dB , EU19_Noise emission class_D: B

Functions

- Bright interior LED fridge light in fridge section

Design features

- Electronic control (LED chain)
- Single cooling circuit
- Super Cooling: automatic deactivation
- optical and acoustical

Design features

- Net Fridge Volume : 246 l
- 5 safety glass shelves of which 4 are height adjustable
- Door shelves in fridge door: 2 large and 3 small.

Freshness System

- 2 vegetable/salad containers

Food freshness system

- Net Freezer Volume : 34 l
- Freezing capacity 24h : 2.5 kg
- Temperature rise time : EU19_Temperature rise time_D: 18 H
- 1 hinged freezer compartment

Dimension and installation

- Dimensions: 177.2 cm H x 54.1 cm W x 54.8 cm D

Key features - Fridge section

- Right hinged door, reversible
- 220 - 240 V
- Length of power cord: 230 cm
- Climate Class: SN-ST

Key features - Freezer section

- Heavy-duty hinge support, 1 x ice cube tray

Country Specific Options

- Based on the results of the standard 24-hour test. Actual consumption depends on usage/position of the appliance.

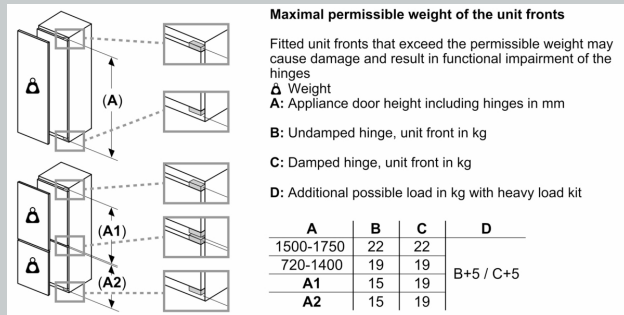
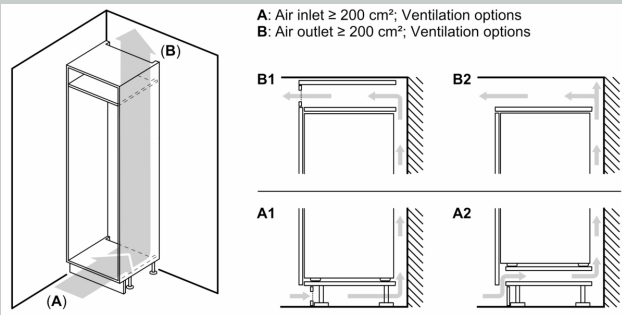
Design features

Dimension and installation

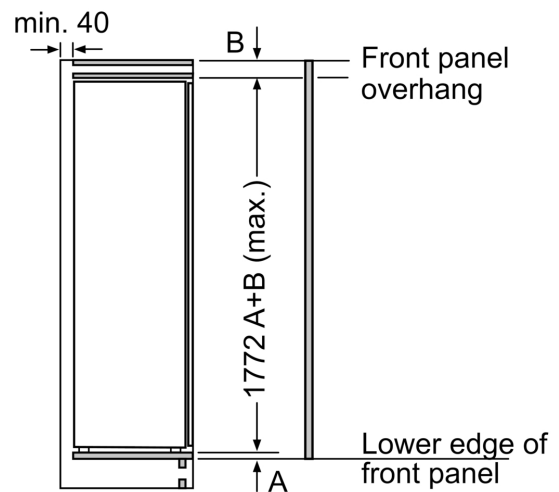
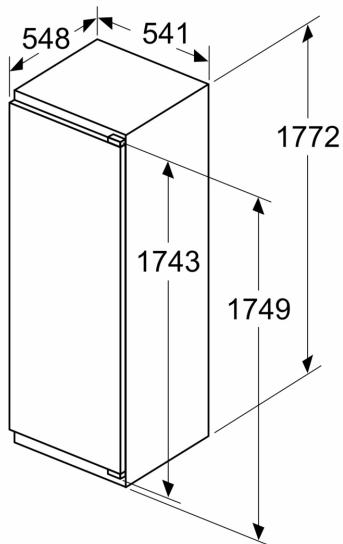
Additional features

N 50, BUILT-IN FRIDGE WITH FREEZER SECTION,
177.2 X 54.1 CM, FLAT HINGE
K12822FE0G

Dimensioned drawings

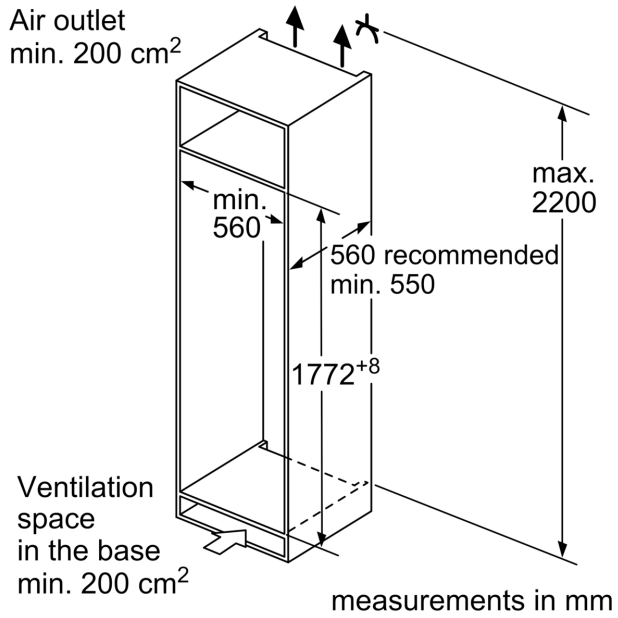


Measurements in mm

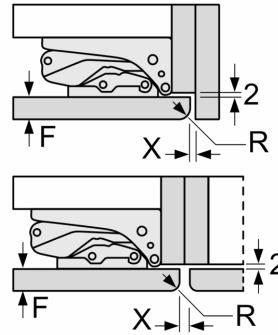


measurements in mm

Dimensioned drawings



measurements in mm
Recommended gap dimensions for flat hinges



F	R	X
16-19	0-3	2.5
20	0-1	3
	2-3	2.5
21	0-1	3
	2-3	2.5
22	0	4
	1	3.5
	2-3	3

The gap dimensions recommended in the table must be adhered to in order to ensure that appliance doors do not collide with anything when they are opened, and to avoid causing damage to kitchen units.