

Multirail Straight Towel Hanger Instructions

* Must be fitted **before** towel rail is fitted on the wall

* Must be fitted by a fully qualified installer

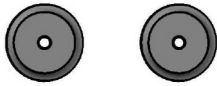
BOX CONTENTS



Towel Hanger (a) x 1



Back Bracket (c) x 2



Front Bracket (b) x 2

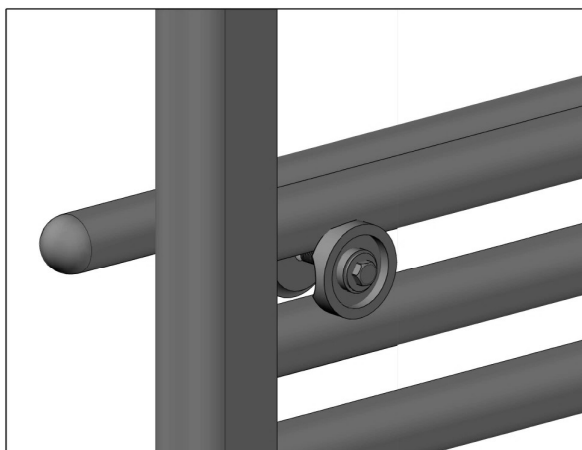
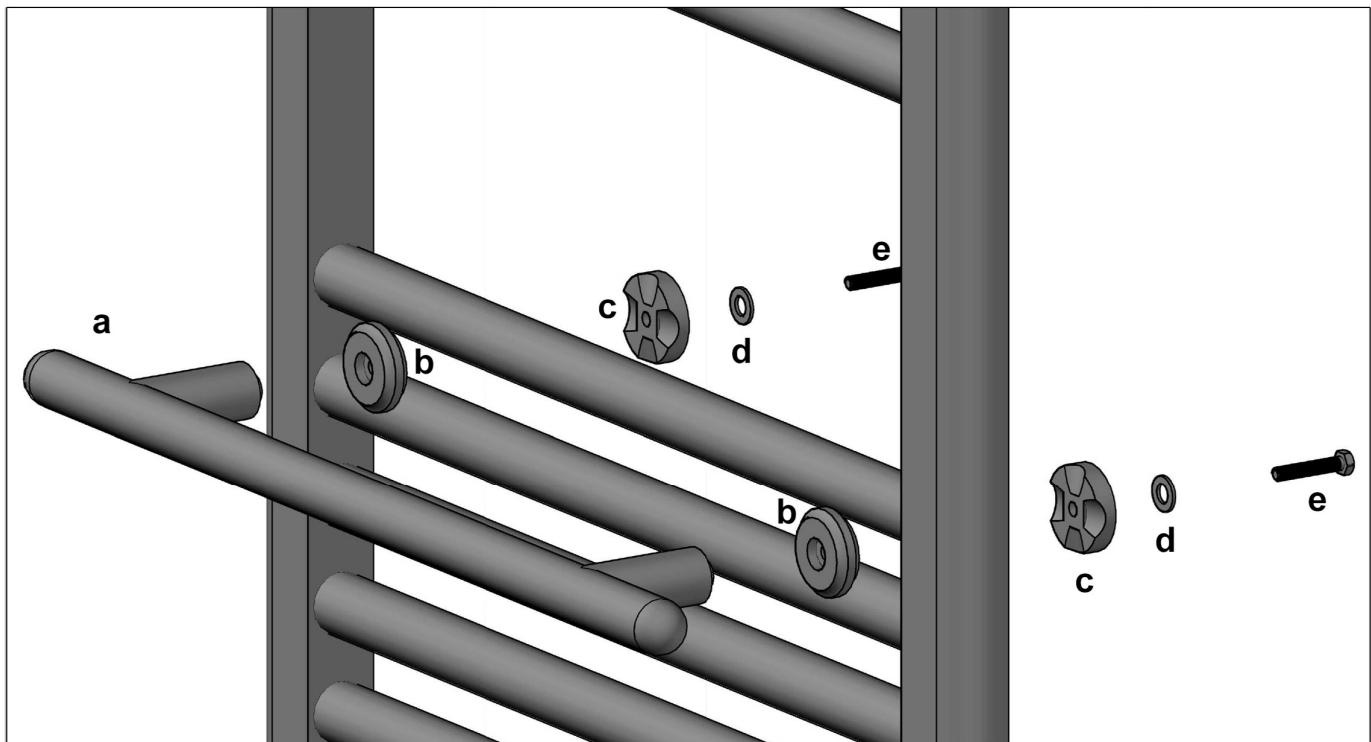


Washer (d) x 2



Screw (e) x 2

Please locate the box contents as shown in the below diagram.



* Rear view after installation