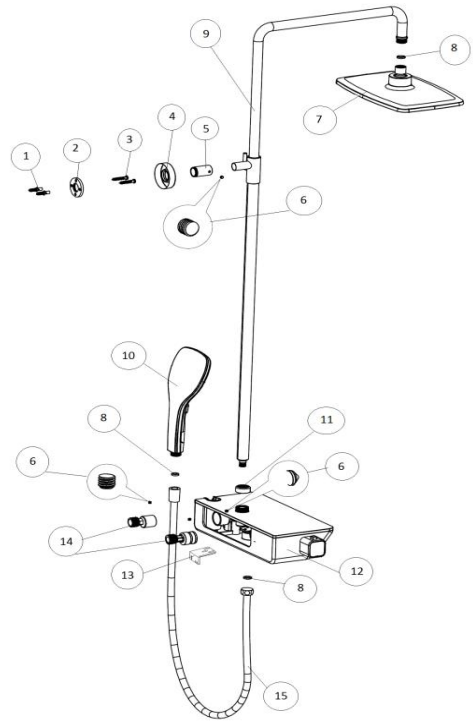


# SK008 - THERMOSTATIC SHOWER KIT

- 1 - WALL PLUGS
- 2 - ROUND FIXING PLATE
- 3 - SCREWS
- 4 - COVER PLATE
- 5 - POLE JOINT BRACKET
- 6 - GRUB SCREW (FOR RETAINING PUSH FIT CONNECTORS)
- 7 - FIXED HEAD
- 8 - "O" RING
- 9 - RISER POLE
- 10 - HANDSET
- 11 - BUSH
- 12 - THERMOSTATIC MIXING VALVE
- 13 - WALL FIXING BRACKET
- 14 - PUSH FIT CONNECTORS
- 15 - SHOWER HOSE



**\*\*PLEASE NOTE: TO ACCESS FITTINGS, THE TOP COVER MUST BE REMOVED.\*\***

## **INTRODUCTION:**

Your shower kit is a thermostatic dual mixer shower which has the option of over head shower & handset shower option. The bar shower valve is a thermostatic mixer which incorporates a thermo- regulating cartridge to assure users of consistent showering temperatures. The valve has been designed & manufactured to comply with BS EN 1287:1999 & BS EN 1111:1999, and is suitable for High pressure shower use (HP-S)

## **INSTALLATION:**

This mixer should be installed in compliance with Water Supply (Water Fittings) Regulations 1999. If further information is required, please contact your local Water Company.

This shower is suitable for use with the following systems:

- Gravity fed Hot & Cold (equal pressures) minimum working pressure 0.5 Bar (5 metre working head) to achieve this you require 5 metre between the water outlet on your tank to the shower fixed head.
- Unvented Systems.
- Gas Combination Boiler.

Conditions of use:

|   | High Pressure                    | Medium Pressure                  |
|---|----------------------------------|----------------------------------|
| Maximum Static Pressure - Bar             | 5                                | 0.5                              |
| Flow Pressure, Hot & Cold - Bar           | 0.5 - 5                          | 0.5 - 1                          |
| Hot Supply Temperature - Degrees Celsius  | 55 to 65                         | 55 to 65                         |
| Cold Supply Temperature - Degrees Celsius | Equal to or less than 25 Degrees | Equal to or less than 25 Degrees |

## **Installation Guide:**

- 1: Determine the correct position and orientation for the shower valve (No12) (150mm pipe centres) and push the cranked connectors (No14) into the appropriate water supplies, and retain in position using grub screws. Finish with a ½" BSP female adaptor (not supplied). The installation of the shower must be with hot inlet on the left and cold inlet on the right.
- 2: Fix the wall bracket (No13) to housing bracket within the valve body, Place valve into desired position and mark accordingly.
- 3: Tighten nuts onto cranked connectors (No14). This Shower valve is clip mounted, it needs to be connected and supported by rigid pipe work as well as the wall bracket. Before connecting the mixer, water must be flushed through the pipes to remove any debris.
- 4: Mount the Bush (No11) onto the riser from the bottom.
- 5: Mount the adjustable riser rail (No9) onto the thread situated on top of the shower valve (No12) and tighten the grub screw (No6) at the bottom of the adjustable riser, connecting the adjustable riser to the shower valve. Screw Bush (No11) into place.
- 6: Fasten the Pole joint bracket (No5) to the round fixing plate (No2). Determine the correct position, and mark accordingly. Fasten to wall using Wall Plugs (No1) and screws (No3) provided.
- 7: Slide Cover plate (No4) over pole joint bracket (No5). Fix riser (No9) into position using grub screw (No6) found on top of the pole joint bracket (No5).
- 8: Ensure the "O" ring (No8) is placed inside the Fixed head (No7) then mount to the male thread, which sits at the end of the riser pole (No9)
- 9: Insert the "O" ring (No8) into the nut at the end of the flexible hose (No15). Tighten nut to the male thread located at the bottom of the Thermostatic shower valve (No12).
- 10: Insert the "O" ring (No8) into the nut at the end of the flexible hose nut (No15). Tighten the handset (No10) to the flexible hose nut (No15).
- 11: Water test.

## **Check out our full range of Showers**

Electric Showers

Digital Showers

Mixer Showers

Power Showers

Smart Showers

Shower Towers

## **From Top Shower Brands**

Mira Showers

Aqualisa Showers

Triton Showers

Gainsborough Showers

## **Shower Pumps can upgrade your showering experience even more**

Stuart Turner Shower Pumps

Salamander Shower Pumps

Grundfos Shower Pumps

**plumbworld**  
**Big brands, small prices.**