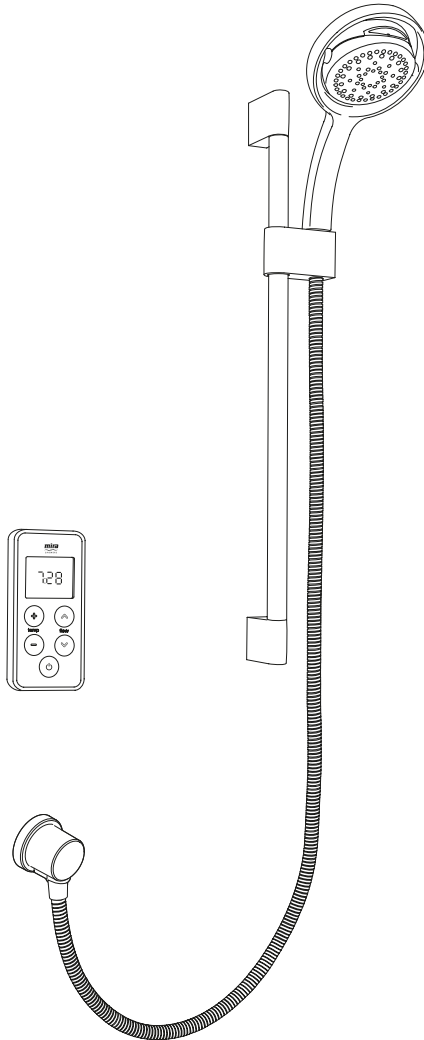


# Mira Vision



These instructions must be left with the user

Installation Guide

*Showering perfection*

**mira**  
SHOWERS

# CONTENTS

|   |    |
|---|----|
| Introduction.....   | 3  |
| Products Covered by this Guide.....                           | 3  |
| Guarantee .....   | 3  |
| Patents and Design Registration.....                          | 3  |
| Safety Information .....                                      | 4  |
| Pack Contents .....   | 6  |
| Specifications .....  | 9  |
| Standards and Approvals .....                                 | 9  |
| Dimensions.....   | 11 |
| Installation .....  | 12 |
| General Information.....                                      | 12 |
| Important Information Regarding Radio Controlled Devices..... | 12 |
| Use of Flow Regulators with Combination Boilers .....         | 14 |
| Installation Schematic .....                                  | 18 |
| Position and Signal Test.....                                 | 20 |
| Shower Fittings - Ceiling Fed .....                           | 23 |
| Shower Fittings - Rear Fed .....                              | 26 |
| Wireless Controller .....                                     | 31 |
| Commissioning.....  | 32 |
| Connecting a Second Wireless Controller.....                  | 34 |
| Re-Registering .....  | 35 |
| Fault Diagnosis.....  | 36 |
| Maintenance.....  | 44 |
| Spare Parts .....   | 45 |
| Disposal and Recycling .....                                  | 48 |
| Customer Service.....   | 52 |

If you experience any difficulty with the installation or operation of your new shower, then please refer to the **Fault Diagnosis** section, before contacting **Kohler Mira Ltd.**  
Our telephone and fax numbers can be found in the back of this guide.

# INTRODUCTION

Thank you for purchasing a quality Mira product. To enjoy the full potential of your new product, please take time to read this guide thoroughly. Having done so, keep it handy for future reference.

The Mira Vision Mixer Valve is designed to be used with the Mira Vision showerhead and fittings.

## Products Covered by this Guide

Mira Vision Digital Mixer - High Pressure/Combi Valve

Mira Vision Digital Mixer - Pumped Valve.

Mira Vision Wireless Controller.

Mira 360 Fittings (Ceiling Fed or Rear Fed).

## Guarantee

This product has been designed for domestic use only, it is not recommended for Commercial or Healthcare use.

For domestic installations, Kohler Mira Limited, guarantee this product against any defect in materials or workmanship for a period of five years from the date of purchase (shower fittings for one year).

| Recommended Usage |   |
|-------------------|---|
| Domestic          | ✓ |
| Light Commercial  | ✗ |
| Heavy Commercial  | ✗ |
| Healthcare        | ✗ |

## Patents and Design Registration

|                            |   |
|----------------------------|---|
| <b>Design Registration</b> | 001295935   |
| <b>Patents</b>             | GB: 2 421 297<br>USA: 7 669 776   |
| <b>Patent Applications</b> | WO: 2009/022112<br>EUROPE: 2 227 647<br>USA: US-2010 - 0282 326 - A1<br>CHINA: CNI01918743A<br>INDIA: 1306/MUMNP/2010 |

# SAFETY INFORMATION

Products manufactured by Kohler Mira Ltd are designed to be safe, provided that they are installed, used and maintained in good working order, in accordance with our instructions and recommendations. Follow all warnings, cautions and instructions contained in this guide, and on, or inside the product. **Failure to follow the instructions provided with this product will invalidate the guarantee.**

## **WARNING! TO REDUCE THE RISK OF FIRE, ELECTRIC SHOCK OR INJURY:**

1. Installation of this product must be carried out in accordance with these instructions by qualified, competent personnel. **Read all instructions before commencing installation.**
2. The electrical installation must comply with BS 7671 (commonly referred to as the IEE Wiring Regulations) and all relevant building regulations, or any particular regulation or practice specified by the local electricity supply company.
3. The plumbing installation must comply with all national or local water regulations and all relevant building regulations, or any particular regulation or practice specified by the local water supply company.
4. Isolate the electrical and water supplies before commencing installation. Mains connections are exposed when the valve module cover is removed.
5. The valve module must be earthed, ensure supplementary bonding is provided in accordance with the wiring regulations.
6. This product must be permanently connected to a 3A fused connection unit and be provided with means for disconnection incorporated in the fixed wiring in accordance with the wiring regulations.
7. We strongly recommend that a 30mA RCD is included in the electrical supply to this product.
8. **DO NOT** install this product, user interface or the remote on/off control in areas with high humidity and temperature (i.e. steam rooms and saunas).
9. **DO NOT** install this product or fittings where they may be exposed to freezing conditions. Ensure that any pipework that could become frozen is properly insulated.
10. **DO NOT** perform any unspecified modifications, drill or cut holes in the product other than instructed by this guide. When servicing only use genuine Kohler Mira replacement parts.
11. If the product is dismantled during installation or servicing then, upon completion, an inspection must be made to ensure all
12. **DO NOT** operate the product if water is leaking from inside the valve module. Isolate electrical and water supplies to the product and refer to the fault diagnosis section.

13. **DO NOT** apply power to the product if it is thought to have been exposed to freezing conditions. Isolate electrical and water supplies to the product and contact Kohler Mira Ltd.
14. Make sure that you fully understand how to operate the product and make sure that it is properly maintained in accordance with the instructions given in this manual.
15. This product can be used by children aged from 8 years and above and persons with reduced physical, sensory or mental capabilities or lack of experience and knowledge if they have been given supervision or instruction concerning the use of the product in a safe way and understand the hazards involved.
16. **DO NOT** allow children to play with the product.
17. **DO NOT** allow children to clean or perform any user maintenance without supervision.
18. Always check the water temperature is safe before bathing or showering.
19. When installing the product to be used as a bath filler ensure the flow rate of the bath overflow fitted exceeds the flow rate output from the product.
20. **DO NOT** remotely operate or alter any of this products shower and bathing settings if it is already occupied and / or being used by another person.

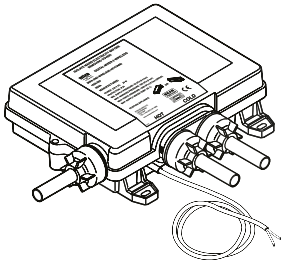
# PACK CONTENTS

Tick the appropriate boxes to familiarise yourself with the part names and to confirm that the parts are included.

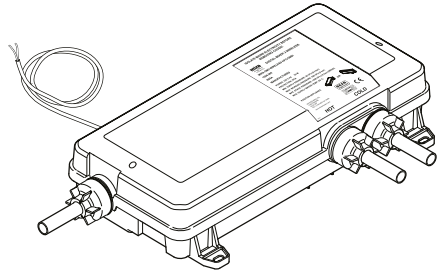
## Documentation

- 1 x Wireless Controller User Guide
- 1 x Showerhead User Guide
- 1 x Customer Support Brochure

## Digital Mixer Valve

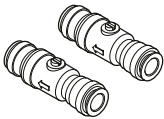


OR



Digital Mixer -  
High Pressure/Combi Valve

Digital Mixer - Pumped Valve



2 x Push-Fit Isolators



3 x Fixing Screws



1 x Outlet Connector



3 x Wall Plugs

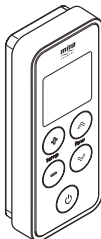
## Wireless Controller



1 x Wall Plate



1 x Battery Cover



1 x Wireless  
Controller



2 x Fixing Screws

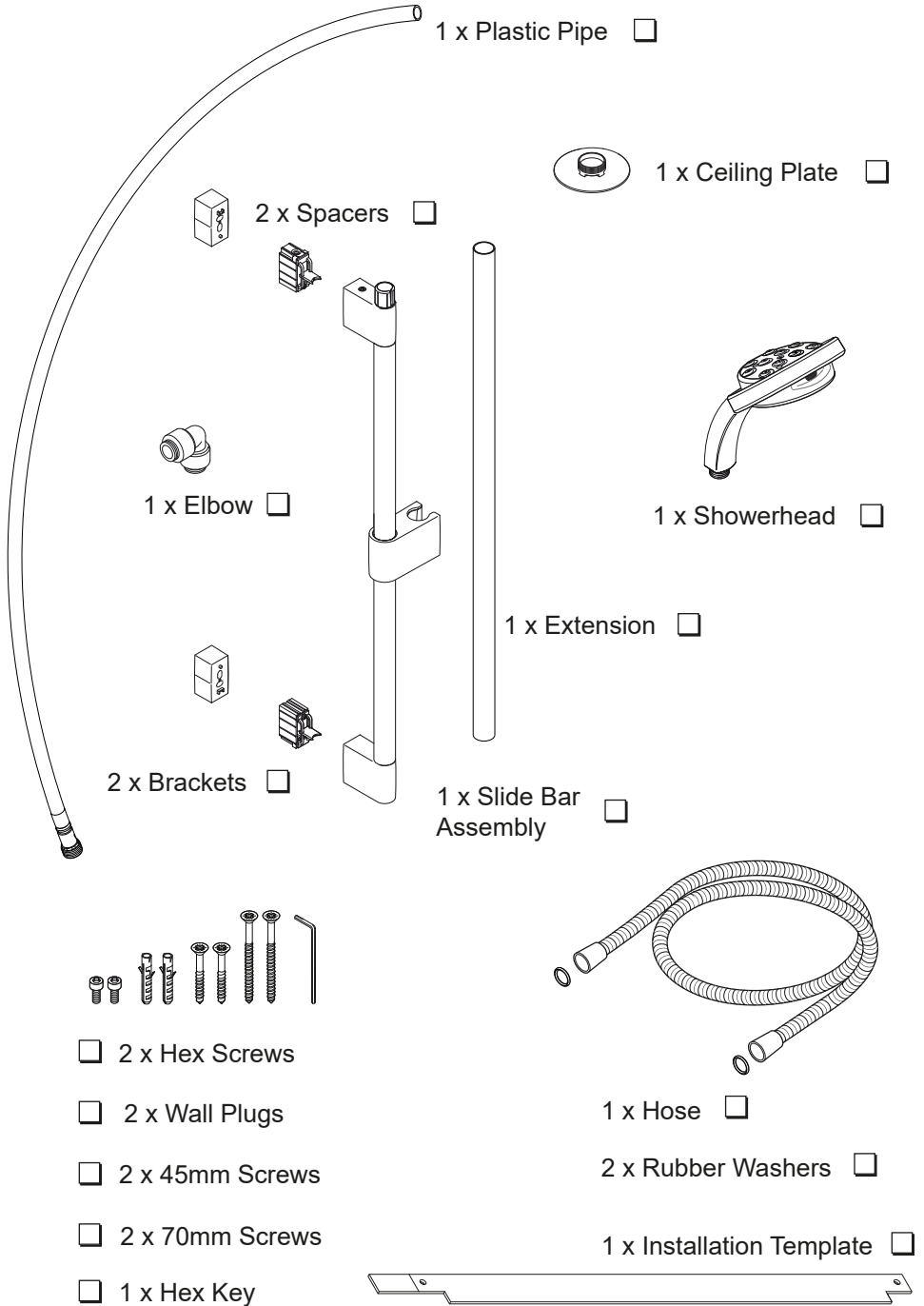


2 x Wall Plugs

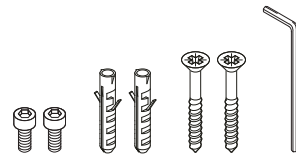
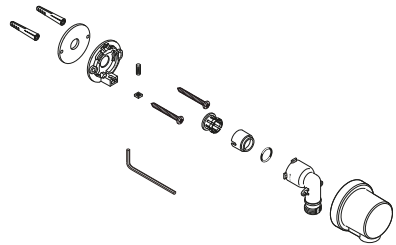
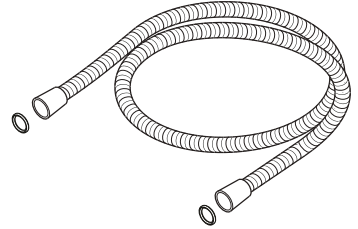
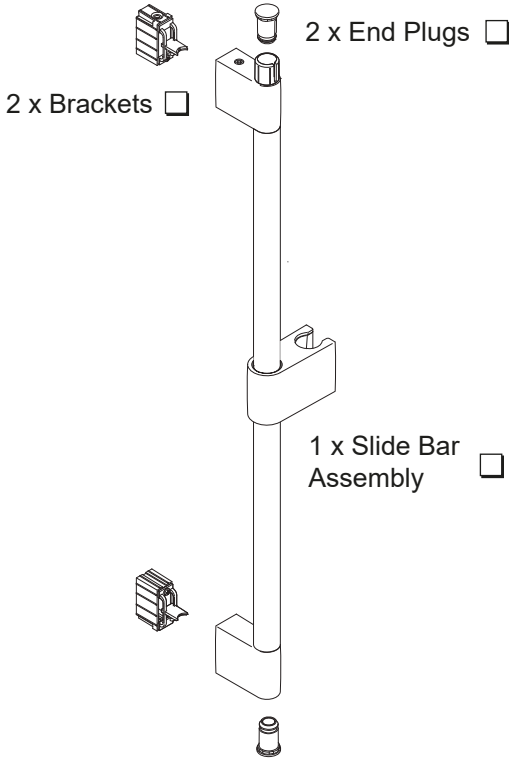


3 x AA Batteries

# Ceiling Fed Fittings



# Rear Fed Fittings



- 2 x Hex Screws
- 2 x Wall Plugs
- 2 x 45mm Screws
- 1 x Hex Key

- 1 x Installation Template





# SPECIFICATIONS

## Standards and Approvals

The Mira Vision complies with all relevant directives for CE marking. The Mira Vision is a type 1 electronic, independently mounted control for surface mounting.

The Mira Vision is in compliance with the essential requirements of the R&TTE directive 1999/5/EC. A copy of the declaration of conformity may be obtained by contacting Kohler Mira Limited, U.K customer services department.

## General

|                       |                           |
|-----------------------|---------------------------|
| Pollution Degree      | 2                         |
| Rated Impulse Voltage | 2.5 kV                    |
| Suitable for Drinking | Not Suitable              |
| Connections           | 15 mm Compression/Pushfit |

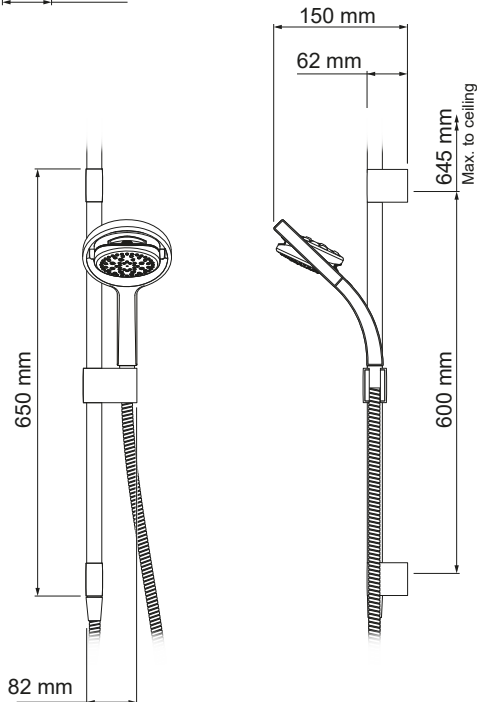
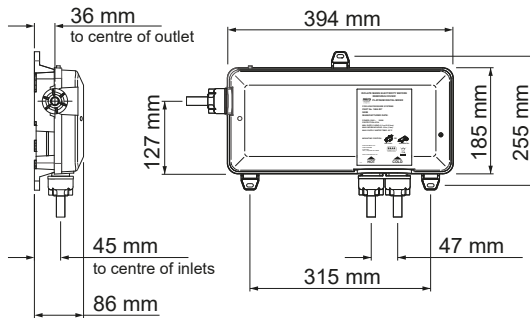
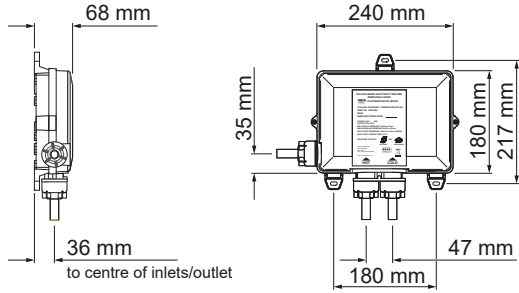
## Mira Digital Mixer Valve High Pressure (Not suitable for Pumped Gravity Systems)

|  |   |
|--|---|
| <b>Pressures</b>   |   |
| Maximum Static Pressure  | 1000 kPa (10 bar) = 100 m max. total head         |
| Maximum Maintained Pressure  | 500 kPa (5 bar) = 50 m max. total head            |
| Minimum Maintained Pressure  | 100 kPa (1.0 bar) = 10 m min. total head          |
| Supply Pressure Differential   | Nominally Equal                                   |
| <b>Temperatures</b>  |   |
| Maximum Temperature (factory preset)   | 45 °C   |
| Maximum Temperature (setting range)  | 35 °C - 48 °C                                     |
| Minimum Temperature  | Thermostatic control down to 30 °C                |
| Hot Water Range  | 55 °C - 65 °C                                     |
| Cold Water Range   | 1 °C - 20 °C                                      |
| Temperature Stability  | ± 1 °C at recommended supply conditions           |
| Ambient Temperature  | 1 °C - 40 °C                                      |
| Maximum Relative Humidity  | 95% non-condensing                                |
| <b>Flow Rates and Times</b>  |   |
| Nominal Flow Rates (will vary depending on inlet maintained pressure and spray mode) | Max @ 1.0 bar = 16l/min<br>Min @ 1.0 bar = 5l/min |
| <b>Electrical</b>  |   |
| Supply Voltage   | 230V AC 50 Hz                                     |
| Maximum Load   | 20 W  |

## Mira Digital Mixer Valve Pumped

| <b>Pressures</b>   |   |
|--|---|
| Maximum Static Pressure  | 100 kPa (1 bar) = 10 m max. total head                          |
| Maximum Maintained Pressure  | 100 kPa (1 bar) = 10 m max. total head                          |
| Minimum Maintained Pressure  | 1 kPa (0.01 bar) = 0.1 m min. total head                        |
| Supply Pressure Differential   | Nominally Equal   |
| <b>Temperatures</b>  |   |
| Maximum Temperature (factory preset)   | 45 °C   |
| Maximum Temperature (settable range)   | 35 °C - 48 °C   |
| Minimum Temperature  | Thermostatic control down to 30 °C<br>Full Cold also selectable |
| Hot Water Range  | 50°C - 65°C   |
| Cold Water Range   | 1°C - 20°C  |
| Temperature Stability  | ± 1°C at recommended supply conditions                          |
| Ambient Temperature  | 1°C - 40°C  |
| Maximum Relative Humidity  | 95% non-condensing at 30 °C                                     |
| <b>Flow Rates and Times</b>  |   |
| Flow Rates (will vary depending on inlet maintained pressure and spray mode) | Max @ 0.01 bar = 16 l/min<br>Min @ 0.01 bar = 6 l/min           |
| <b>Electrical</b>  |   |
| Supply Voltage   | 230V AC 50 Hz   |
| Maximum Load   | 200 W at 230V AC  |

# DIMENSIONS



# INSTALLATION

## General Information

The product may be installed in a loft space, under the bath or in a convenient cupboard space, provided there is enough room for maintenance (e.g. Removal of the product lid). Failure to do so may result in an inability to carry out any maintenance.

**Safe and easy access to the product should be available at all times.**

**When installing the product in an area not regularly accessed, consideration for potential leaks must be taken into account. While such events are unlikely, it is advisable to periodically check the installation for traces of water on or around the product.**

**If possible, site the product in a location where any leak would be contained or routed to avoid areas sensitive to water damage.**

Inlet isolating valves (supplied) must be installed.

We strongly recommend that full bore outlet isolation valves are fitted as close to the product as possible for ease of service and maintenance.

The water supplies to this product must be isolated if the product is not to be used for a long period of time. If the product or pipework is at risk of freezing during this period they should also be drained of water.

## Important Information Regarding Radio Controlled Devices

- Metal objects such as steel baths or sinks, cold water storage tanks, hot water cylinders, foil lined plaster board walls, radiators and even thick brick walls, can all dramatically reduce the radio operational range of any radio controlled product.
- Interference from other radio signals can dramatically reduce the ability of the Vision Wireless Controller / digital mixer to register or communicate. This may include; mobile phones, radio control boiler thermostats, wireless broadband routers, radio control toys, cordless phones, remote outdoor weather stations, wireless doorbells etc.
- If you encounter difficulty registering the wireless controller and digital mixer ensure all other radio interference is temporarily switched off.

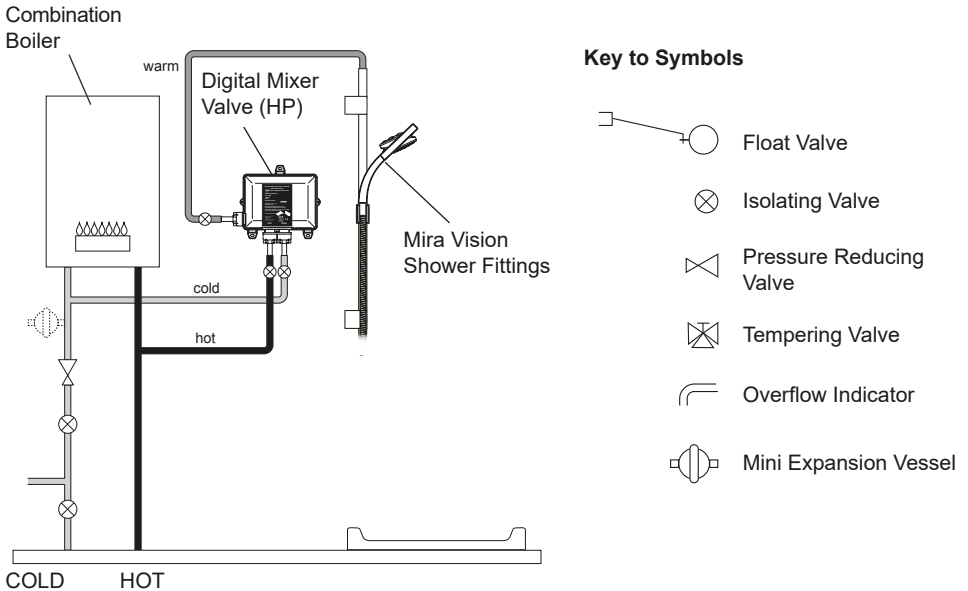
**Note!** Failure to follow these guidelines can result in poor, intermittent or complete failure to communicate with the digital mixer.

**Note!** Both the Wireless Controller and Digital Mixer contain internal radio transmission aerials which are directional in operation. In order to achieve optimum radio signal strength and therefore optimum communication distance It may be necessary to alter the Wireless Controller and Digital Mixer relative orientation / position to each other.

## Typical Suitable Installations:

### 1. Instantaneous Multipoint Water Heaters and Combination Boilers

**Caution! Risk of product damage. Do not fit the Mira Digital Mixer - PUMPED VALVE with Instantaneous Multipoint Water Heaters or Combination Boilers.**



Only install the High Pressure Digital Mixer Valve with a multipoint gas water heater or combination boiler of a **fully modulating design** (i.e. where the water draw-off rate indirectly controls the gas flow rate to the burner).

An expansion vessel **must** be fitted (and regularly maintained) if any form of backflow prevention device is fitted, e.g. Non-return valve or PRV. This will ensure that excess expansion or pulse pressures do not damage the product or plumbing system. The expansion vessel may already be fitted within the boiler (check with the manufacturer) and is in addition to the normally larger central heating expansion vessel.

## Use of Flow Regulators with Combination Boilers

The Mira Digital Mixer Valve can demand hot water quicker than some instantaneous water heaters/combination boilers can provide, especially in winter when the mains water is colder. A Hot inlet flow regulator may need to be used to ensure that the Digital Mixer Valve can deliver a full range of water temperatures.

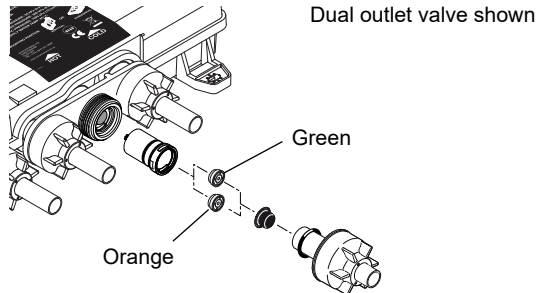
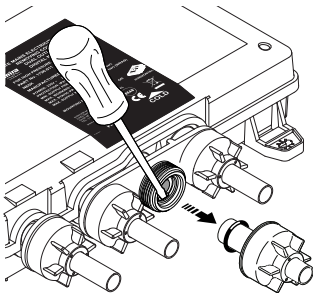
### Note:

The Mira **Single** outlet digital mixing valves are factory fitted with an 8 l/min hot inlet flow regulator. If installing a single outlet digital mixer with a combi boiler rated 36kW or greater or to mains pressurised systems the hot inlet flow regulator should be removed.

### Note:

The Mira **Dual** outlet digital mixing valves do not have a factory fitted hot inlet flow regulator. These are supplied in the component pack. The table indicates which flow regulator should be fitted in the hot water inlet of the Mira Digital Mixer Valve if installing to a combination boiler system.

| Boiler Rating  | 24 kW (80,000 Btu/h) | 30 kW (100,000 Btu/h) | 36 kW (120,000 Btu/h) |
|----------------|----------------------|-----------------------|-----------------------|
| Flow Regulator | 7 litres/min         | 9 litres/min          | Not required          |
| Colour         | White/Green          | White/Orange          | -                     |



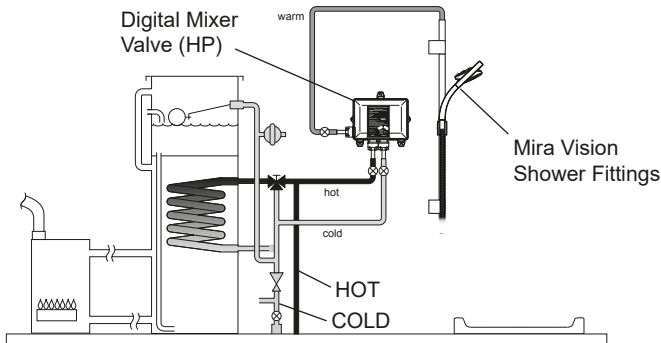
- ▶ Unscrew hot inlet plastic nuts and remove pipe and seal to gain access to the checkvalve cartridge and filter.
- ▶ Use flat blade screwdriver to carefully lever cartridge out.
- ▶ Fit/remove the flow regulator from checkvalve cartridge behind filter as required.
- ▶ Refit seal, pipe and plastic nut. Plastic nuts require hand tightening only.

## Use of Warm-up Feature with Combination Boilers

When using the warm-up feature (see User Guide) with the digital mixer valve supplied via an instantaneous water heater/combination boiler, the user may experience a brief temperature fluctuation. This is caused by the normal operation of a standard instantaneous water heater/combination boiler whereby the boiler will turn off when the flow is stopped (as happens after the warm-up sequence has been completed). Upon restart of the shower, a cold shot will be flushed through followed by a brief hot shot until the hot water supply has stabilised.

## 2. Mains Pressurised Instantaneous Hot Water Shower, Heated from a Thermal Store

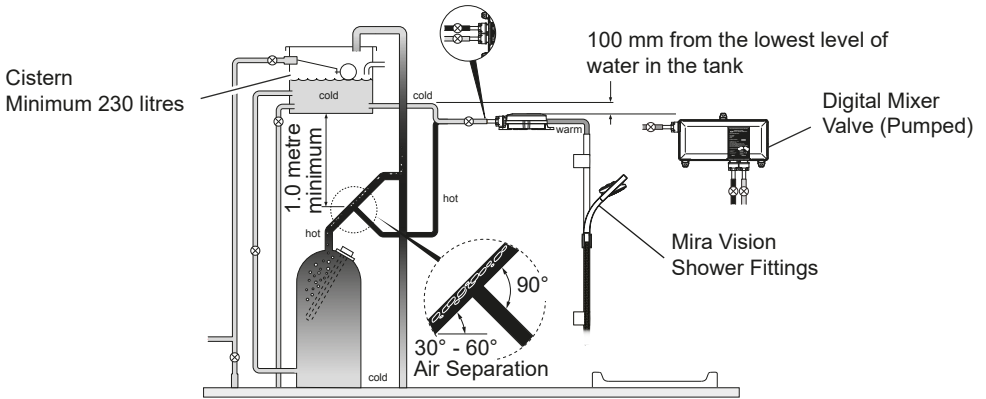
**Caution! Risk of product damage. Do not fit the Mira Digital Mixer - PUMPED VALVE with Mains Pressurised Systems.**



Packages of this type, fitted with a tempering valve can be used. A drop type pressure reducing valve **must** be fitted (and regularly maintained) if any form of backflow prevention device is fitted, e.g. non-return valve, PRV, then an expansion vessel should also be fitted. This will ensure that excess expansion or pulse pressures do not damage the product or the plumbing system. The expansion vessel may already be fitted externally or internally within the thermal store (check with thermal store manufacturer).

### 3. Gravity Fed Showers

**Caution! Risk of product damage. Do not fit the Mira Digital Mixer - HIGH PRESSURE/COMBI VALVE with Gravity Fed Systems.**



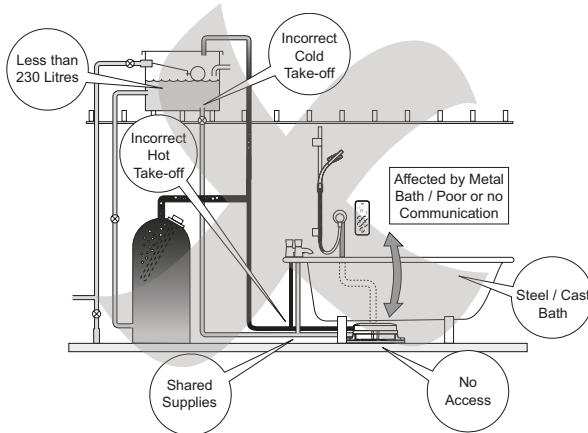
The shower control **must** be fed from a **cold water storage cistern** and a **hot water cylinder** providing nominally equal pressures. Pipework layouts and connections **must** be such that other draw-offs will not effect water supplies to the shower, shared supplies may lead to airlocking or water starvation. It is therefore best practice to have independent hot and cold supplies to the Low Pressure (pumped) Digital Mixer Valve.



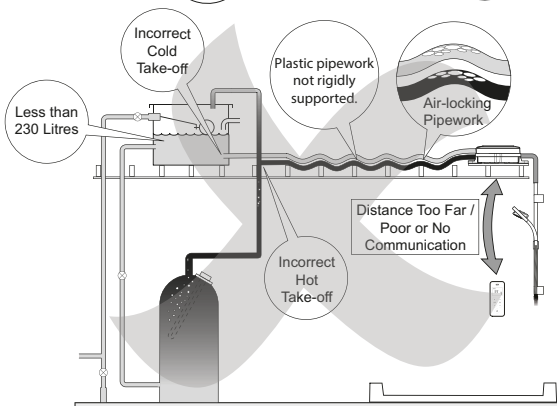
# Typical Examples of Poor Plumbing and Installation Practices

## DO NOT:

- Install the Digital Mixer Valve where it can become frozen
- Install the Digital Mixer Valve where it can be subjected to ambient temperatures in excess of 40°C
- Position the Digital Mixer Valve where maintenance access is poor or unsafe
- Install into a system where the cold water cistern holds less than 230 litres
- Install into a system where air locking could occur
- Install the wireless controller in a position where communication with the Digital Mixer Valve is poor e.g. mixer valve installed under metal bath, in front of metal cistern, on foil backed plasterboard, more than the recommended distance away etc.
- Install the Digital Mixer Valve onto shared water supplies
- Install the Digital Mixer Valve less than 100 mm from the lowest level of water in the cistern (low pressure version only)
- Fit plastic pipework unless rigidly supported
- Install a High Pressure/Combi Valve to a Pumped Gravity System

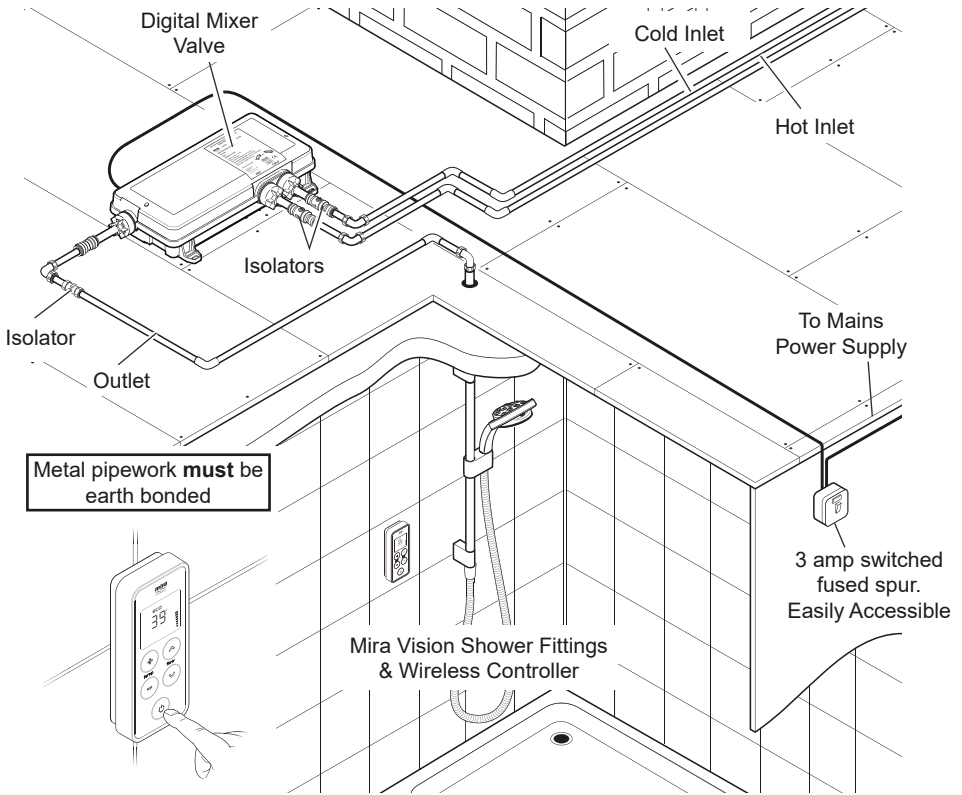


Bath Installation



Shower Installation

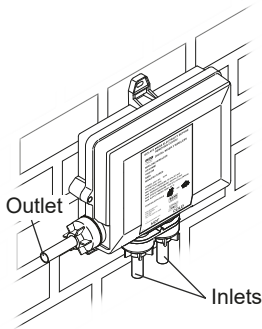
## Installation Schematic



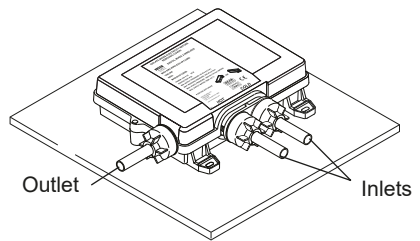
- ▶ A separate, permanently connected supply **must** be taken from the ring main to the appliance through a 3 amp double pole switched fuse spur providing a minimum 3mm contact separation gap in each pole.
- ▶ Ensure the switched fused spur is easily accessible for serviceable and resetting purposes.
- ▶ The use of supply-line or zone strainers will reduce the need to remove debris at the Digital Mixer Valve. The recommended maximum mesh aperture dimension for such strainers is 0.5 mm.
- ▶ Pipework **must** be rigidly supported to avoid any strain on the connections.
- ▶ A 30 mA Residual Current Device (RCD) **must** be included in the electrical circuit. This may be part of the consumer unit or a separate unit.

- ▶ Long inlet pipework (dead-legs) should be kept to a minimum to avoid temperature fluctuations.
- ▶ Supply pipework layout must be arranged to minimize the effect of other outlet usage upon the dynamic pressures at the Digital Mixer Valve inlets.
- ▶ To eliminate pipe debris it is essential that supply pipes are thoroughly flushed through before connection to the Digital Mixer Valve.

## Valve Installation Orientation



Mounting on a Vertical Surface

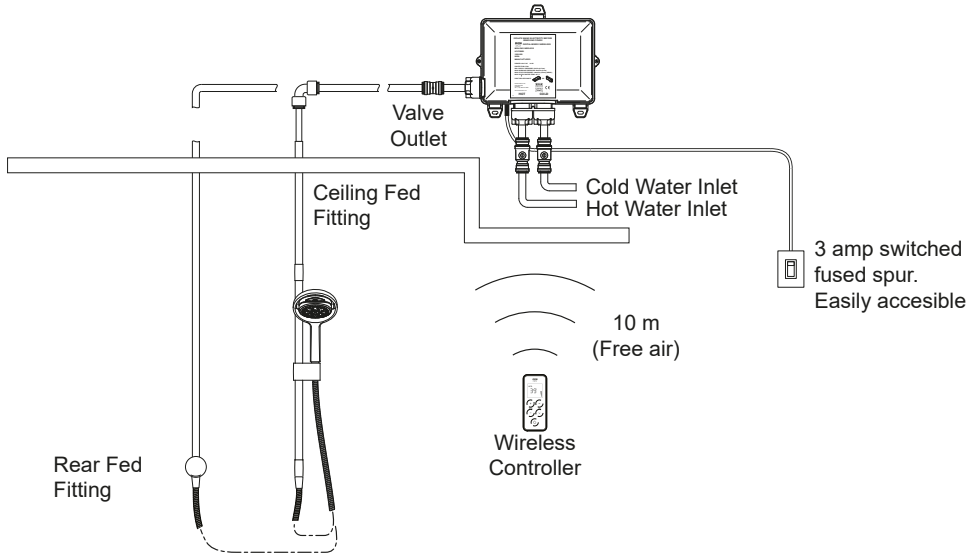


Mounting on a Horizontal Surface

- ▶ The Digital Mixer Valve (which contains the thermostatic mixing valve) may **only** be orientated in the positions shown above when mounted on a vertical or horizontal surface. Failure to do so will compromise the ability of the unit to fail-safe and deliver constant blend.
- ▶ If the power supply cable is damaged, it **must** be replaced by the manufacturer or a service engineer.
- ▶ **Warning! Turn off the electrical and water supplies before proceeding with the installation of the appliance. The electricity must be turned off at the mains and the appropriate circuit fuse electrically isolated, if applicable.**

# Digital Mixer Valve

## Position and Signal Test



**Important!** When choosing a position for the Digital Mixer Valve in relation to the Wireless Controller and the Shower Fittings, consider the following points:

- ▶ The Wireless Controller can be sited up to 10 m (free air) from the Digital Mixer Valve. However, wall thicknesses and construction types may affect the remote signal strength and thereby reduce the range. The Controller range should be tested on site prior to installation to ensure shower's reliability.

Refer to Section - **INSTALLATION "Important Information Regarding Radio Controlled Devices"**.

**Note!** Both the Wireless Controller and Digital Mixer contain internal radio transmission aerials which are directional in operation. In order to achieve optimum radio signal strength and therefore optimum communication distance It may be necessary to alter the Wireless Controller and Digital Mixer relative orientation /position to each other.

- ▶ The length of pipework running from the Digital Mixer Valve to the Shower Fitting will have an effect on the showering temperature and the response time when changing the temperature using the Wireless Controller. The shorter the length of pipework from the Digital Mixer Valve the better the shower will respond. It is recommended that this length does not exceed 5m from the valve outlet to shower fitting.

- ▶ The ambient temperature of Digital Mixer Valve site (loft space, airing cupboard etc...) can have an effect on showering temperature. Insulate all pipework as required, particularly from the Digital Mixer Valve to the Shower Fitting.
- ▶ The temperature indicated on the wireless controller display is measured inside the digital mixing valve and due to site conditions is not necessarily the temperature delivered at the shower outlet.
- ▶ Fit 3 x AA batteries (supplied) into the wireless controller.
- ▶ Depending on the type and version of your wireless controller, the software revision number (eg. r04) may be briefly displayed, the controller will then display its default time of 10:00.



- ▶ Place Wireless Controller in approximate final position (no more than 10 m (free air) from Digital Mixer Valve) and test wireless signal by pressing the “⏻” and adjusting the temperature. If temperature display remains unchanged and “out of range” symbol is displayed, units are unable to communicate with each other.

- ▶ A sluggish response to button presses indicates poor radio communication without the out of range symbol being displayed.

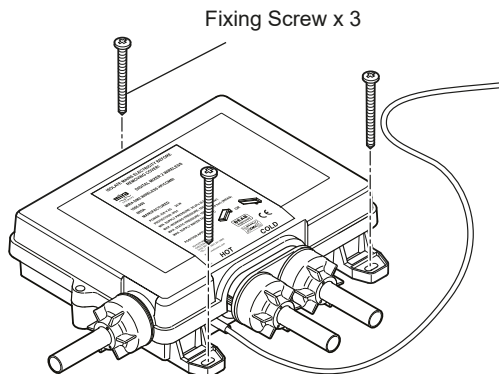
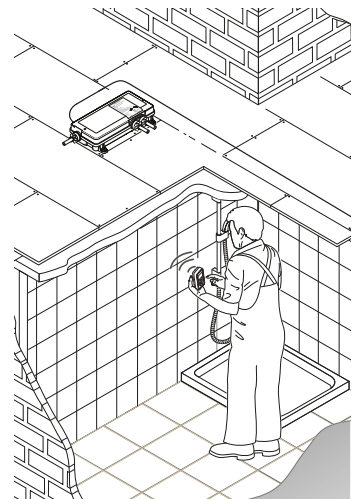
- ▶ If test fails, reposition unit(s) and repeat test until satisfied shower will work reliably.



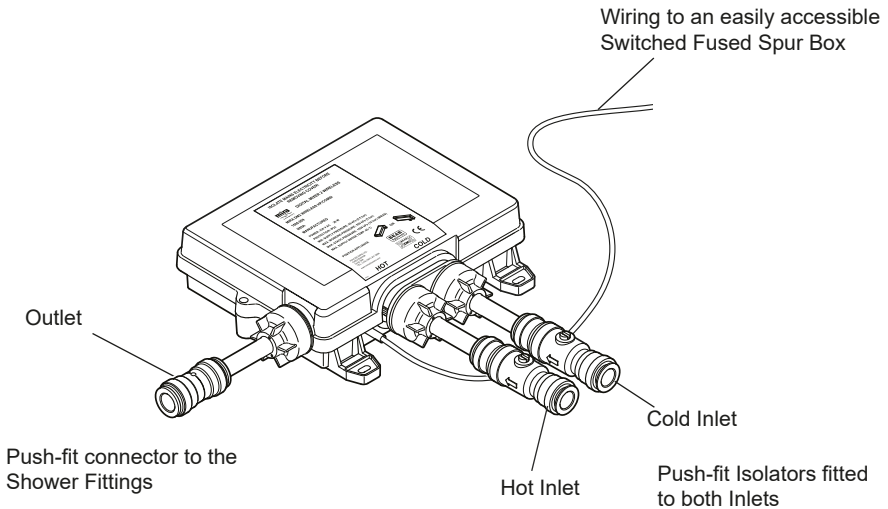
- ▶ **Caution! Risk of product damage. Do not run Pumped Valve (low pressure version) without a water supply for longer than 5 minutes during test.**

- ▶ Isolate electrical supply to Digital Mixer Valve.

- ▶ Mark the fixing holes in the required positions.



- ▶ Drill and plug the fixing holes.
- ▶ **Note!** Installers may wish to use alternative cavity fixings, when installing onto a dry lined, stud partition, shower cubicle or laminated panel wall structures. However, these methods of fixing are beyond the scope of this guide.
- ▶ Secure the Digital Mixer Valve in position with the fixing screws (supplied).
- ▶ **Caution! Risk of product damage. Make sure both hot and cold supply pipes are flushed thoroughly prior to connection to the Digital Mixer Valve. Any product malfunction caused by pipework debris is not covered under the guarantee.**
- ▶ Connect the hot and cold water supply pipes to the Digital Mixer Valve as indicated on the product lid.



- ▶ Install the Shower Fittings and Wireless Controller (see further instructions).

## Shower Fittings - Ceiling Fed

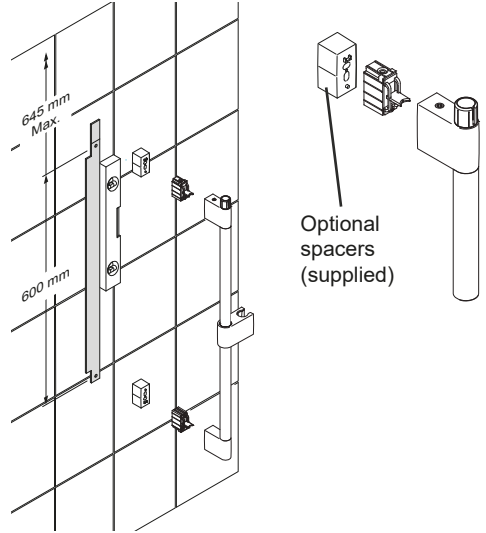
Suitable for solid, dry-lined, stud partition, shower cubicle or laminated panel walls.

The Slide Bar should be fixed to the wall at a convenient height for all the family. It should be positioned so that water sprays down the centre of the bath, or away from the opening of a shower cubicle. Water should spray away from the Wireless Controller when the Showerhead is held on the Slide Bar.

- ▶ Decide on suitable position for Slide Bar avoiding buried cables and pipes in both wall and ceiling. Make sure slide bar extension will fit through ceiling. Ceiling hole centre can be altered to avoid roof joists by using supplied spacers.

- ▶ Using template as guide, mark positions of the fixing holes for Wall Brackets (600 mm). Upper hole to be no more than 645 mm from ceiling.

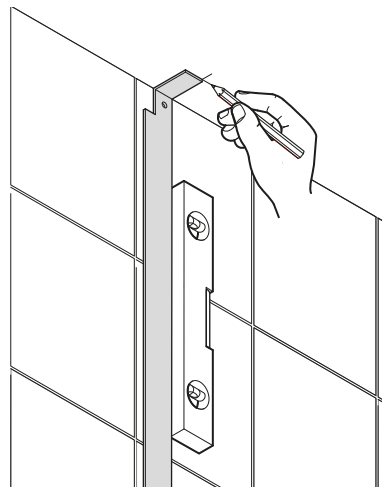
**Note!** Use spirit level to make sure fixing holes are vertical.



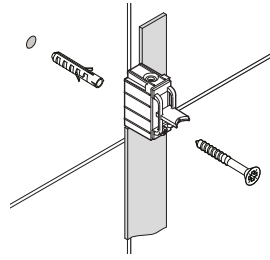
- ▶ Fold long end of template and move up to ceiling. Using upper marked fixing hole as guide, mark centre for hole in ceiling.

- ▶ **Important!** If supplied Slide Bar spacers are required, centre distance for hole will increase to 75 mm from wall.

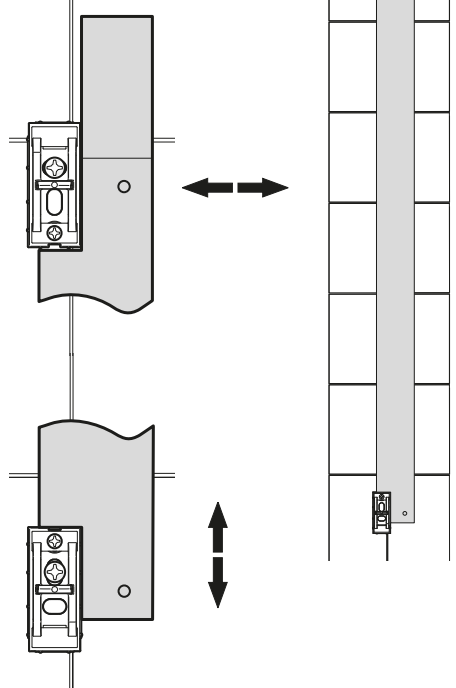
- ▶ Cut hole in ceiling 29 mm diameter.



- ▶ Drill and plug Slide Bar Assembly fixing holes.



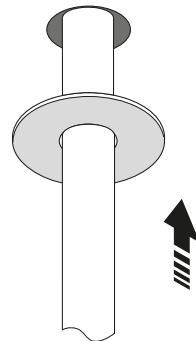
- ▶ Insert fixing screws through holes in Wall Brackets and fix to wall. Do not fully tighten. Use template to set correct distances between Wall Brackets. Fully tighten screws. Use longer fixing screws if using spacers supplied.



- ▶ **Note!** Slots in Wall Brackets allow for adjustment. Use one horizontal slot and one vertical slot. Make sure that holes for Slide Bar Securing Screws are positioned correctly, as shown.

- ▶ Fit ceiling plate and extension tube.

- ▶ **Note!** Extension tube may need to be shortened, use a hacksaw to shorten tube. Make sure rough end is concealed in ceiling.





- ▶ Fit Slide Bar Assembly over Wall Brackets and secure with screws supplied. (Do not overtighten.)

- ▶ Connect ceiling extension tube.

- ▶ Feed plastic pipe up through the slide bar and extension into ceiling. Do not allow any debris to block the plastic pipe.

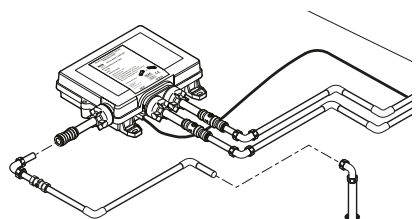
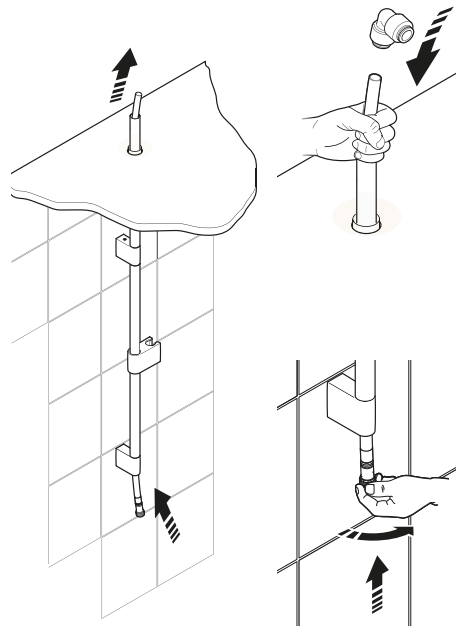
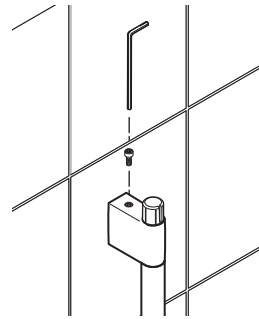
- ▶ **Note!** If plastic pipe requires shortening, make sure there is enough length to fit elbow (supplied) or alternative push-fit/compression fitting (not supplied).

- ▶ When shortening for use with any push-fit (e.g. John Guest) fitting, follow manufacturer's guidelines for finishing and cleaning the pipe.

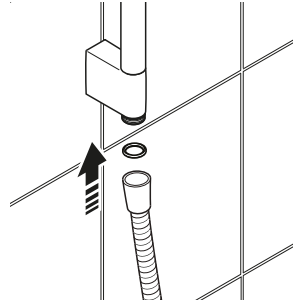
- ▶ Push and twist plastic pipe end until it “**clicks**” and locks in place.

- ▶ Connect plastic pipe in ceiling to outlet pipe from valve using elbow supplied. Push all parts together fully.

- ▶ Connect elbow to Digital Mixer Valve. Fit an isolating valve between to enable easy maintenance. (Pipe and isolating valve not supplied). Lock pipe to elbow using clip supplied. Follow manufacturer's guidelines for fitting alternative push-fit connections and flexible pipework.



- ▶ Place first washer in end of hose, then attach to pipe end. Do not fit showerhead until after pipework has been fully flushed through. See section “**Commissioning**”.

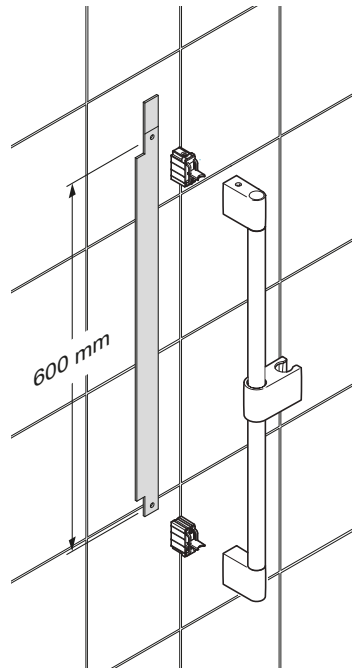


## Shower Fittings - Rear Fed

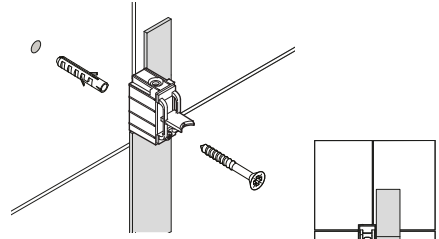
Suitable for solid, dry-lined, stud partition, shower cubicle or laminated panel walls.

The Slide Bar should be fixed to the wall at a convenient height for all the family. It should be positioned so that water sprays down the centre of the bath, or away from the opening of a shower cubicle. Water should spray away from the Wireless Controller when the Showerhead is held on the Slide Bar.

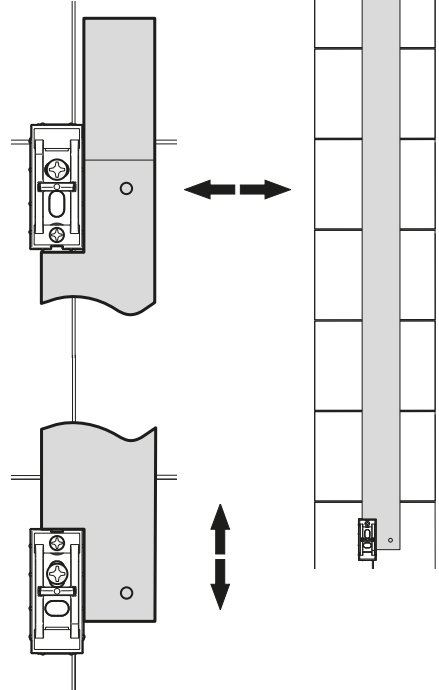
- ▶ Decide on suitable position for Slide Bar avoiding buried cables and pipes in wall.
- ▶ Using template as guide, mark positions of the fixing holes for Wall Brackets (600 mm).
- ▶ **Note!** Use spirit level to make sure fixing holes are vertical.
- ▶ Drill and plug fixing holes.



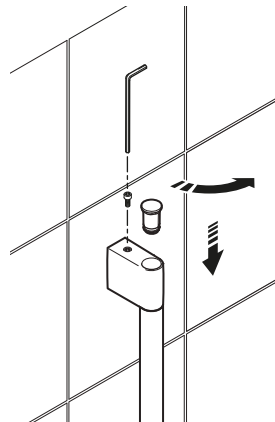
- ▶ Insert fixing screws through holes in Wall Brackets and fix to wall. Do not fully tighten at this stage. Use template to set correct distances between Wall Brackets. Fully tighten screws.



- ▶ **Note!** Slots in Wall Brackets allow for adjustment. Use one horizontal slot and one vertical slot. Make sure that holes for Slide Bar Securing Screws are positioned correctly, as shown.



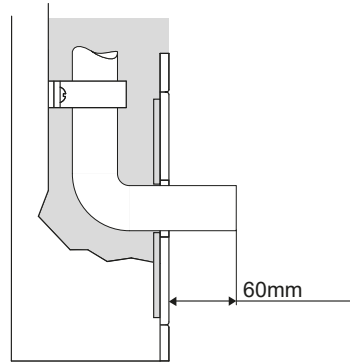
- ▶ Position Slide Bar over Wall Brackets and secure with screws. (Do not overtighten.)
- ▶ Fit Slide Bar End Caps into top and bottom of Slide Bar Assembly. Push and twist caps until they “click” and lock in place.



- ▶ Fit an isolating valve (not supplied) close to the Digital Mixer Valve for ease of maintenance.

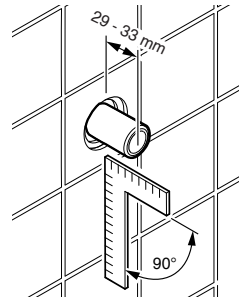
- ▶ Make sure that the outlet pipe work protrudes approx. 60 mm through a Dia 20 mm hole square to the finish wall surface.

**NOTE!** To be trimmed after completion of finished wall surface when installing RAC.

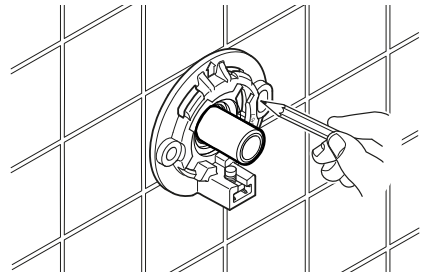


- ▶ Finish the surface of the wall as required.

- ▶ Trim the pipework back to the required depth from the finished wall surface. Remove all burrs and sharp edges.



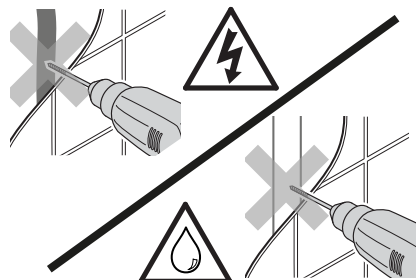
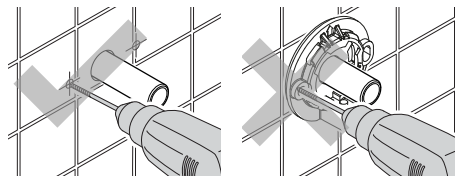
- ▶ Disassemble the right angle connector assembly and mark the locations of the screw fixings.



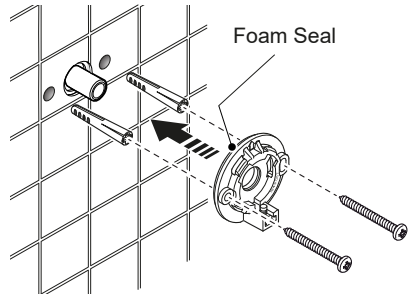
- ▶ Drill the fixing holes. (7 mm diameter for screws supplied.)

**DO NOT** drill through the backplate into the wall.

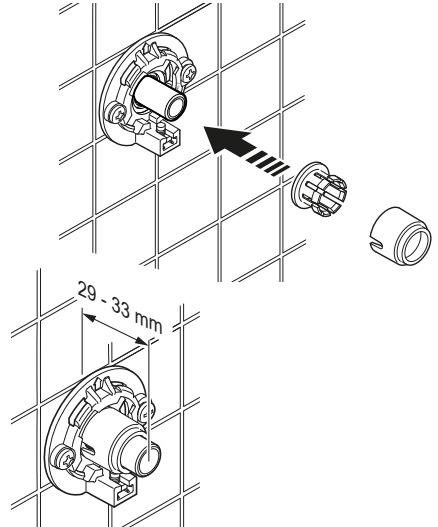
**DO NOT** drill into buried cables or pipes.



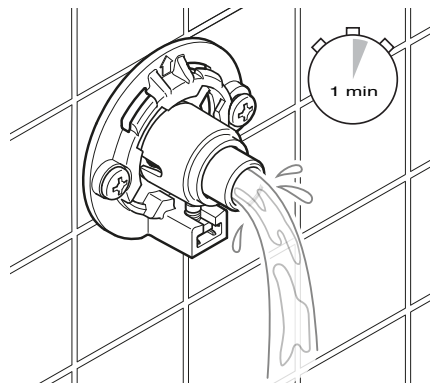
- ▶ Secure the backplate to the wall so the foam seal is fully compressed.



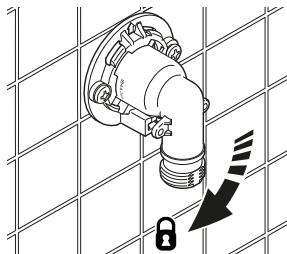
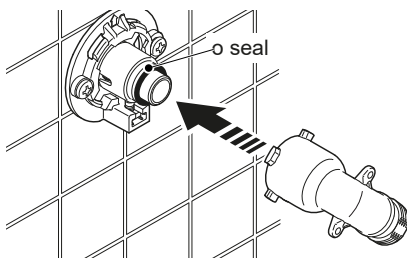
- ▶ Fit the pipe collar and lock. Re-check the pipe length.



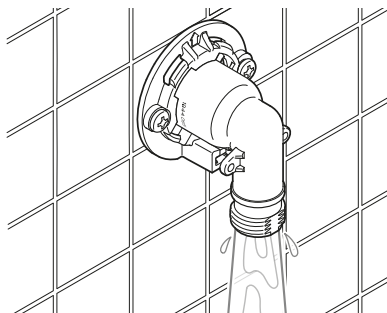
- ▶ Flush pipework to clear all debris.



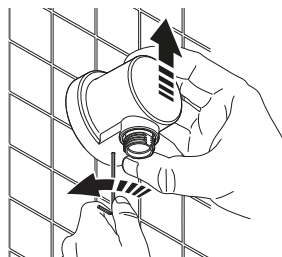
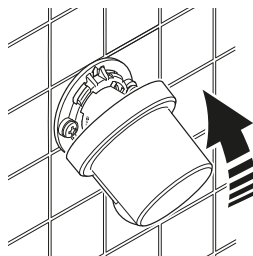
- ▶ Fit the o seal and elbow.



- ▶ Check for leaks.



- ▶ Fit the cover. Carefully lift the cover to locate the screw. Unscrew fully to lock using the 2.5 mm hex key supplied.



## Wireless Controller

Suitable for solid, dry-lined, stud partition, shower cubicle or laminated panel walls. The Wireless Controller should be fixed to the wall at a convenient height for all the family. It should be positioned so that water does not spray over it when the Showerhead is held on the Slide Bar.

**Important! Make sure wireless signal has been tested between Wireless Controller and Digital Mixer Valve before permanently fixing to wall. See section 'INSTALLATION - Digital Mixer Valve: Position and Signal Test'.**

- ▶ Mark position for backplate holes. Mount backplate on flat surface (e.g. Centre of tile). Drill and plug holes.

**Caution! Avoid drilling through buried cables or pipes.**

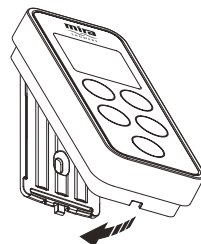
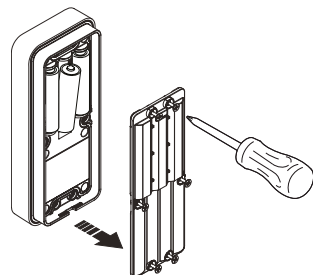
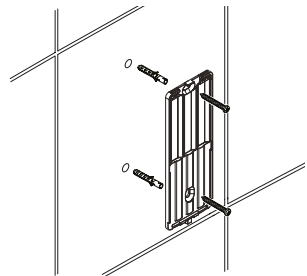
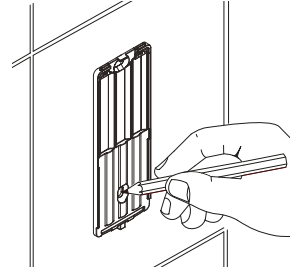
- ▶ Make sure surface is clean and dry. Fix backplate to finished wall surface.

- ▶ Turn controller over and remove the battery cover by loosening the 4 screws with a pozi drive screwdriver. **Note!** The screws remain attached to the battery lid.

- ▶ Only fit new batteries of same make and type. Do not use rechargeable batteries. Replace all three batteries at the same time.

- ▶ Secure battery cover.

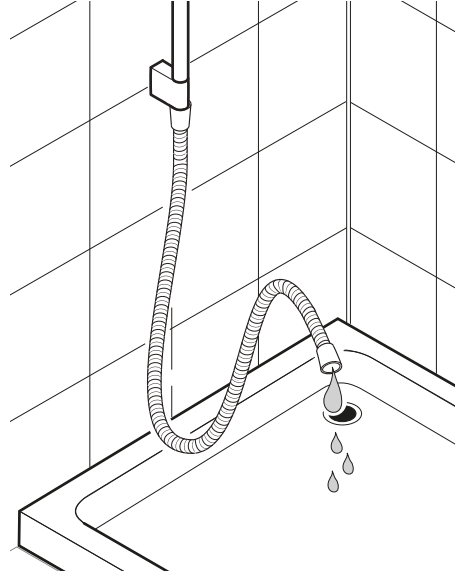
- ▶ Hook Controller on top of backplate and push firmly until Controller "clicks" back into place.



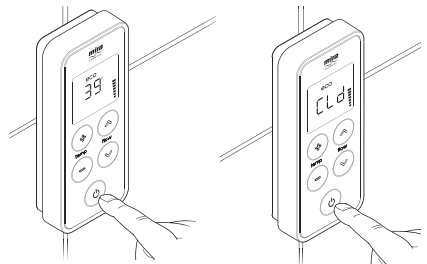
# COMMISSIONING

- ▶ Turn on electrical supply to Digital Mixer Valve.

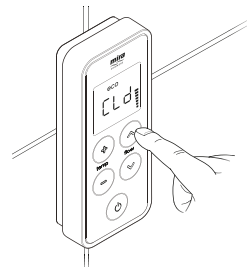
- ▶ Make sure the end of the hose is in either the bath, shower tray or other water catchment area.



- ▶ Press “⏻” button and reduce temperature to full cold “CLd”. Press “^” to increase to full flow. For Low Pressure (pumped) version, let shower run in order to prime the pump. For long pipe runs, allow 3 - 4 minutes for priming.



- ▶ **Caution! Risk of product damage.** Do not run Pumped Valve (low pressure version) without a water supply for longer than 5 minutes during priming.





▶ Run cold water through (approximately 2 minutes) and check entire installation for water leaks. Press “⏻” to turn shower off. Fit the second hose washer and showerhead.

▶ Press “⏻” to turn shower on. Test operation of shower by increasing/decreasing both temperature and flow controls. (See User Guide for full details.)

▶ Test operation of showerhead spray modes. (See Showerhead User Guide for full details.)

▶ Refer to User Guide for further instructions on how to use the shower.

▶ The Wireless Controller factory default settings are as follows:

Maximum Showering Temperature = 45°C

Eco Mode = Off

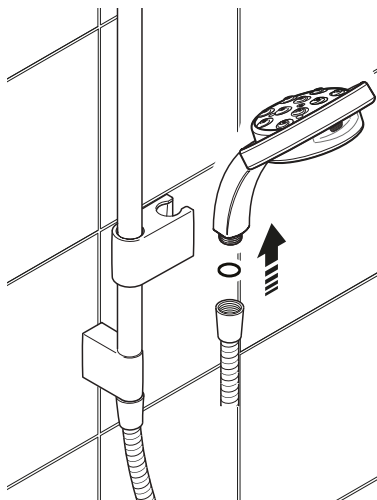
Warm-Up Mode = Off

Clock = 10:00 (when batteries connected)

Clock Display = On

▶ Run the shower and adjust the maximum shower temperature to suit user requirement.

▶ Eco, warm-up and clock display can also be altered to suit, refer to wireless controller guide.

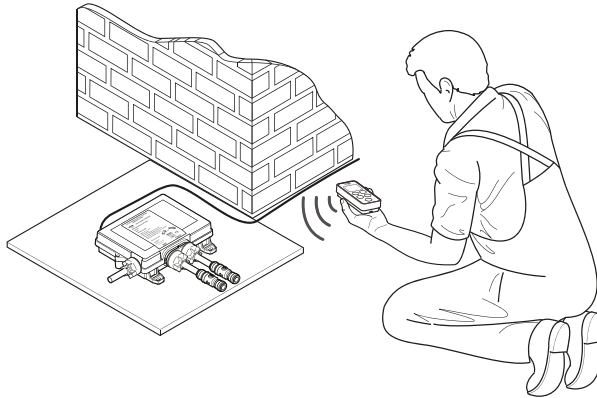


# CONNECTING A SECOND WIRELESS CONTROLLER

The following procedure details how to assign the Wireless Controller to the Digital Mixer Valve and test the remote signal strength.

**Note!** Other radio signals from sources such as mobile phones, radio controlled boiler thermostats, wireless broadband etc. can dramatically reduce the ability of the digital mixer valve to register.

It is recommended that such items are switched off during this process.



- ▶ Isolate electrical supply to the digital mixer valve.
- ▶ Bring the wireless controller to within approximately 1 m of the digital mixer valve. Fit the three AA batteries supplied into the wireless controller.
- ▶ Ensure the wireless controller LCD lights up then switch on power to the digital mixer valve.
- ▶ Depending on the type and version of your wireless controller, the software revision number (eg. r04) may be briefly displayed, the controller will then display its default time of 4:00 (unregistered).

The digital mixer valve will now begin to make a noise as it resets itself and registers with the wireless controller.

- ▶ Droplet symbol is displayed for approximately 30 seconds. Do not remove the batteries or switch off the digital mixer valve. Droplet symbol goes out indicating the digital mixer valve and wireless controller have been assigned to each other.
- ▶ Place wireless controller in approximate final position (no more than 10 m (free air) from digital mixer valve) and test wireless signal by pressing “ $\psi$ ”, and adjusting the temperature. If temperature display remains unchanged and “**out of range**” symbol is displayed, units are unable to communicate with each other.
- ▶ If test fails, reposition the controller closer to the digital mixer valve and repeat test until satisfied the shower will work reliably at all times.



Droplet  
Symbol



Out of Range  
Symbol

# RE-REGISTERING

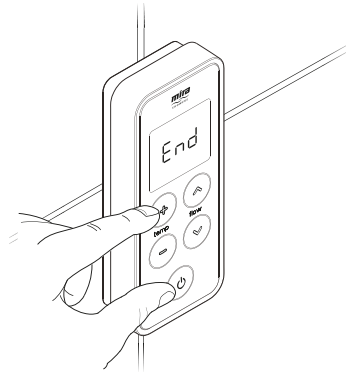
The wireless controller has previously been registered to the digital mixer at the factory, if communication problems are encountered, a re-registering of the wireless controller may be required.

A re-registering of the wireless controller must also be performed should the control PCB in the Digital Mixer Valve be replaced.

To re-register the wireless controller to the Digital Mixer Valve carry out the following sequence.

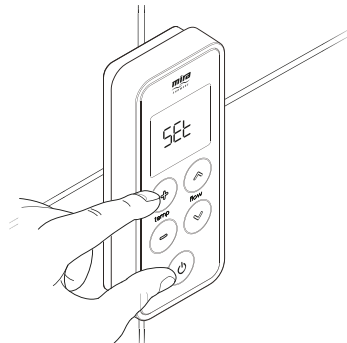
▶ Isolate power to the Digital Mixer Valve.

▶ Press “+” and “⏻” buttons simultaneously until “End” is displayed on the screen.



▶ Restore power to the digital mixer valve.

▶ Briefly press the “+” and “⏻” buttons, “SET” will be displayed on the screen.  
**Note!** If display reads “Err” press “⏻” and repeat the process.



# FAULT DIAGNOSIS

Read the section “**Important Safety Information**” first.

As with most electronic equipment resetting the mixing valve by powering it down waiting a few seconds then powering it up again can often cure any issues.


The Digital Mixer Valve is one part of an entire plumbing system. The fitting of a pump places additional requirements and some systems may require plumbing modifications to allow them to cope with higher flow rates.


Providing the Digital Mixer Valve has been correctly installed and is operated in accordance with the instructions contained in this guide, difficulties should not arise.

If any maintenance is required then it **must** be carried out by a competent tradesperson. Before replacing any parts make sure that the underlying cause of the malfunction has been resolved.



**Warning! There are no user serviceable components beneath the cover of the appliance. Only a competent tradesperson should remove the cover.**

**Loss of/or poor radio communication (out of range symbol  maybe illuminated on wireless controller**

| Symptoms  | Probable Cause   | Possible Remedy   |
|---|--|---|
| <p>Various faults or problems can be attributed to <b>Loss of / or poor radio communications</b></p>  | <p>The wireless controller batteries are flat or incorrectly fitted</p> <p>Aerial loose inside digital mixer box</p> <p>Digital mixer sited too far from the wireless controller</p> <p>Radio signal being blocked by building structure or other fixtures and fittings. Steel tanks, hot water cylinders, thick brick walls etc.</p> <p>External radio interference from other radio sources.</p> <p>Wireless controller lost registration.</p> <p>Digital Mixer valve box or Wireless Controller failure</p> | <p>Refer to “<b>Replacing the Batteries</b>” in the Wireless Controller User Guide</p> <p>Correctly fit the aerial inside the digital mixer box. (Isolate power before removing the Digital Mixing Valve lid)</p> <p>Reposition the digital mixer closer to the wireless controller or vice versa, refer to “<b>Position and Signal Test</b>”</p> <p>Physical environment requires altering, refer to “Important Information Regarding Radio Controlled Devices”</p> <p>Ensure all other radio transmitting devices, including mobile phones, are switched off, refer to “Position and Signal Test”</p> <p>Re-register the wireless controller, refer to “<b>Re-Registering</b>”.</p> <p>Contact Kohler Mira Ltd.</p> |

| Symptoms   | Probable Cause  | Possible Remedy   |
|--|---|---|
| <b>General Fault Diagnostics</b>                                     |   |   |
| No Display   | <p>The wireless controller batteries are flat or incorrectly fitted.</p> <p>Wireless controller failure.</p>  | <p>Refer to “<b>Replacing the Batteries</b>” in the Wireless Controller User Guide.</p> <p>Contact Kohler Mira Ltd.</p>   |
| No water flow / will not turn on (wireless controller display is on) | <p>HP/Combi valve fitted to a Pumped Gravity water system</p> <p>No power to the digital mixer</p> <p>Inlet water supply isolators not fully turned on</p> <p>Inlet water supply failure</p> <p>Inlet filters or check valves blocked</p> <p>Outlet hose or handset blocked</p> <p>Digital Mixing valve air locking</p> <p>Loss of / or poor radio communications (out of range symbol maybe illuminated on wireless controller).</p>  <p>Digital Mixer valve box or Wireless Controller failure</p> | <p>HP/Combi valves are not suitable for Pumped Gravity water system, refer to “<b>Typical Suitable Installation</b>”.</p> <p>Check electrical connection and power supply</p> <p>Check and remedy</p> <p>Check and remedy</p> <p>Check and remedy, refer to “<b>Maintenance</b>”</p> <p>Check and remedy</p> <p>Check for correct installation practices, repeat commissioning procedure and rearrange pipework to avoid airlock forming, refer to “<b>Typical Suitable Installations</b>”</p> <p>Refer to “<b>Loss of / or poor radio communications</b>” section above</p> <p>Contact Kohler Mira Ltd</p> |

| Symptoms                        | Probable Cause  | Possible Remedy  |
|---------------------------------|---|--|
| Low flow                        | Flow adjustment on wireless controller set too low  | Increase flow using user wireless controller bezel (Platinum models) or flow buttons (non-Platinum models), refer to <b>"Using The Shower"</b> in the Wireless Controller User Guide |
|                                 | Inlet water supply isolators not fully turned on  | Check and remedy   |
|                                 | Inlet filters or check valves blocked   | Check and remedy, refer to <b>"Maintenance"</b>  |
|                                 | Outlet hose or handset blocked  | Check and remedy   |
|                                 | Inlet Water pressures too low   | Check maintained water pressure is within recommended range, refer to "Specifications".  |
|                                 | Flow calibration (HP/Combi version only) not suitable for water system conditions         | Perform flow calibration procedure, refer to <b>"Changing Function Settings"</b> in the Wireless Controller User Guide   |
|                                 | Hot inlet flow regulator not suitable for water system conditions (HP/Combi version only) | Refer to <b>"Use of Flow Regulators"</b> for correct operation   |
|                                 | Digital Mixer valve air locking   | Check for correct installation practices, repeat commissioning procedure and rearrange pipework to avoid airlock forming, refer to <b>"Typical Suitable Installations"</b>           |
|                                 | Digital Mixer valve box installed above cold water storage cistern (Pumped valve only)    | No product fault. Appliance not suitable for negative head installation, refer to <b>"Installation"</b>  |
| Digital Mixer valve box failure | Contact Kohler Mira Ltd   |  |


| Symptoms  | Probable Cause  | Possible Remedy   |
|---|---|---|
| Keeps cutting out                                   | <p>“Eco” setting enabled. Eco reduces flow time to 5 minutes</p> <p>“Warm-up” setting is enabled. Warm-up stops the flow of water once the shower has reached the desired showering temperature</p> <p>“Shower run time” setting is enabled. Shower run time reduces the shower run time to a user defined time</p> <p>Loss of / or poor radio communications (out of range symbol maybe illuminated on wireless controller).</p>  <p>Digital Mixing valve air locking</p> <p>Digital Mixer valve box or Wireless Controller failure</p> | <p>No product fault, refer to “<b>using the shower</b>” in the Wireless Controller User Guide book and set as required</p> <p>No product fault, refer to “<b>using the shower</b>” in the Wireless Controller User Guide book and set as required</p> <p>No product fault, refer to “<b>using the shower</b>” in the Wireless Controller User Guide book and set as required</p> <p>Refer to “<b>Loss of / or poor radio communications</b>” section above</p> <p>Check for correct installation practices, repeat commissioning procedure and rearrange pipework to avoid airlock forming, refer to “<b>Typical Suitable Installations</b>”</p> <p>Contact Kohler Mira Ltd</p> |
| Temperature and flow control is not very responsive | <p>Loss of / or poor radio communications (out of range symbol maybe illuminated on wireless controller).</p>  <p>Digital Mixer valve box or Wireless Controller failure</p>   | <p>Refer to “<b>Loss of / or poor radio communications</b>” section above</p> <p>Contact Kohler Mira Ltd</p>  |

| Symptoms   | Probable Cause   | Possible Remedy  |
|--|--|--|
| Shower temperature too cool                            | Temperature adjustment on wireless controller set too low  | Increase the temperature by pressing the “+” button on the wireless controller, refer to “ <b>Using The Shower</b> ” in the Wireless Controller User Guide |
|  | Unable to increase showering temperature because maximum shower temperature set too low for installation | Increase “ <b>F1 - Maximum Water Temperature</b> ”, refer to “ <b>Changing Functions/ Settings</b> ” in the Wireless Controller User Guide                 |
|  | Inlet filters or check valves blocked  | Check and remedy, refer to “ <b>maintenance</b> ”  |
|  | Outlet hose or handset blocked   | Check and remedy   |
|  | Reversed inlet supplies  | Check and remedy   |
|  | Hot inlet water supply temperature is too cool   | Increase hot inlet water temperature to between 55°C and 65°C, refer to “ <b>Specifications</b> ”  |
|  | Insufficient quantity of stored hot water  | Hot water supply running out, increase storage capacity to minimum 120 litres, refer to “ <b>Specifications</b> ”  |
|  | Inlet water supply pressures are unstable or imbalanced  | Ensure the water supply pressures are stable and nominally equal, refer to “ <b>Specifications</b> ”   |
|  | Combination boiler cutting in and out (HP/Combi valve only)  | Refer to “ <b>Use of Flow Regulators</b> ” for correct operation   |
|  | Outlet pipe run is too long  | Ensure outlet pipe work is thermally lagged.   |
| Digital Mixer valve box or Wireless Controller failure | Contact Kohler Mira Ltd  |  |



| Symptoms  | Probable Cause  | Possible Remedy   |
|---|---|---|
| <p>Shower temperature too hot or fluctuates</p> | <p>Temperature adjustment on wireless controller set too high</p>   | <p>Increase the temperature by pressing the “-” button on the wireless controller, refer to <b>“Using The Shower”</b> in the Wireless Controller User Guide</p> |
|   | <p>Hot inlet water supply temperature is too hot</p>  | <p>Reduce hot inlet water temperature to between 55°C and 65°C, refer to <b>“Specifications”</b></p>  |
|   | <p>Inlet filters or check valves blocked</p>  | <p>Check and remedy, refer to ‘Maintenance’</p>   |
|   | <p>Combination boiler cutting in and out (HP/Combi valve only) causing blend temperature fluctuations</p>   | <p>Refer to <b>“Use of Flow Regulators”</b> for correct operation</p>   |
|   | <p>Inlet water supply pressures are unstable or imbalanced</p>  | <p>Ensure the water supply pressures are stable and nominally equal, refer to ‘Specifications’</p>  |
|   | <p>Shower temperature affected by the use of adjacent hot/ cold tap. Insufficiently sized pipework to feed both Digital Mixing Valve and taps at the same time.</p> | <p>Increase pipe sizes or separately feed shower, refer to ‘Installation’ for correct plumbing method</p>   |
|   | <p>The ‘Warm-up’ feature is being used with a combi boiler (HP/ Combi valve only) refer to ‘Use of Warm-up’</p>   | <p>Disable the ‘warm-up’ feature, refer to ‘Changing Functions’ in the Wireless Controller User Guide</p>   |
|   | <p>Digital Mixer valve box or Wireless Controller failure</p>   | <p>Contact Kohler Mira Ltd</p>  |

| Symptoms  | Probable Cause   | Possible Remedy  |
|---|--|--|
| <p>User Interface displaying Error 3 or Error 7 - Showering temperature has got too hot and the Digital Mixer has safely shutdown</p> | <p>Hot inlet water supply temperature is too high</p> <p>Combination boiler cutting in and out (HP/Combi valve only) causing blend temperature fluctuations</p> <p>Cold inlet water supply pressure too low or fluctuating</p> <p>Cold inlet water supply failure</p> <p>Inlet filters or check valves blocked</p> <p>Digital Mixing valve air locking</p> <p>Reversed inlet supplies</p> <p>Digital Mixer valve box failure</p> | <p>Reduce hot inlet water temperature to between 55°C and 65°C, refer to <b>“Specifications”</b></p> <p>Refer to <b>“Use of Flow Regulators”</b> for correct operation</p> <p>Ensure the water supply pressures are stable and nominally equal, refer to <b>“Specifications”</b></p> <p>Check and remedy</p> <p>Check and remedy, refer to <b>“Maintenance”</b></p> <p>Check for correct installation practices, repeat commissioning procedure and rearrange pipework to avoid airlock forming, refer to <b>“Typical Suitable Installations”</b></p> <p>Check and remedy</p> <p>Contact Kohler Mira Ltd</p> |
| <p>Internal Leaking</p>   | <p>Pumped Gravity LP valve fitted to a HP/Combi water system</p> <p>Digital Mixer valve box failure</p>  | <p>Pumped Gravity LP valves are not suitable for connection to HP/Combi water systems, refer to <b>“typical suitable installation”</b></p> <p>Contact Kohler Mira Ltd</p>  |

| Symptoms   | Probable Cause  | Possible Remedy  |
|--|---|--|
| <p>No shut off / Continuous flow / Shower Fitting Drain Down</p> | <p>Natural drain down of shower fittings</p> <p>Loss of / or poor radio communications (out of range symbol maybe illuminated on wireless controller).</p>  <p>Digital Mixer valve box failure</p> | <p>No Product Fault. It is natural for all shower outlets to continue to expel water for a short period of time after use. It is not uncommon for larger deluge shower heads, particularly those connected to long outlet pipe runs and therefore holding large volumes of water, to drain down water several hours after use due to the changes in the ambient temperature. We would therefore recommend that all water outlets are kept enclosed within the water catchment area.</p> <p>Refer to “<b>Loss of / or poor radio communications</b>” section above</p> <p>Contact Kohler Mira Ltd</p> |
| <p>Noise</p>   | <p>Digital Mixing valve air locking</p> <p>Water Hammer</p> <p>Amplified acoustic noise from the pump due to structure of wall or flooring mounting</p> <p>Digital Mixer valve box failure</p>  | <p>Check for correct installation practices, repeat commissioning procedure and rearrange pipework to avoid airlock forming, refer to “<b>Typical Suitable Installations</b>”</p> <p>Ensure all pipework is securely fixed, refer to “<b>Installation</b>”</p> <p>The type of wall or flooring the appliance is fixed to will affect the perceived noise level; solid walls will provide a quieter operation.</p> <p>Contact Kohler Mira Ltd</p>   |

# MAINTENANCE

## General

Read the section "Important Safety Information" first.

Before replacing any parts ensure that the underlying cause of the malfunction has been resolved.

If the shower is dismantled during installation or servicing then upon completion the product must be inspected to ensure there are no leaks.

**Warning! There are no user serviceable components beneath the cover of the appliance. Only a competent tradesperson should remove the cover.**

## Cleaning

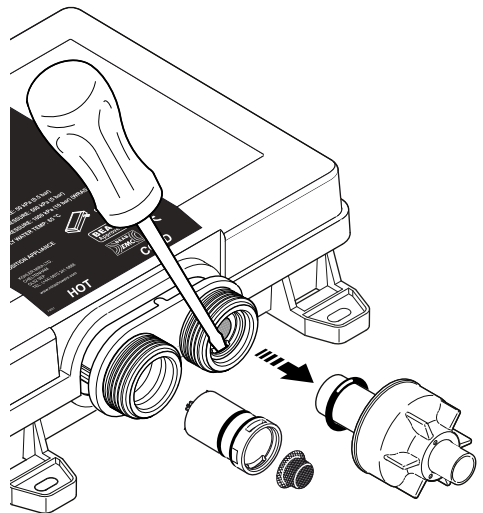
Many household cleaners contain abrasives and chemical substances, and should not be used for cleaning plated or plastic fittings. These finishes should be cleaned with a mild washing up detergent or soap solution, and then wiped dry using a soft cloth.

## Checkvalve Cartridges and Filters - Removal and Installation

Hot water entering the cold supply, or vice versa, indicates that immediate attention is necessary. This is carried out by removing and cleaning, or renewing as necessary, the checkvalve cartridges.

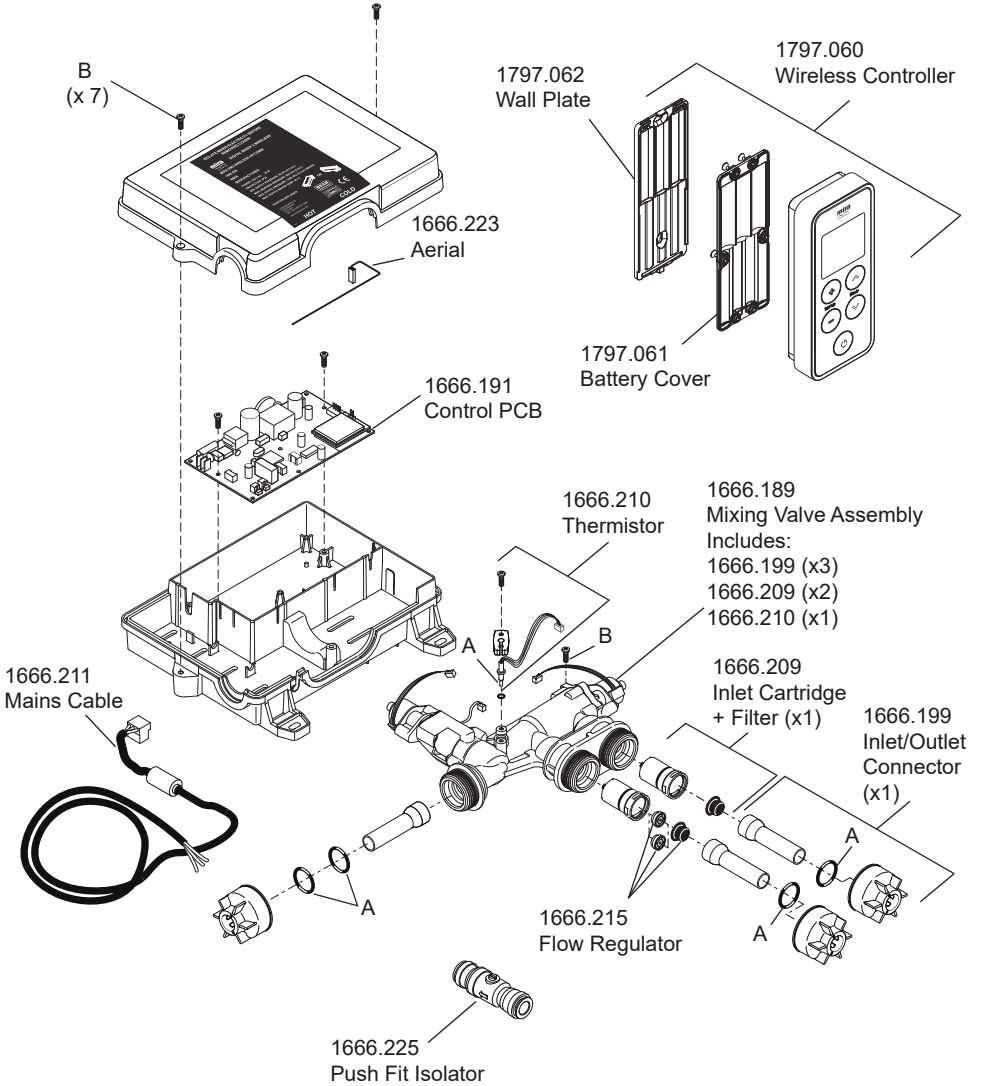
**Note!** Ensure for HP Mixer Valve that flow regulator is refitted in hot supply.

- ▶ Isolate the electrical and water supplies to the Digital Mixer Valve, and open an outlet fitting to release pressure and to assist the draining of residual water.
- ▶ Unscrew plastic nuts and either withdraw pipework or remove Digital Mixer to gain access to the checkvalve cartridges and filters.
- ▶ Use flat blade screwdriver to carefully lever cartridges out.
- ▶ Remove filters and clean or renew.
  
- ▶ Refit seals, pipes and plastic nuts. Plastic nuts require hand tightening only.
- ▶ Restore water supply and electrical supply. Test shower and check for leaks.



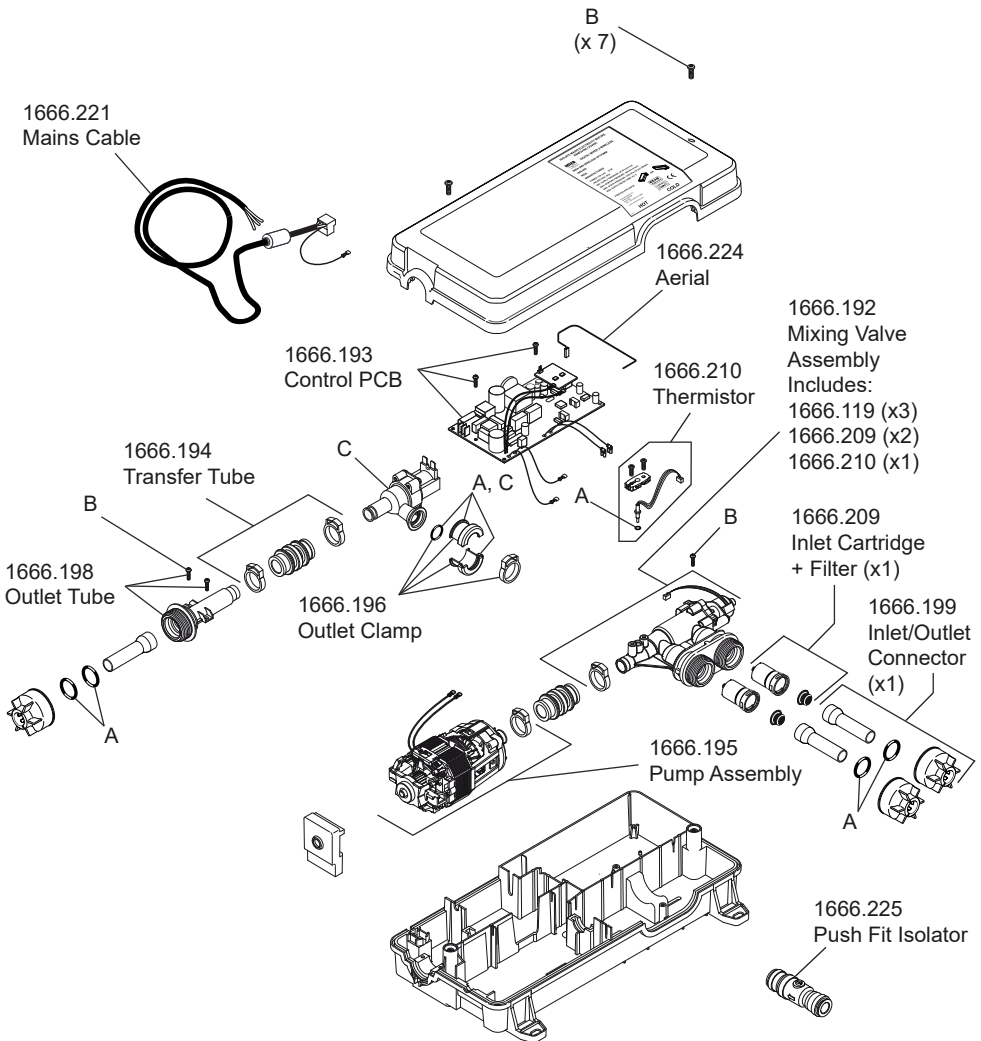
# SPARE PARTS

## Digital Mixer - High Pressure/Combi Valve



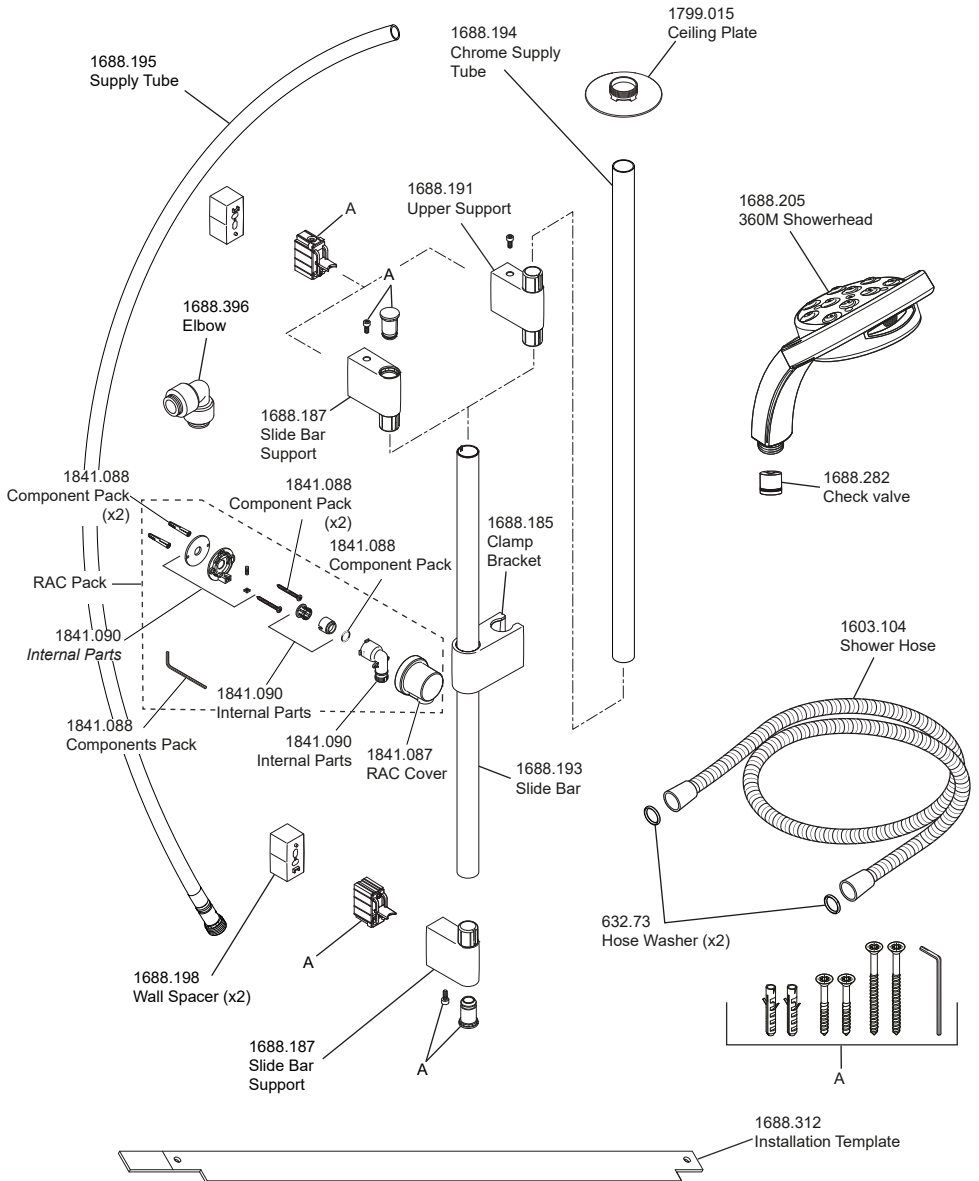
1666.212 Seal Pack - Components Identified 'A'  
 1666.213 Screw Pack - Components Identified 'B'

# Digital Mixer - Pumped Valve



- 1666.212 Seal Pack - Components Identified 'A'
- 1666.213 Screw Pack - Components Identified 'B'
- 1666.197 Solenoid - Components Identified 'C'

# Shower Fittings



1688.184 Seal and Screw Pack - Components Identified 'B'.  
 1688.190 Classic Fittings Component Pack - Components identified 'A'.

# DISPOSAL AND RECYCLING

## End of Product Life

When this appliance has reached the end of its serviceable life, it should be disposed of in a safe manner, in accordance with current local authority recycling, or waste disposal policy.

## Batteries

Spent batteries should not be disposed of with normal household waste. Contact your local authority for information on waste disposal and recycling.



This symbol on the product or its packaging indicates that this product should not be disposed of with your other household waste. Instead, it is your responsibility to dispose of your waste equipment by handing it over to a designated collection point for the recycling of waste electrical and electronic equipment. The separate collection and recycling of your waste equipment at the time of disposal will help to conserve natural resources and ensure that it is recycled in a manner that protects human health and the environment. For more information about where you can drop off your waste equipment for recycling, please contact your local council office, your household waste disposal service or the shop where you purchased the product.



# NOTES

# NOTES

# NOTES

# CUSTOMER SERVICE

## Guarantee

Your product has the benefit of our manufacture's guarantee which starts from date of purchase. This guarantee only applies in the United Kingdom and Republic of Ireland. To activate this guarantee, please return your completed registration card, visit our website or free phone 0800 5978551 within 30 days of purchase (UK only).

Within the guarantee period we will resolve defects in materials or workmanship, free of charge, by repairing or replacing parts or product as we may choose.

**This guarantee is in addition to your statutory rights and is subject to the following conditions :**

- The guarantee applies solely to the original installation under normal use and to the original purchaser only. The product must be installed and maintained in accordance with the instructions given in this guide.
- Servicing must only be undertaken by us or our appointed representative.  
**Note!** If a service visit is required the product must be fully installed and connected to services.
- Repair under this guarantee does not extend the original expiry date. The guarantee on any replacement parts or product ends at the original expiry date.
- For shower fittings or consumable items we reserve the right to supply replacement parts only.

**The guarantee does not cover:**

- Call out charges for non product faults (such as damage or performance issues arising from incorrect installation, improper use, inappropriate cleaning, lack of maintenance, build up of limescale, frost damage, chemical attack, corrosion, system debris or blocked filters) or where no fault has been found with the product.
- Water or electrical supply, waste and isolation issues.
- Compensation for loss of use of the product or consequential or indirect loss of any kind.
- Damage or defects caused if the product is repaired or modified by persons not authorised by us or our appointed representative.
- Routine maintenance or replacement parts to repaired or modified by persons not authorised by comply with the requirements of the TMV2 or repaired or modified by persons not authorised by TMV3 healthcare schemes
- Accidental or wilful damage.
- Products purchased ex-showroom display.

## What to do if something goes wrong

If your product does not work correctly refer to this manual for fault diagnosis and check that it is installed and commissioned in accordance with our instructions. If this does not resolve the issue, contact us for help and advice.



### Helpdesk Service

Contact our Customer Services Team for product advice, to purchase spare parts or accessories or to set up service visit. You can contact us via phone or e-mail - contact details below.

Please provide your model name, power rating (if applicable) and date of purchase.



### Mira Showers Website

([www.mirashowers.co.uk](http://www.mirashowers.co.uk))

Visit our website to register your guarantee, download user guides, diagnose faults, purchase our full range of accessories and popular spares, or request a service visit.



### Spares and Accessories

We hold the largest stocks of genuine Mira spares and accessories. Contact us for a price or visit our website to purchase items from our accessory range and popular spares. (Only available in the United Kingdom)



### Service/Repairs

No one knows our products better than our nationwide team of Service Technicians. We can carry out service or repair work to your product both during and after the guarantee period. (Only available in the United Kingdom and Republic of Ireland) Ask about our fixed price service repairs.

**To Contact Us: UK**



**0800 001 4040**



**Fax: 01242 282595**



Email – Visit

[www.mirashowers.co.uk/contactus](http://www.mirashowers.co.uk/contactus)



By Post: **Mira Customer Services Dept, Cromwell Road, Cheltenham, Gloucestershire GL52 5EP**

**To Contact Us: Eire Only**



**01 531 9337**



E-mail:

[CustomerServiceEire@mirashowers.com](mailto:CustomerServiceEire@mirashowers.com)

*Mira is a registered trade mark of  
Kohler Mira Limited.*

*The company reserves the right to alter  
product specifications without notice.*



**mira**  
SHOWERS

## **Check out our full range of Showers**

Electric Showers

Digital Showers

Mixer Showers

Power Showers

Smart Showers

Shower Towers

## **From Top Shower Brands**

Mira Showers

Aqualisa Showers

Triton Showers

Gainsborough Showers

## **Shower Pumps can upgrade your showering experience even more**

Stuart Turner Shower Pumps

Salamander Shower Pumps

Grundfos Shower Pumps

**plumbworld**  
**Big brands, small prices.**