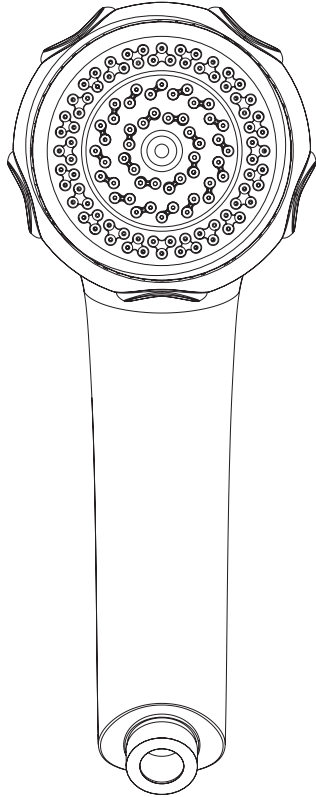


# ***mira***

**SHOWERS**



## **ADJUSTABLE HANDSET**

1540.266 & 1540.267

Accessory Pack

Installation

**THESE INSTRUCTIONS ARE TO BE LEFT WITH THE USER**



# Introduction

The Mira adjustable shower handset has four different spray actions: start, soothe, force and eco. It is suitable for most mixer showers and for electric showers over 8 kW.

The Mira adjustable shower handset is available in white, gold or chrome.

## System Applications

- Instantaneous gas heated systems
- Gravity-fed systems
- Mains pressure systems
- Pumped systems
- Electric showers

## Additional Features

- Adjustable showerhead with four spray patterns
- Visual indicators for spray settings
- Rub-clean rubber nozzles to remove scale build-up.
- Rubberised finger grips for easy adjustment.

## Alternative Nozzles

The showerhead has been fitted with low capacity spray nozzles, which are suitable for a pressure of 0.06–0.5 bar (0.6–5 m head). They are suitable for most shower installations, but for high-pressure installations the spray force may be too powerful for comfortable showering. In high-pressure installations, such as gas water heaters that require a higher flow rate to operate correctly, we recommend that high capacity spray nozzles be fitted.

High capacity spray nozzles are available free of charge by contacting Mira Customer Support on 0870 2410888.

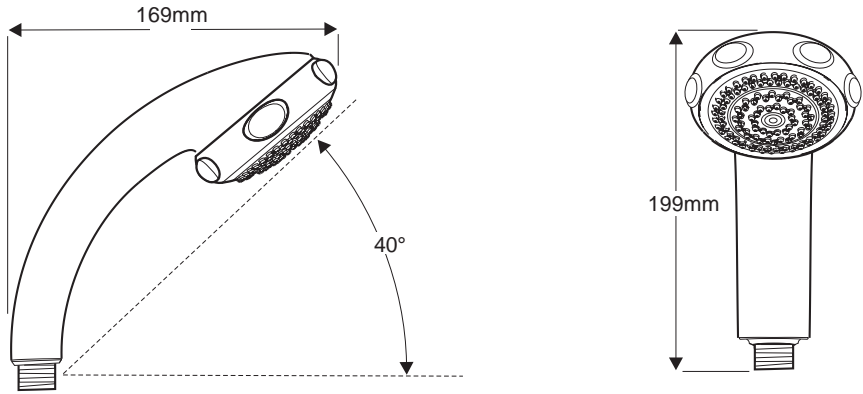
# Specification

1. Minimum maintained pressure: 6 kPa (0.06 bar).

Maximum static pressure: 500 kPa (5.0 bar).

Exceeding the stated maximum static pressure could result in excessive spray force and damage to the handset.

# Dimensions



*All dimensions are nominal and in millimetres*

# Installation

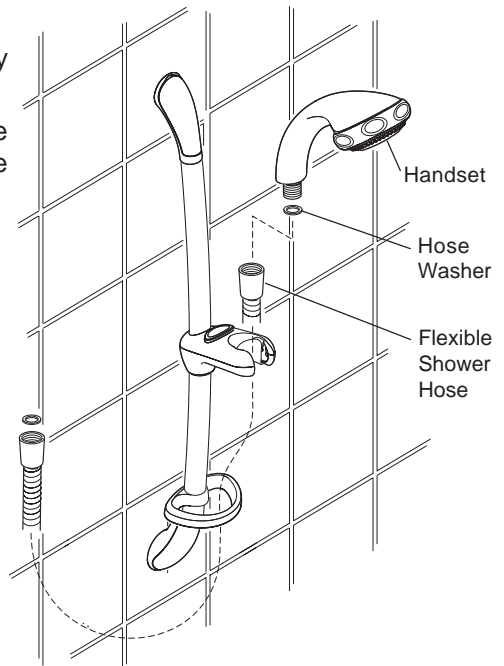
## Installation

1. Unscrew the existing handset from the flexible shower hose.

**Note!** The hose and handset may have water in them.

2. Screw the handset into the flexible shower hose. If there is a hose washer, be careful to retain it.

**Caution!** Do not overtighten.

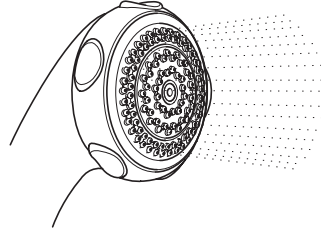


# Operation

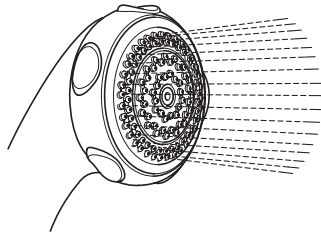
## Spray Settings

The handset has four spray settings: Eco, Start, Soothe, and Force.

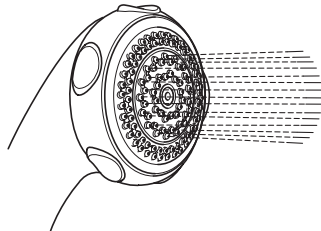
1. **Eco:** Water flows from the outer set of holes at a reduced flow rate.  
To select the Eco setting, turn the spray plate fully clockwise.



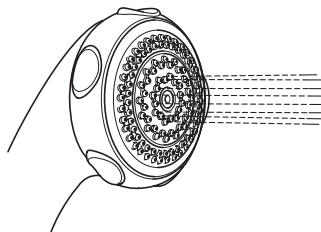
2. **Start:** Water flows from the outer set of holes.  
To select the Start setting, turn the spray plate anticlockwise from the full clockwise position until it clicks once.



3. **Soothe:** Water flows from the middle set of holes.  
To select the Soothe setting, turn the spray plate anticlockwise from the full clockwise position until it clicks twice.



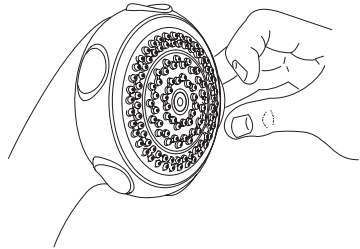
4. **Force:** Water flows from the inner set of holes.  
To select the Force setting, turn the spray plate anticlockwise from the full clockwise position until it clicks three times.



# Maintenance

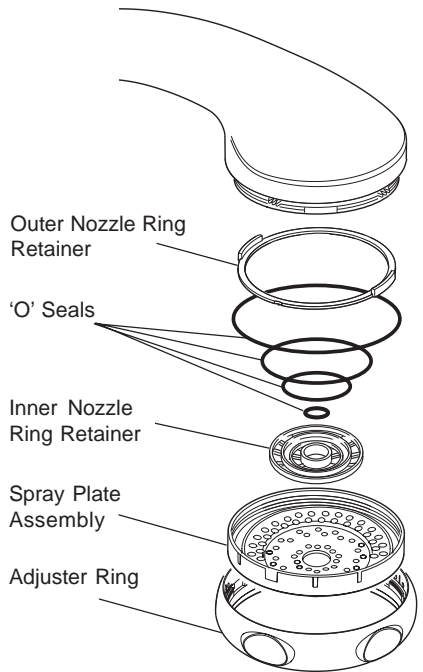
## Daily Cleaning

Use your thumb or a soft cloth to wipe any limescale from the soft rubber nozzles and the front face of the showerhead.



## Full Cleaning

1. Turn the adjuster ring fully anticlockwise.
2. Unclip and remove the adjuster ring.
3. Unscrew the spray plate assembly in an anticlockwise direction. The 'O' seals will provide some resistance.
4. Remove the inner and outer nozzle retaining rings.
5. Clean all of the components with a stiff brush.
6. If necessary, use a plastic kettle descaler to remove stubborn limescale, following the manufacturer's instructions.
7. If the 'O' seals are damaged, replace them with new 'O' seals. (Spare part number 450.08, available from Customer Services. See the back page for more information).
8. Refit the components in reverse order. Ensure that the 'O' seals and the inner and outer nozzle ring retainers are fitted correctly.



# Notes

# Customer Service

## Guarantee (Accessories)

Mira Showers guarantees this product against any defect of materials or workmanship for one year from the date of purchase.

Within the guarantee period we will resolve defects, free of charge, by repair or replacement as we may choose.

Not covered by this guarantee:

- Damage or defects arising from incorrect installation, improper use or lack of maintenance, including build-up of limescale.
- Damage or defects if the product is taken apart, repaired or modified by any person not authorised by Mira Showers or our approved agents.

Proof of Purchase will be required to support any guarantee claims.

This guarantee is in addition to your statutory and other legal rights.

Our Customer Services Team is comprehensively trained to provide every assistance you may need: help and advice, spare parts or a service visit.

As part of our quality and training programme calls may be recorded or monitored.

## Spare Parts

We maintain an extensive stock of spares, which can be purchased from approved stockists or merchants (locations on request) or direct from Customer Services.

Spares direct will normally be despatched within two working days. Payment can be made by Visa or Mastercard at the time of ordering. Should payment by cheque be preferred a pro-forma invoice will be sent.

**Note!** In the interests of safety, spares requiring exposure to mains voltages can only be sent to competent persons.

## Service

Our Service Force is available to provide a quality service at a reasonable cost. You will have the assurance of a Mira trained engineer/agent, genuine Mira spares – and a 12 month guarantee on the repair.

## To contact us

England, Scotland & Wales

**Mira Showers Customer Services**

Telephone: 0870 241 0888

8:30 am to 5:00 pm Working days (4:30 pm Friday)

8:30 am to 12.30 pm Saturday

E-mail: [technical@mirashowers.com](mailto:technical@mirashowers.com)

Fax: 01242 282595

By Post: Cromwell Road

Cheltenham

Gloucester

GL52 5EP

Northern Ireland

**Wm H Leech & Son Ltd**

Telephone: 028 9044 9257 – Mon to Fri 9 am-5pm

Fax: 028 9044 9234 – 24 hours

Post: Maryland Industrial Estate

Ballygowan Road

Moneyreagh, Co Down

BT23 6BL

Republic of Ireland

**Modern Plant Ltd**

Telephone: Dublin 01 4591344 – Mon to Fri 9am to 5pm

Fax: Dublin 01 4592329 – 24 hours

Post: Otter House

Naas Road

Clondalkin

Dublin 22

Mira Showers  
Kohler Mira Ltd  
Cromwell Road,  
Cheltenham GL52 5EP.

Mira is a registered trade mark.  
The company reserves the right to alter  
product specifications without notice.

[www.mirashowers.com](http://www.mirashowers.com)



BS EN ISO 9001 : 1994  
Reg. No. FM 14648

**mira**  
SHOWERS