



# Mira Platinum High Pressure & Pumped Single Outlet Digital Mixer

## Smart Showering, redefined and reimagined

### Product Information

| Description  | Colour | Product No. |
|--|--------|-------------|
| Mira Platinum, Rear Fed (High Pressure/Combi)                  | Chrome | 1.1981.001  |
| Mira Platinum, Rear Fed (Pumped for Gravity)                   | Chrome | 1.1981.004  |
| Mira Platinum, Ceiling Fed (High Pressure/Combi)               | Chrome | 1.1981.007  |
| Mira Platinum, Ceiling Fed (Pumped for Gravity)                | Chrome | 1.1981.010  |
| Mira Platinum, Valve and Controller only (High Pressure/Combi) | Chrome | 1.1981.013  |
| Mira Platinum, Valve and Controller only (Pumped for Gravity)  | Chrome | 1.1981.015  |

### Features & Benefits

#### Temperature control

Thermostatic temperature stability with digital intelligence

Digital user interface with temperature display

Maximum temperature setting for increased safety

Variable flow control

#### Easy to fit and maintain

Rear and ceiling fed options available for all types of installation

Supplied with a 3-pin power plug, reducing the need for complicated wiring

Push-fit isolators

Wireless User Interface

Long-life filters

#### For your customer

Award winning Mira 360 showerhead with 4 unique sprays

Connected Mira app offers secondary control and remote operation

User adjustable temperature and flow pre-sets using the Mira app

Additional wireless remote control sold separately

Connect to your smart home

Eco mode reduces water flow for more responsible water use



To download other resources, and for more information and advice on our products just visit:  
[www.mirashowers.co.uk](http://www.mirashowers.co.uk)



# Product Specification

## Tech Details

### Installation Units & Fittings

Water Entry Points - Back, Rear Fed; Top, Ceiling Fed

Inlet Connections: 15mm Push Fit (supplied) or 15 mm compression

Data connection to Digital Mixer: Wireless

### Digital Mixer

Inlet Connections: 15mm Push Fit (supplied) or 15 mm compression

Outlet connection: 15mm push fit (supplied)

Supply voltage: 230v +10%

Supply rating: 3 amp fused plug

### Supply Conditions (hot and cold)

Minimum maintained pressure: Pumped: 0.01 bar (10 cm head);  
High Pressure: 0.5 bar (5 metre head)

Maximum maintained pressure: Pumped: 1.0 bar (10 metre head);  
High Pressure: 5.0 bar (50 metre head)

Maximum static pressure: Pumped: 1.0 bar (10 metre head);  
High Pressure: 10.0 bar (100 metre head)

Cold water range: 1°C - 20°C

Hot water range: 55°C - 65°C

### Performance

Flow rate:

Default flow rate setting: 12 L/min (adjustable using the Mira app)

Minimum adjustable flow rate: 4 L/min (HP Product) or 6 L/min (Pumped Product)

The Digital Valve can deliver a maximum flow of 16 L/min at 1 bar (HP Product) or 12 L/min at 0.1 bar (Pumped Product).

The actual maximum flow will depend on the installation, system conditions and type of fittings. Refer to the 'Installation and User Guide' for more details.

### Safety Features

Over temperature shutdown: Yes

Factory set to safe maximum temperature at 45°C

### Approvals

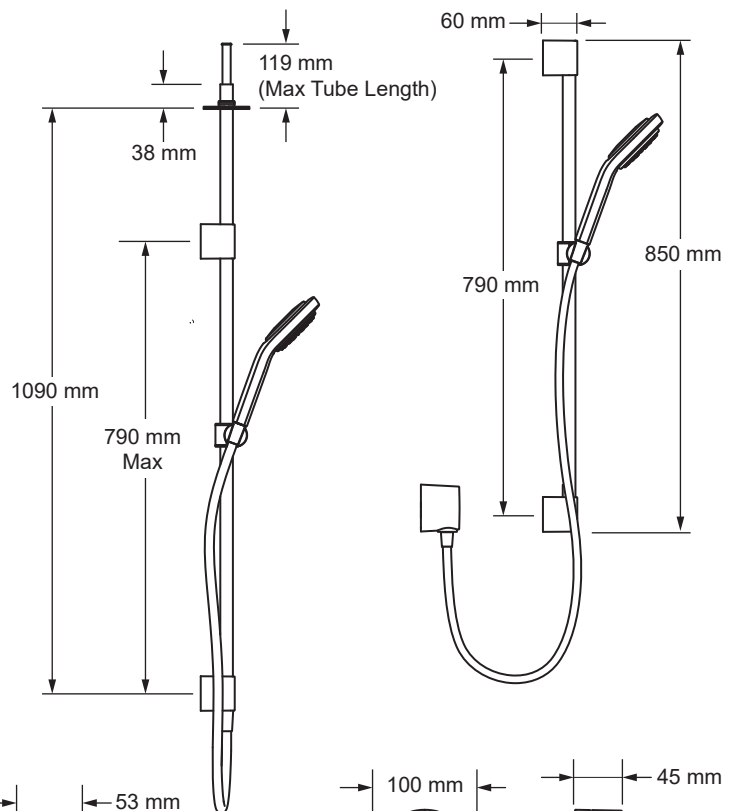
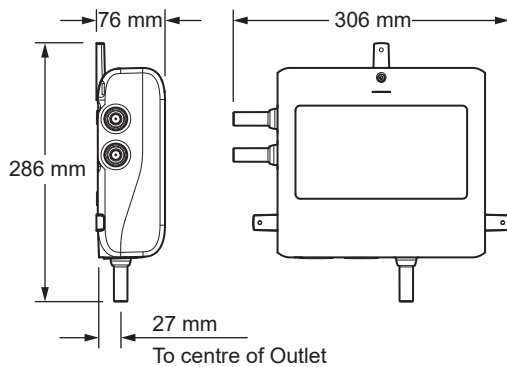
WRAS approved (Water Regulations Advisory Scheme)

BEAB approved

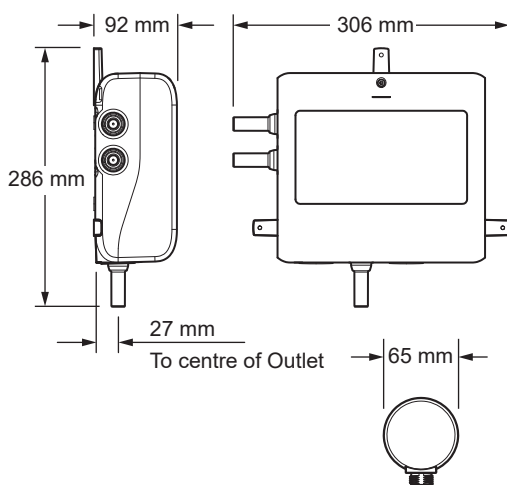


## Dimensions

### High Pressure, Single Outlet



### Pumped, Single Outlet



To download other resources, and for more information and advice on our products just visit:  
[www.mirashowers.co.uk](http://www.mirashowers.co.uk)

