



Mira Platinum High Pressure & Pumped Single Outlet Digital Mixer

Smart Showering, redefined and reimaged

Product Information

Description	Colour	Product No.
Mira Platinum, Rear Fed (High Pressure/Combi)	Chrome	1.1981.001
Mira Platinum, Rear Fed (Pumped for Gravity)	Chrome	1.1981.004
Mira Platinum, Ceiling Fed (High Pressure/Combi)	Chrome	1.1981.007
Mira Platinum, Ceiling Fed (Pumped for Gravity)	Chrome	1.1981.010
Mira Platinum, Valve and Controller only (High Pressure/Combi)	Chrome	1.1981.013
Mira Platinum, Valve and Controller only (Pumped for Gravity)	Chrome	1.1981.015

Features & Benefits

Temperature control

Thermostatic temperature stability with digital intelligence

Digital user interface with temperature display

Maximum temperature setting for increased safety

Variable flow control

Easy to fit and maintain

Rear and ceiling fed options available for all types of installation

Supplied with a 3 pin power plug, reducing the need for complicated wiring.

Push fit isolators

Wireless User Interface

Long life filters

For your customer

Award winning Mira 360 showerhead with 4 unique sprays

Connected Mira app offers secondary control and remote operation

User adjustable temperature and flow pre-sets using the Mira app

Additional wireless remote control sold separately

Connect to your smart home

Eco mode reduces water flow for more responsible water use



To download other resources, and for more information and advice on our products just visit:
www.mirashowers.co.uk



Product Specification

Tech Details

Installation Units & Fittings

Water Entry Points - Back, Rear Fed; Top, Ceiling Fed
 Inlet Connections: 15mm Push Fit (supplied)
 Data connection to Digital Mixer: BLE Wireless

Digital Mixer

Inlet Connections: 15mm Push Fit (supplied)
 Outlet connection: 15mm push fit (supplied)
 Supply voltage: 230v +10%
 Supply rating: 3 amp fused plug

Supply Conditions (hot and cold)

Minimum maintained pressure: Pumped: 0.01 bar (10 cm head);
 High Pressure: 1.0 bar (10 metre head)
 Maximum maintained pressure: Pumped: 1.0 bar (10 metre head);
 High Pressure: 5.0 bar (50 metre head)
 Maximum static pressure: Pumped: 1.0 bar (10 metre head);
 High Pressure: 10.0 bar (100 metre head)
 Cold water range: 1°C - 20°C
 Hot water range: 55°C - 65°C

Performance

Flow rate:
 Default flow rate setting: 12 L/min (adjustable using the Mira app)
 Minimum adjustable flow rate: 4 L/min (HP Product) or 6 L/min (Pumped Product)
 The Digital Valve can deliver a maximum flow of 16 L/min at 1 bar (HP Product) or 12 L/min at 0.1 bar (Pumped Product).
 The actual maximum flow will depend on the installation, system conditions and type of fittings. Refer to the 'Installation and User Guide' for more details.

Safety Features

Over temperature shutdown: Yes
 Factory set to safe maximum temperature at 45°C

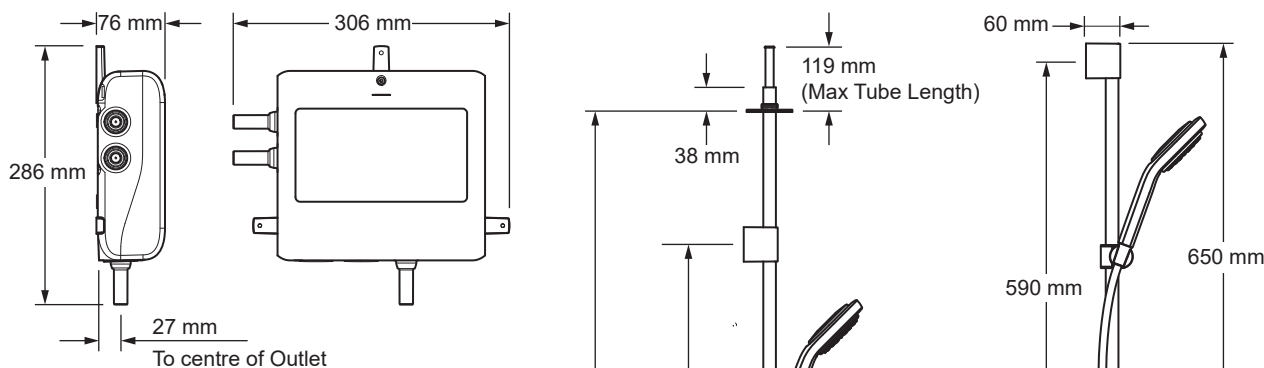
Approvals

WRAS approved (Water Regulations Advisory Scheme)
 BEAB approved
 KIWA Certified TMV2 approved

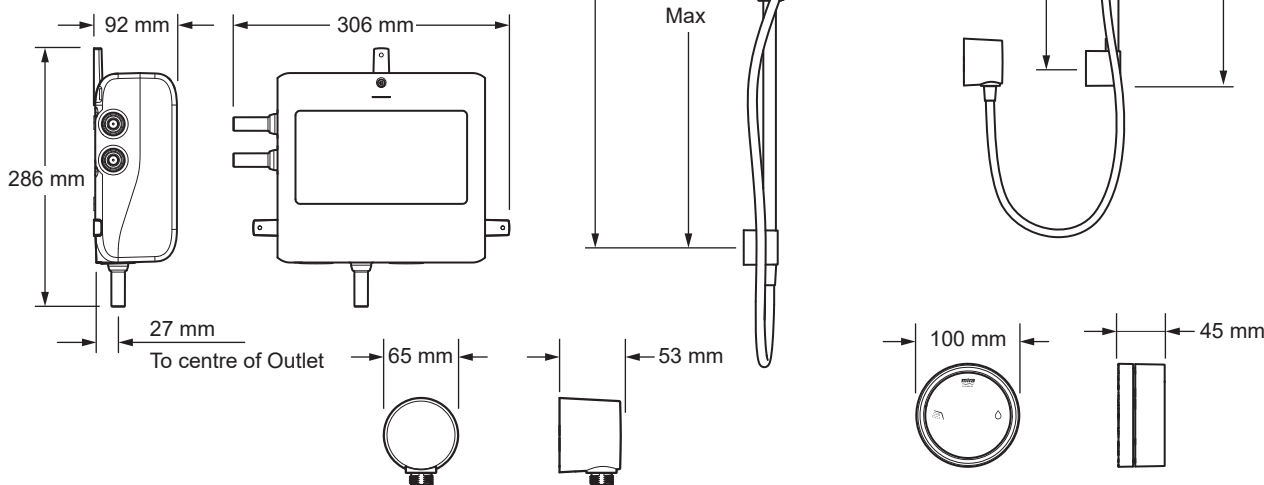


Dimensions

High Pressure, Single Outlet



Pumped, Single Outlet



To download other resources, and for more information and advice on our products just visit:
www.mirashowers.co.uk

