

# Mira Opero Dual

Mixer Shower



SUITABLE FOR ALL SYSTEMS



5 YEAR WARRANTY

Innovative Mira HydroGlo™ technology illuminates when your shower is at temperature.

## Product Information

| Description        | Colour         | Product No. |
|--------------------|----------------|-------------|
| Mira Opero Dual    | Chrome         | 1.1944.003  |
| Mira Opero Dual BL | Matt Black     | 1.1944.004  |
| Mira Opero Dual BN | Brushed Nickel | 1.1944.005  |

## Features & Benefits

### Temperature control

Thermostatic temperature stability with max temperature stop for increased safety

### Easy to fit

Pipe centers 50mm apart

Pipe spacer guide included to aid pipework installation during first fix

Front of tile installation system allows connection to pipework during second phase fix after tiling is complete

Multi-use tool supplied to aid installation

### For your customer

Works on all systems, even at low pressure

Separate flow and temperature controls using button actuation

Choose your outlet - intuitive push button technology allows you to select the handset, overhead or both

Mira Cool Shield™ to ensure valve doesn't get hot during showering

Mira Magni-flo™ technology delivers up to 3x more flow, even at low pressure

Divert between the 11cm 4-spray showerhead and the large 25cm deluge, both with rub-clean nozzles

1.25m flexible shower hose

Mira HydroGlo™ technology means the shower lights up when it reaches temperature - no wiring or batteries needed!

Swinging overhead riser

Retro fits over Mira Agile and Mira Pronta products



Also available in Matt Black & Brushed Nickel

# Product Specification

## Tech Details

### Temperature and flow control

Temperature control type: Thermostatic

Flow actuation: Push button

### Installation

Water entry points: Rear only

Inlet connections: Direct 15mm push fit connections

Outlet connections: ½" BSP Male

Reversed inlets supported: No = hot left, cold right only

### Supply Conditions (hot and cold)

Cold water range: 1°C to 25°C

Hot water range: Min 55°C; 60°C - 65°C (recommended)

Minimum maintained pressure (gas water heater) : 1 bar (10 metre head)

Minimum maintained pressure (gravity system) : 0.1 bar (1 metre head)

Maximum maintained pressure: 5.0 bar (50 metre head)

Maximum static pressure: 10.0 bar (100 metre head)

### Performance

Flow rate (at handset): 8.6 l/min at 0.5bar

Flow regulator: 9 l/min (supplied with product - x2)

Temperature stability: ± 2°C

### Safety Features

Automatic shutdown: Shutdown within 2 secs

Factory set to safe max temp

Adjustable maximum temperature for on-site conditions

### Approvals

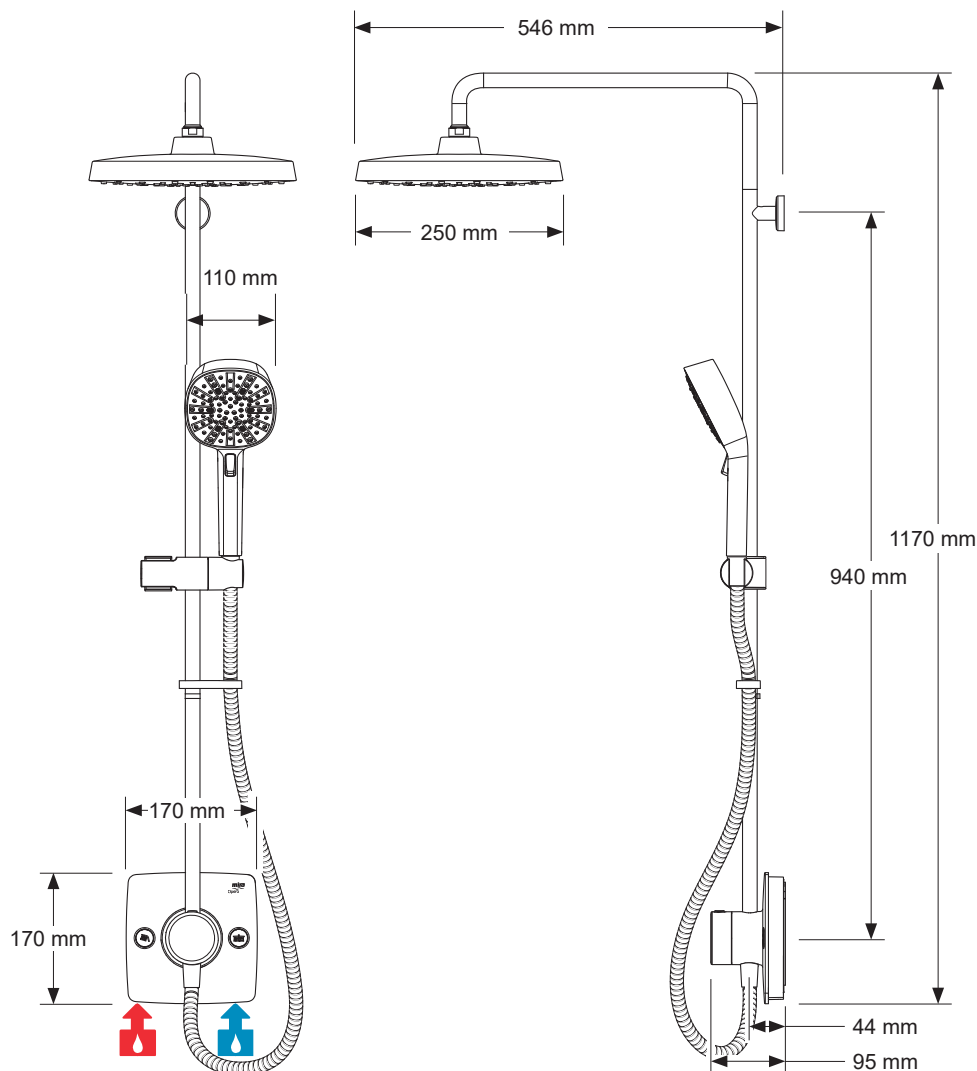
KIWA UK approved product

WRAS approved (Water Regulations Advisory Scheme)

TMV2 approved product



## Dimensions



## **Check out our full range of Showers**

Electric Showers

Digital Showers

Mixer Showers

Power Showers

Smart Showers

Shower Towers

## **From Top Shower Brands**

Mira Showers

Aqualisa Showers

Triton Showers

Gainsborough Showers

## **Shower Pumps can upgrade your showering experience even more**

Stuart Turner Shower Pumps

Salamander Shower Pumps

Grundfos Shower Pumps

**plumbworld**  
**Big brands, small prices.**